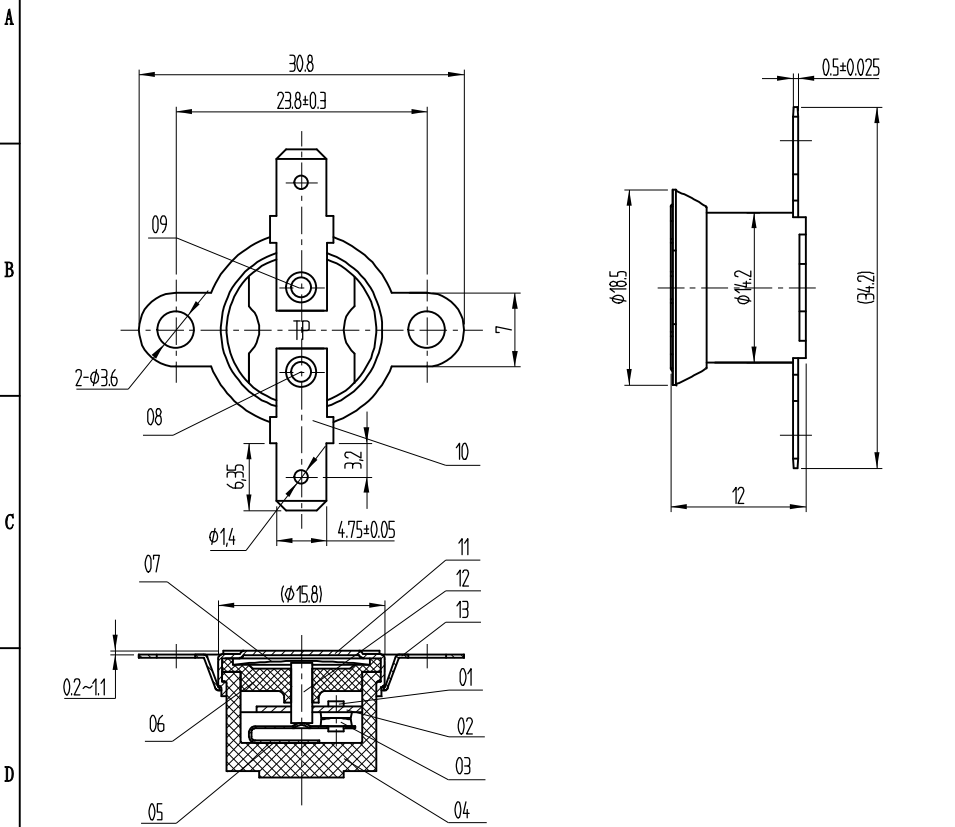




Customer:



Specification

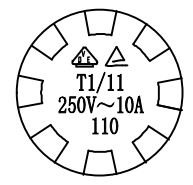
1. Standards According:GB14536.1-2008, GB14536.10-2008, GB/T22687-2008, UL873; EN60730-1, EN60730-2-9; IEC60730-1, IEC60730-2-9
2. Resistance between terminals:below 50mΩ at DC5V/0.25A (initial figure);
3. Insulated resistance:above 100MΩ with DC500V between terminals and cap ;
4. Dielectric strength: AC1500V for 1 minute between terminals and cap without breakdown ;
5. Heat resistant: 170°C;
6. The product meet with the orders of 2011/65/EU RoHS and the orders of 1907/2006/EC REACH;
7. Packing: 1 box=2000pcs=100pcs×20Bags, Box size: 470×340×220mm;
1 box=2000pcs=400pcs×5 box, Box size: 470×340×220mm.
8. the measurements no marking toletance, chose the free tolerance from below table.

free tolerance table

measurement range	0~9	9.1~16	16.1~30	>30
tolerance value	±0.2	±0.3	±0.4	±0.5

Type	Off Temp. (°C)	On Temp. (°C)	Contact State	Obtained standard and Electrical parameters	Remark
T1/11-110/60/A221B14H221	110±5	60±10	N. C	TuV 250V~10A (R50091097) UL 125V~10A (E202192) VDE 250V~10A (40019583)	

Marking:



No.	Parts Name	Qty.	Material	Remark
13	flange	1	SUS430	
12	Actuator Pin	1	Ceramic	
11	Cap	1	Aluminium	
10	Terminal	2	Brass	Nickel plated
09	Long Rivet	1	Brass	
08	Short Rivet	1	Brass	
07	Bimetal Disc	1	Bimetal	
06	Top Cover	1	PF	
05	Movable arm	1	Alloy copper	
04	Case	1	PF	
03	Movable Contact	1	AgNi/Cu (T2)	
02	Stationary arm	1	Brass	
01	Stationary Contact	1	AgNi/Cu (T2)	

Snap Action
Thermostat

SN: 20151102S2

Mark Qty. Content Signature
Designed
Reviewed
Approved

Sample	Qty.	Weight	Proportion

Page 1 of 1 Page

Foshan Tianpeng
Thermostats Co., Ltd.

Old No.
Base No.
Signature