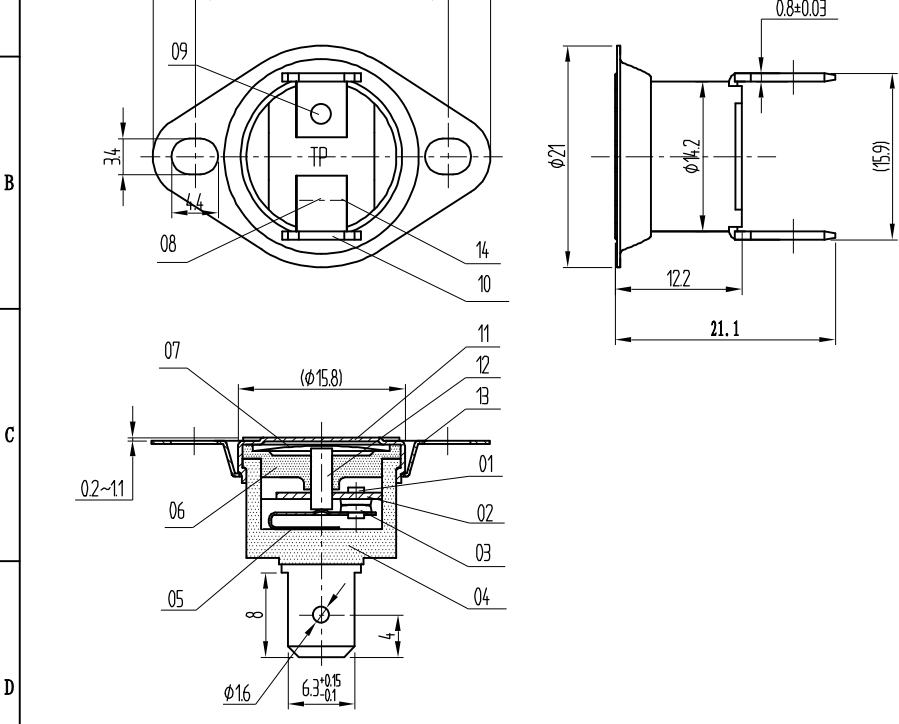
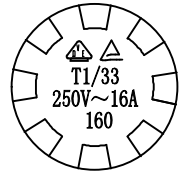




Customer:	Type	Off Temp. (°C)	On Temp. (°C)	Contact State	Obtained standard and Electrical parameters	Remark
	T1/33-160/145/E111B14H131	160±5	145±6	N. C	VDE 250V~16A (40019583) TuV 250V~16A (R50091107) UL 125V~16A (E202192)	



Marking:



Specification

- Standards According: GB14536.1-2008, GB14536.10-2008, GB/T22687-2008, IEC60730-1, IEC60730-2-9; EN60730-1, EN60730-2-9;
- Resistance between terminals: below 50mΩ at DC5V/0.25A (initial figure);
- Insulated resistance: above 100MΩ with DC500V between terminals and cap ;
- Dielectric strength: AC1500V for 1 minute between terminals and cap without breakdown ;
- Heat resistant: 230°C;
- The product meet with the orders of 2011/65/EU RoHS and the orders of 1907/2006/EC REACH;
- Packing: 1 box=2000pcs=100pcs×20Bags, Box size: 470×340×220mm; 1 box=2000pcs=400pcs×5 box, Box size: 470×340×220mm.
- the measurements no marking toletance, chose the free tolerance from below table.

free tolerance table

measurement range	0~9	9.1~16	16.1~30	>30
tolerance value	±0.2	±0.3	±0.4	±0.5

13	flange	1	SUS430	
12	Actuator Pin	1	Ceramic	
11	Cap	1	Aluminium	
10	Terminal	2	Brass	Nickel plated
09	Long Rivet	1	Steel	Tin plated
08	Short Rivet	1	Steel	Tin plated
07	Bimetal Disc	1	Bimetal	
06	Top Cover	1	EC	
05	Movable arm	1	Alloy copper	
04	Case	1	EC	
03	Movable Contact	1	AgNi/Cu (T2)	
02	Stationary arm	1	Brass	
01	Stationary Contact	1	AgNi/Cu (T2)	
No.	Parts Name	Qty.	Material	Remark
			Snap Action Thermostat	SN: 20151102S6
Mark	Qty.	Content	Signature	Sample Qty. Weight Proportion
Designed				
Reviewed				
Approved				
			T1/33	Page 1 of 1 Page
				Foshan Tianpeng Thermostats Co., Ltd.

Old No.
Base No.
Signature