



PoE+ INJECTOR, 802.3AT, 10/100/1000 Mbps, 30 WATT

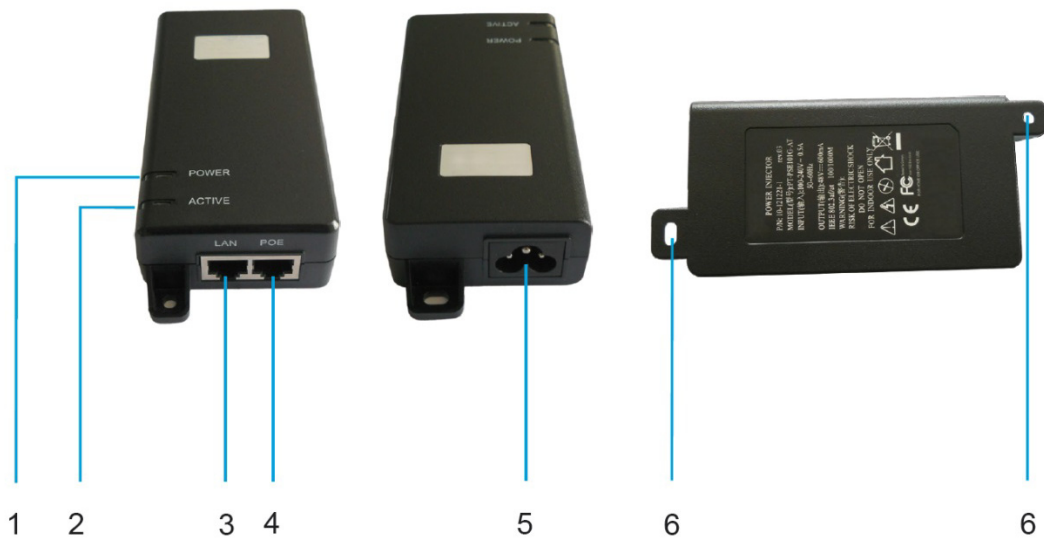


Manual DN-95103-2

The Digitus PoE Injector allows you to minimize cabling during installation of PoE-ready devices such as IP network cameras. Data supply and power supply to the devices is accomplished using a single Ethernet cable. This makes laying a separate power cable unnecessary and allows you to extend your network to places where there are no outlets or power cables. The Injector is completely compliant with the IEEE802.3at standard and delivers an output power of 30 watts.

DN-95103-2, it is the single-port 30w PoE injector with detection chip inside. The output voltage is 55VDC/550mA, output power 30W. It fully comply to IEEE802.3at standard, and only supply power for PoE standard PD such as, indoor wireless AP, network camera, IP phone...etc.

DN-95103-2 designed for indoor use only, works with input voltage 100VAC~240VAC. This power supply is connected to other equipment over Cat5/Cat5e, and the best effective distance is 100 M. It can work to 400meters with PoE extender. (PoE extender is not included)



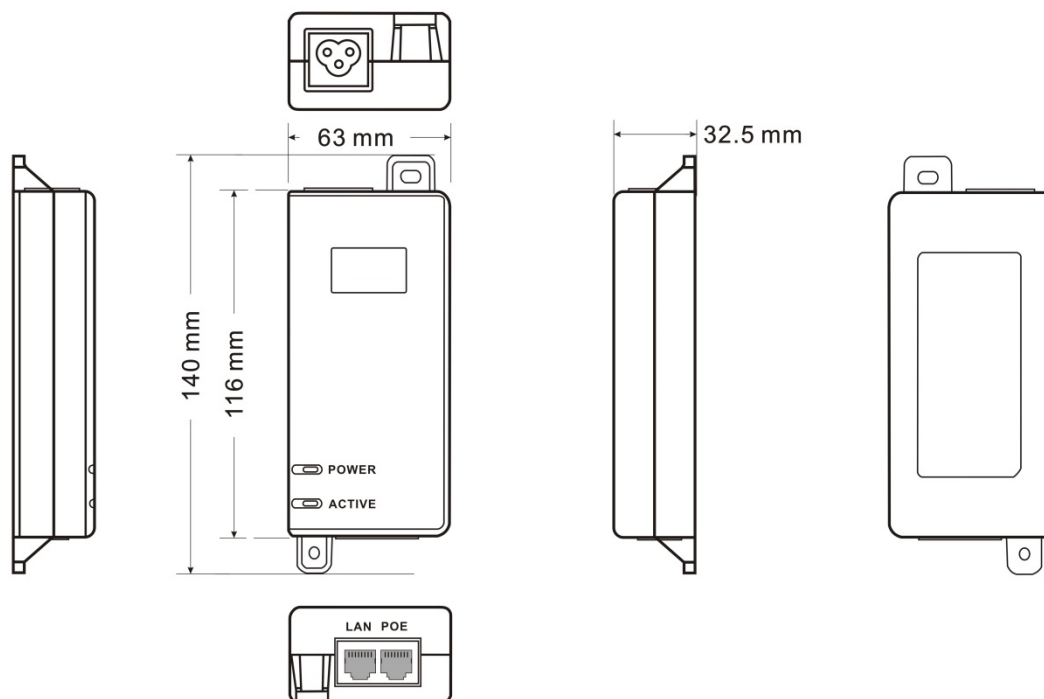
1. Power instruction
2. Load activations instruction
3. Data input port
4. PoE power output
5. AC power input
6. Mounting holes



MAIN SPECIFICATION

- Provide power with detection chip
- Output power: 30W
- Output current: 550mA
- Power Pin: 4.5+/7.8-
- Small size, high-power, lower cost
- Support power for IEEE802.3af/IEEE802.3at PD

OUTLINE DRAWING



SPECIFICATIONS

Standards

- IEEE802.3 10Base-T Ethernet
- IEEE802.3u 100Base-Tx Fast Ethernet
- Support 10/100/1000Base-T LAN
- Support IEEE802.3af/IEEE802.3at PD
- RoHS Compliant
- MTBF:100,000 h@ 25 °C

PoE power output

- Ethernet Pin Power: 4.5+/7.8-
- Data Rate: 10/100/1000Mbps
- Output power: 55VDC
- Output current: 550mA
- Input voltage: 100-240VAC
- Input current: 1.0A@100-240VAC
- AC Hz: 50-60Hz

Size & Weight

- Size: 140mm * 63mm* 32.5mm
- Weight: 200g

LED instructions

- AC power LED: GREEN
- ACTIVE Load LED: GREEN

Working Environment

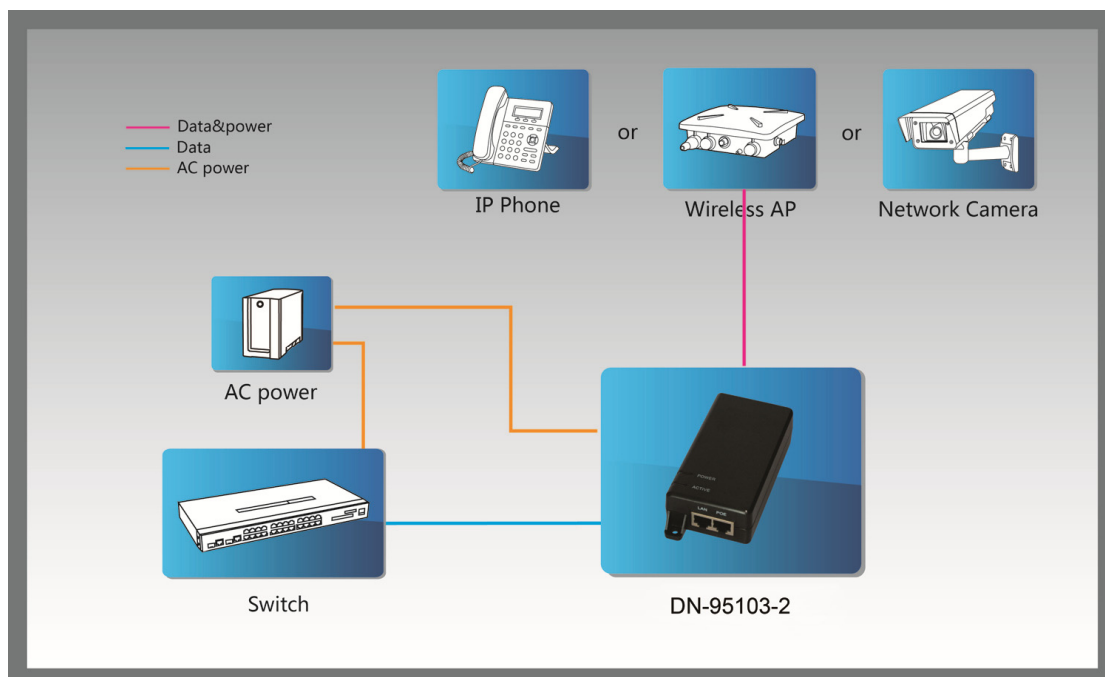
- Temperature: -5 to 45°C
- Height: -304.8 meter to 3048 meters
- humidity: Max to 90%, without Coagulation

AC Surge Protection

- 1.5KA (8/20us)
- 3KV (1.2/50us)

Package info. DN-95103-2, Power cable * 1, User Manual *1

APPLICATION PICTURE



Hereby Assmann Electronic GmbH, declares that the Declaration of Conformity is part of the shipping content. If the Declaration of Conformity is missing, you can request it by post under the below mentioned manufacturer address.

www.assmann.com
ASSMANN Electronic GmbH
Auf dem Schüffel 3
58513 Lüdenscheid
Germany

