

RJ45 connector - VS-PPC-C1-RJ45-MNNA-PG9-8Q5 - 1608016

Please be informed that the data shown in this PDF Document is generated from our Online Catalog. Please find the complete data in the user's documentation. Our General Terms of Use for Downloads are valid (<http://download.phoenixcontact.com>)



Push-pull connector (version 14), metal, with 8-pos. RJ45 QUICKON connector insert, with QUICKON fast connection technology, for 26 ... 22 AWG 1-wire and 7-wire conductors, for 5.0 mm ... 8.0 mm cable diameter

Push/pull connector



Key commercial data

package_quantity	1
GTIN	4046356131681

Technical data

Mechanical characteristics

Standards/specifications	IEC PAS 61076-3-117
Number of positions	8
Connection profile	RJ45
Locking type	Push Pull
Shielded	yes
Insertion/withdrawal cycles	≥ 250
Connection method	IDC fast connection
Conductor cross section	0.13 mm ² ... 0.32 mm ² (solid)
Conductor cross section	0.14 mm ² ... 0.36 mm ² (stranded)
Connection cross section AWG	26 ... 22 (solid)
Connection cross section AWG	26 ... 22 (stranded)
External cable diameter	5 mm ... 8 mm
Cable exit	straight
Color	silver

Ambient conditions

Ambient temperature (operation)	-40 °C ... 70 °C
---------------------------------	------------------

Material data

Flammability rating according to UL 94	V0
Housing material	Zinc die-cast
Housing surface material	Nickel-plated
Contact carrier material	PC
Contact material	Copper alloy

RJ45 connector - VS-PPC-C1-RJ45-MNNA-PG9-8Q5 - 1608016

Technical data

Material data

Contact surface material	Gold over nickel
O-ring material	NBR
Cable seal material	TPE
Material housing intermediate seal	NBR

Electrical characteristics

Number of positions	8
Nominal voltage U_N	50 V
Nominal current I_N	1.75 A
Transmission characteristics (category)	CAT5 (IEC 11801:2002)
GRP transmission properties	CAT5 (IEC 11801:2002)
Rated current	1.75 A
Overvoltage category	I
Degree of pollution	2
Contact resistance	0.001 Ω (Wire – IDC)
Contact resistance	0.005 Ω (Litz wires – IDC)

Standards and Regulations

Standards/regulations	IEC PAS 61076-3-117
Connection in acc. with standard	CUL
Flammability rating according to UL 94	V0

Classifications

eCl@ss

eCl@ss 4.0	272607xx
eCl@ss 4.1	27260701
eCl@ss 5.0	27260701
eCl@ss 5.1	27260701
eCl@ss 6.0	27260708
eCl@ss 7.0	27440312
eCl@ss 8.0	27440101
eCl@ss 9.0	27440101

ETIM

ETIM 3.0	EC001121
ETIM 4.0	EC001121
ETIM 5.0	EC002636

UNSPSC

UNSPSC 6.01	31261501
UNSPSC 7.0901	31261501
UNSPSC 11	31261501
UNSPSC 12.01	31261501

RJ45 connector - VS-PPC-C1-RJ45-MNNA-PG9-8Q5 - 1608016

Classifications

UNSPSC

UNSPSC 13.2	31261501
--------------------	----------

Approvals

UL Recognized / cUL Recognized / EAC / EAC / EAC / cULus Recognized /

Approval details

UL Recognized s	
Nominal voltage UN	50 V
Nominal current IN	1.75 A
mm ² /AWG/kcmil	22

cUL Recognized s	
Nominal voltage UN	50 V
Nominal current IN	1.75 A
mm ² /AWG/kcmil	22

EAC s

s

s

cULus Recognized s

Accessories

Protective cover

RJ45 connector - VS-PPC-C1-RJ45-MNNA-PG9-8Q5 - 1608016

Accessories

VS-PPC-F1-PC-POBK - 1405316



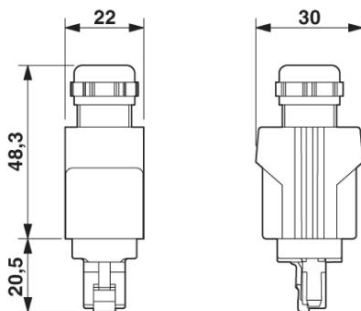
Accessories

VS-CABLE-STRIP-VARIO - 1657407



Drawings

Dimensional drawing



Push-pull RJ45 connector IP65/67

Phoenix Contact 2016 © - all rights reserved
<http://www.phoenixcontact.com>