

# Sensor/actuator box - SACB-4/ 8-L- 5,0PUR SCO - 1517107

Please be informed that the data shown in this PDF Document is generated from our Online Catalog. Please find the complete data in the user's documentation. Our General Terms of Use for Downloads are valid (<http://download.phoenixcontact.com>)



Sensor/actuator box, Application: Standard, Connection method: M12-SPEEDCON-socket Metal, Number of slots: 4, Number of positions: 5, Coding: A - standard, Slot assignment: Double, Status indication: Yes, pnp; Master cable connection: Fixed connection 180°, PUR/PVC, Cable length: 5 m, Shielding: No

## Your advantages

- Safety in the field, thanks to molded housing and high degree of protection
- Flexible, distributed bundling of signals in one master cable
- Convenient: increased machine availability thanks to quick and easy diagnostics
- Save space: distributor box with double occupancy for two sensors in one slot
- Save time, thanks to installation with SPEEDCON fast locking system



## Key commercial data

package_quantity	1
GTIN	4017918967772

## Technical data

### General

Rated voltage	24 V DC
Max. operating voltage $U_{max}$	30 V DC
Current carrying capacity per I/O signal	2 A
Current carrying capacity per slot	4 A
Total rated current	12 A
Number of positions	5
Number of slots	4
Sensor/actuator connection system	M12-SPEEDCON-socket

### Ambient conditions

Degree of protection	IP65
Degree of protection	IP67
Degree of protection	IP69K
Ambient temperature (operation)	-30 °C ... 90 °C
Ambient temperature (operation)	-40 °C ... 90 °C (for fixed installation)
Ambient temperature (operation)	-5 °C ... 80 °C (for flexible installation)

### Local diagnostics function

# Sensor/actuator box - SACB-4/ 8-L- 5,0PUR SCO - 1517107

## Technical data

### Local diagnostics function

Local diagnostics	Supply voltage per module Green LED
Local diagnostics	Status display I/O Yellow LED

### Master cable connection data

Connection method	Fixed connection
Length of cable	5 m
Tightening torque slot sensor/actuator cable	0.4 Nm
Tightening torque of mounting screw for fixing the housing	0.5 Nm

### Insulation material

Housing material	PBT
Material of the moulding mass	PUR
Contact material	Cu alloy
Contact surface material	Gold-plated
Contact carrier material	PA
Material of threaded sleeve	Zinc die-cast
Material of threaded sleeve surface	Nickel-plated
O-ring material	NBR

### Pin assignment

Slot/position = Wire color or connection	1 / 4 (A) = WH
Slot/position = Wire color or connection	1 / 2 (B) = GY/PK
Slot/position = Wire color or connection	2 / 4 (A) = GN
Slot/position = Wire color or connection	2 / 2 (B) = RD/BU
Slot/position = Wire color or connection	3 / 4 (A) = YE
Slot/position = Wire color or connection	3 / 2 (B) = WH/GN
Slot/position = Wire color or connection	4 / 4 (A) = GY
Slot/position = Wire color or connection	4 / 2 (B) = BN/GN
Slot/position = Wire color or connection	1-4 / 1 (+ 24 V) = BN
Slot/position = Wire color or connection	1-4 / 3 (0 V) = BU
Slot/position = Wire color or connection	1-4 / 5 (PE) = GN/YE

### Standards and Regulations

Standard designation	M12 connector
Standards/regulations	IEC 61076-2-101
Connection in acc. with standard	CUL

### Cable

Cable type	PUR/PVC black
Cable type (abbreviation)	PUR
Cable abbreviation	LiYY11Y-HF
UL AWM style	20549
Conductor cross section	8x 0.5 mm <sup>2</sup> (Signal line)
Conductor cross section	3x 1 mm <sup>2</sup> (power line)

## Sensor/actuator box - SACB-4/ 8-L- 5,0PUR SCO - 1517107

### Technical data

#### Cable

<b>AWG signal line</b>	20
<b>AWG power supply</b>	17
<b>Conductor structure signal line</b>	28x 0.15 mm
<b>Conductor structure, voltage supply</b>	56x 0.15 mm
<b>Core diameter including insulation</b>	1.5 mm ±0.1 mm (Signal line)
<b>Core diameter including insulation</b>	2.1 mm ±0.1 mm (power line)
<b>Overall twist</b>	Wires twisted in layers
<b>External sheath, color</b>	black RAL 9005
<b>Inner sheath thickness</b>	≥ 0.15 mm
<b>Outer sheath thickness</b>	≥ 0.38 mm
<b>External cable diameter D</b>	8.7 mm ±0.2 mm
<b>Minimum bending radius, fixed installation</b>	7.5 x D
<b>Minimum bending radius, flexible installation</b>	10 x D
<b>Number of bending cycles</b>	1500000
<b>Bending radius</b>	87 mm
<b>Traversing path</b>	2 m
<b>Traversing rate</b>	2 m/s
<b>Cable weight</b>	122 kg/km
<b>Outer sheath, material</b>	PUR
<b>Material, inner sheath</b>	PVC
<b>Material conductor insulation</b>	PVC
<b>Conductor material</b>	Bare Cu litz wires
<b>Nominal voltage, cable</b>	300 V
<b>Test voltage, cable</b>	2000 V
<b>Special properties</b>	Silicone-free
<b>Flame resistance</b>	DIN EN 50265
<b>Resistance to oil</b>	As per VDE 0472 Part 803
<b>Other resistance</b>	Highly resistant to acids, alkaline solutions and solvents
<b>Ambient temperature (operation)</b>	-40 °C ... 90 °C (cable, fixed installation)
<b>Ambient temperature (operation)</b>	-5 °C ... 80 °C (cable, flexible installation)

### Classifications

#### eCl@ss

<b>eCl@ss 4.0</b>	27140815
<b>eCl@ss 4.1</b>	27140815
<b>eCl@ss 5.0</b>	27143423
<b>eCl@ss 5.1</b>	27143423
<b>eCl@ss 6.0</b>	27143423
<b>eCl@ss 7.0</b>	27449001
<b>eCl@ss 8.0</b>	27279219

# Sensor/actuator box - SACB-4/ 8-L- 5,0PUR SCO - 1517107

## Classifications

eCl@ss

eCl@ss 9.0	27440108
------------	----------

ETIM

ETIM 2.0	EC000200
ETIM 3.0	EC001856
ETIM 4.0	EC002585
ETIM 5.0	EC002585

UNSPSC

UNSPSC 6.01	31261501
UNSPSC 7.0901	31261501
UNSPSC 11	31261501
UNSPSC 12.01	31261501
UNSPSC 13.2	31261501

## Approvals

EAC / UL Recognized / cUL Recognized / cULus Recognized /

### Approval details

<b>EAC s</b>
--------------

<b>UL Recognized s</b>	
Nominal voltage UN	24 V
Nominal current IN	3 A
mm <sup>2</sup> /AWG/kcmil	

<b>cUL Recognized s</b>	
Nominal voltage UN	24 V
Nominal current IN	3 A
mm <sup>2</sup> /AWG/kcmil	

cULus Recognized s
--------------------

## Accessories

**Protective cap**

## Sensor/actuator box - SACB-4/ 8-L- 5,0PUR SCO - 1517107

### Accessories

PROT-MS SCO - 1553129



---

### Device marking

SS-ZB 17,5 WH - 0804963



---

SS-ZB 17,5 YE - 0804976



---

### Labeled device marker

SS-ZB 17,5 WH CUS - 0824468



---

SS-ZB 17,5 YE CUS - 0824469



---

### Torque tool

## Sensor/actuator box - SACB-4/ 8-L- 5,0PUR SCO - 1517107

### Accessories

TSD 04 SAC - 1208429



TSD-M 1,2NM - 1212224



### Screwdriver tools

TSD-M SAC-BIT ADAPTER - 1212600



SAC BIT M12-D15 - 1208432



SACC BIT M12-D20 - 1208445



### Mounting rail adapter

# Sensor/actuator box - SACB-4/ 8-L- 5,0PUR SCO - 1517107

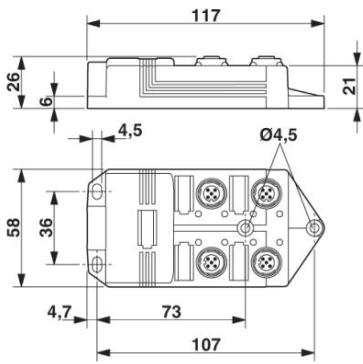
## Accessories

UTA 107 - 2853983

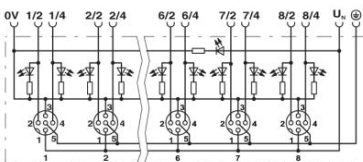


## Drawings

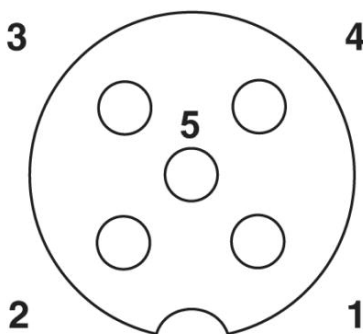
### Dimensional drawing



### Circuit diagram



### Schematic diagram



M12 slot, socket, 5-pos.

## Sensor/actuator box - SACB-4/ 8-L- 5,0PUR SCO - 1517107

Cable cross section



PUR/PVC black [PUR]

Phoenix Contact 2016 © - all rights reserved  
<http://www.phoenixcontact.com>