

Sensor/actuator box - SACB-4/ 8-L-M23 - 1692417

Please be informed that the data shown in this PDF Document is generated from our Online Catalog. Please find the complete data in the user's documentation. Our General Terms of Use for Downloads are valid (<http://download.phoenixcontact.com>)



Sensor/actuator box, Application: Standard, Connection method: M12 socket Plastic, Number of slots: 4, Number of positions: 5, Coding: A - standard, Slot assignment: Double, Status indication: Yes, pnp; Master cable connection: M23 plug connection 90°, Shielding: No

Your advantages

- Safety in the field, thanks to molded housing and high degree of protection
- Flexible, distributed bundling of signals in one master cable
- Convenient: increased machine availability thanks to quick and easy diagnostics
- Save space: distributor box with double occupancy for two sensors in one slot

Key commercial data

package_quantity	1
GTIN	4017918177874

Technical data

General

Rated voltage	24 V DC
Max. operating voltage U_{max}	30 V DC
Current carrying capacity per I/O signal	2 A
Current carrying capacity per slot	4 A
Total rated current	12 A
Number of positions	5
Number of slots	4
Flammability rating according to UL 94	V0
Sensor/actuator connection system	M12 socket

Ambient conditions

Degree of protection	IP65
Degree of protection	IP67
Ambient temperature (operation)	-20 °C ... 75 °C

Local diagnostics function

Local diagnostics	Supply voltage Green LED
Local diagnostics	Status display I/O Yellow LED

Master cable data/connection data

Connection method	M23 plug connection
-------------------	---------------------

Sensor/actuator box - SACB-4/ 8-L-M23 - 1692417

Technical data

Master cable data/connection data

Tightening torque slot sensor/actuator cable	0.4 Nm
---	--------

Insulation material

Housing material	PA
Contact material	CuSn
Contact surface material	Ni/Au
Contact carrier material	PA
Material of contact, master cable side	CU alloy
Material of contact surface, master cable side	Gold-plated
Material of the contact carrier on the master cable side	PA
Material of threaded sleeve	PA
O-ring material	NBR

Pin assignment

Slot/position = Wire color or connection	1 / 4 (A) = 15
Slot/position = Wire color or connection	1 / 2 (B) = 7
Slot/position = Wire color or connection	2 / 4 (A) = 5
Slot/position = Wire color or connection	2 / 2 (B) = 4
Slot/position = Wire color or connection	3 / 4 (A) = 16
Slot/position = Wire color or connection	3 / 2 (B) = 8
Slot/position = Wire color or connection	4 / 4 (A) = 3
Slot/position = Wire color or connection	4 / 2 (B) = 14
Slot/position = Wire color or connection	1-4 / 1 (+ 24 V) = 19
Slot/position = Wire color or connection	1-4 / 3 (0 V) = 6
Slot/position = Wire color or connection	1-4 / 5 (PE) = 12

Standards and Regulations

Connection in acc. with standard	CUL
Flammability rating according to UL 94	V0

Classifications

eCl@ss

eCl@ss 4.0	27140815
eCl@ss 4.1	27140815
eCl@ss 5.0	27143423
eCl@ss 5.1	27143423
eCl@ss 6.0	27143423
eCl@ss 7.0	27449001
eCl@ss 8.0	27279219
eCl@ss 9.0	27440108

ETIM

ETIM 2.0	EC000200
-----------------	----------

Sensor/actuator box - SACB-4/ 8-L-M23 - 1692417

Classifications

ETIM

ETIM 3.0	EC001856
ETIM 4.0	EC002585
ETIM 5.0	EC002585

UNSPSC

UNSPSC 6.01	31261501
UNSPSC 7.0901	31261501
UNSPSC 11	31261501
UNSPSC 12.01	31261501
UNSPSC 13.2	31261501

Approvals

UL Recognized / cUL Recognized / EAC / cULus Recognized /

Approval details

UL Recognized s	
Nominal voltage UN	24 V
Nominal current IN	
mm ² /AWG/kcmil	22-16

cUL Recognized s	
Nominal voltage UN	24 V
Nominal current IN	
mm ² /AWG/kcmil	22-16

EAC s

cULus Recognized s

Accessories

Master cable, assembled

Sensor/actuator box - SACB-4/ 8-L-M23 - 1692417

Accessories

RCK-TGUM/BL16+3/ 5,0PUR-U - 1684056



RCK-TGUM/BL16+3/10,0PUR-U - 1684069



RCK-TWUM/BL16+3/ 5,0PUR-U - 1684072



RCK-TWUM/BL16+3/10,0PUR-U - 1684085



V-RC/TGUM 13/KVD 13/LBL 16+3 - 1000042



V-RC/TWUM 13/KVD 13/LBL 16+3 - 1000044



Sensor/actuator box - SACB-4/ 8-L-M23 - 1692417

Accessories

Protective cap

PROT-M12 - 1680539



MSK 1 - 1665897



MSK 2 - 1665907



KSK 1 - 1685013



Device marking

ZBN 18:UNBEDRUCKT - 2809128



Assembly tool

Sensor/actuator box - SACB-4/ 8-L-M23 - 1692417

Accessories

PLUSCON-RCS - 1665062



Torque tool

TSD 04 SAC - 1208429



Screwdriver tools

SAC BIT M12-D15 - 1208432



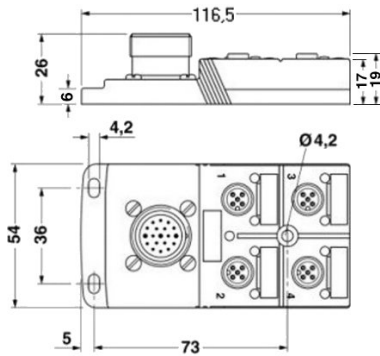
SACC BIT M12-D20 - 1208445



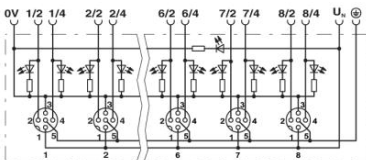
Drawings

Sensor/actuator box - SACB-4/ 8-L-M23 - 1692417

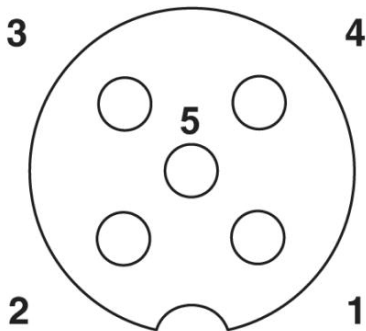
Dimensional drawing



Circuit diagram

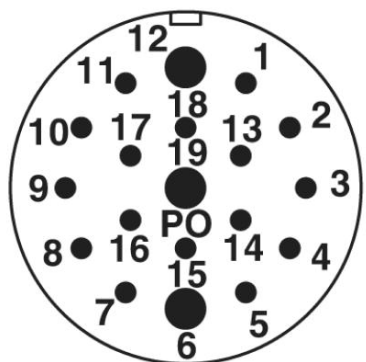


Schematic diagram



M12 slot, socket, 5-pos.

Schematic diagram



M23 plug connection pin, 19-pos.