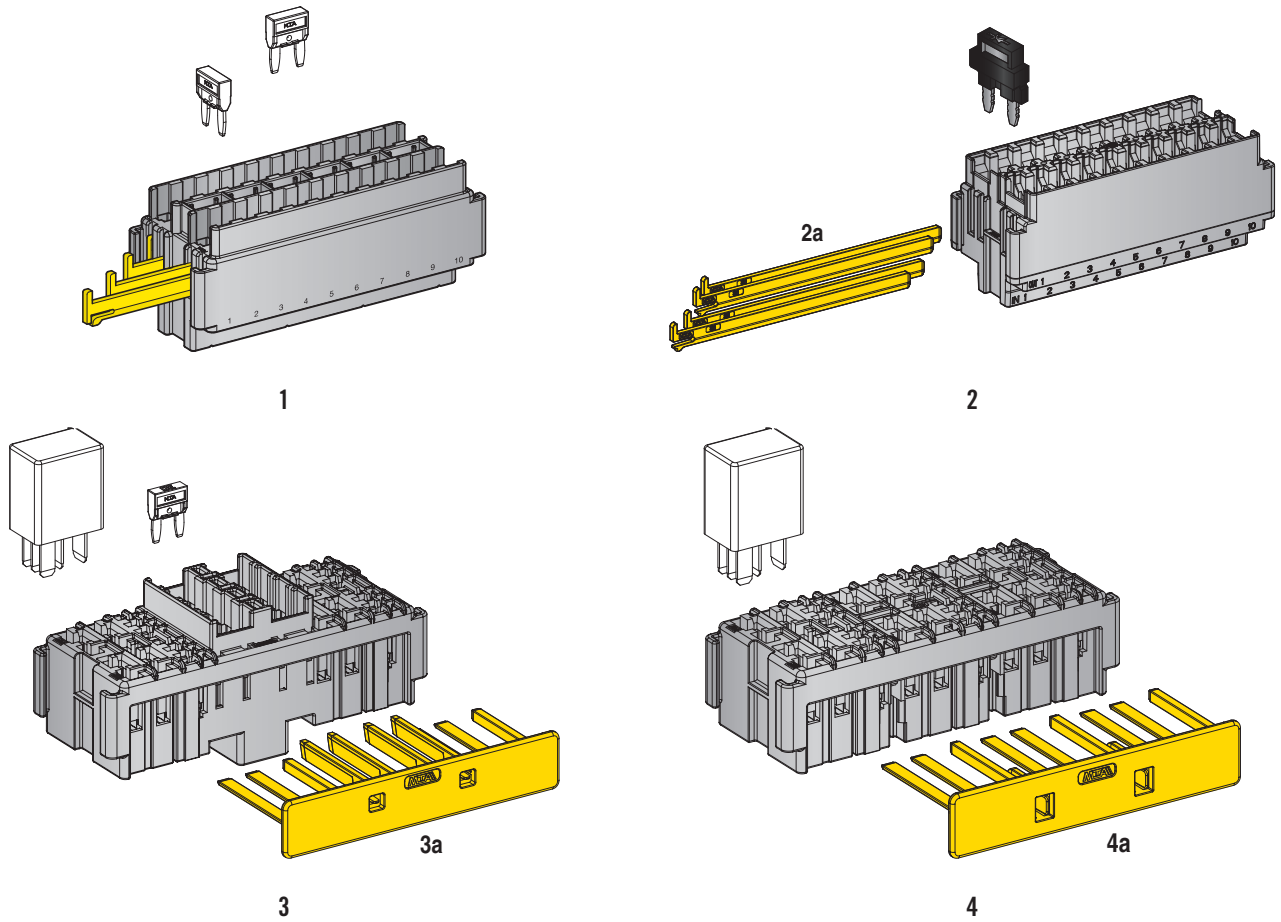
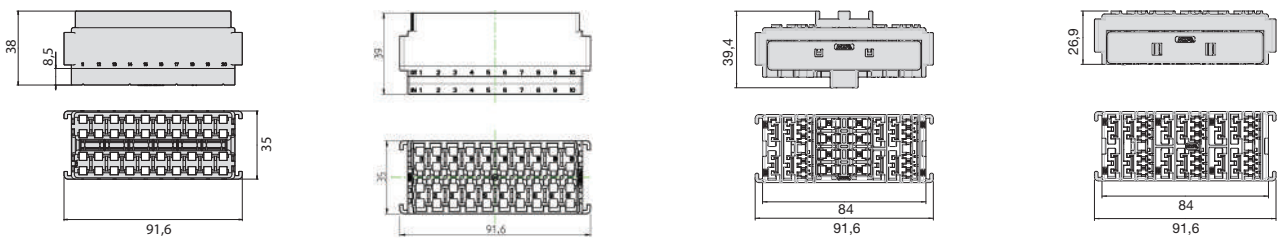


# MODULES



IMG	DESCRIPTION	WAY	MATERIAL	COLOUR	P/N BOX WITH S.LOCK	M.O.Q.	P/N BULK	M.O.Q.
1	MINIVAL MODULE	20	PA66 MD25	Grey	0101460	1	0301460	250
2	DIODES/MINIVAL MODULE	20	PA66 MD25	Grey	0101640	1	0301640	230
2a	SECONDARYLOCK		PA66	Yellow			0300793	7000
3	MINIVAL/MICRORELAY MODULE	8 + 4	PA66 MD25	Grey	0101564	1	0301564	132
3a	SECONDARYLOCK		PA66 GF 13	Yellow			0301566	400
4	MICRORELAY MODULE	6	PA66 MD25	Grey	0101484	1	0301484	198
4a	SECONDARYLOCK		PA66 GF 13	Yellow			0301486	400



### CONNECTIONS AND FIXINGS

IMG	1+2+3	1+2+3	3+4	3+4	1+2+3+4
	F280	F280 BUS-BAR	F480E	F630E	0301630