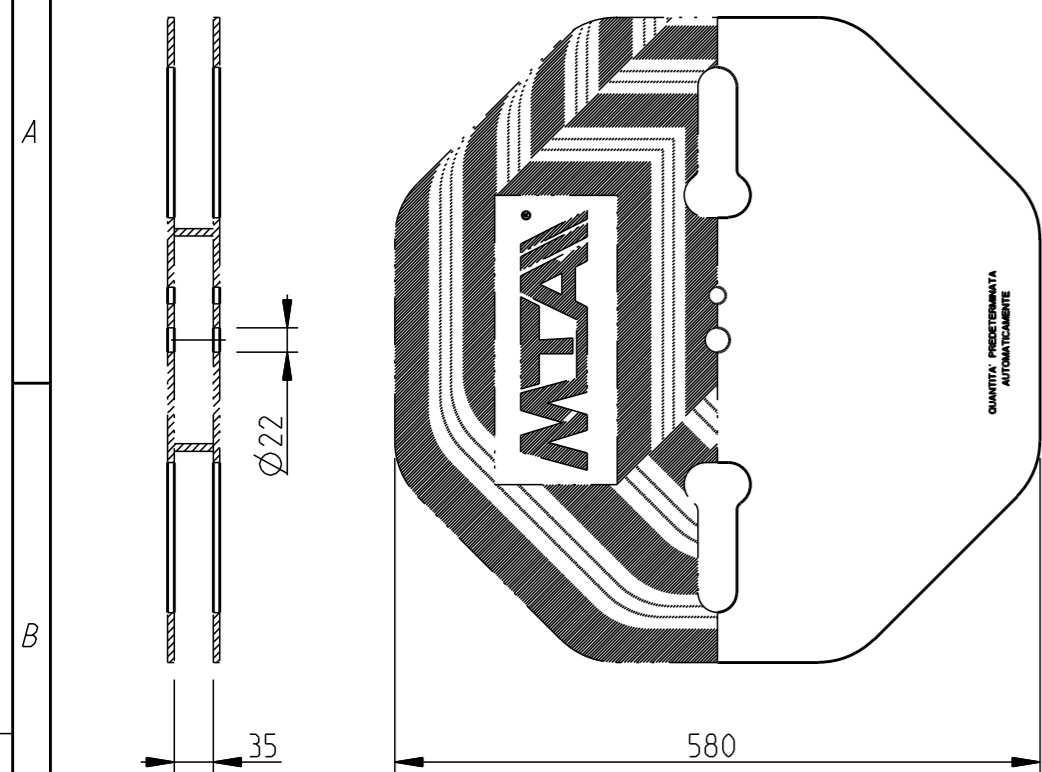


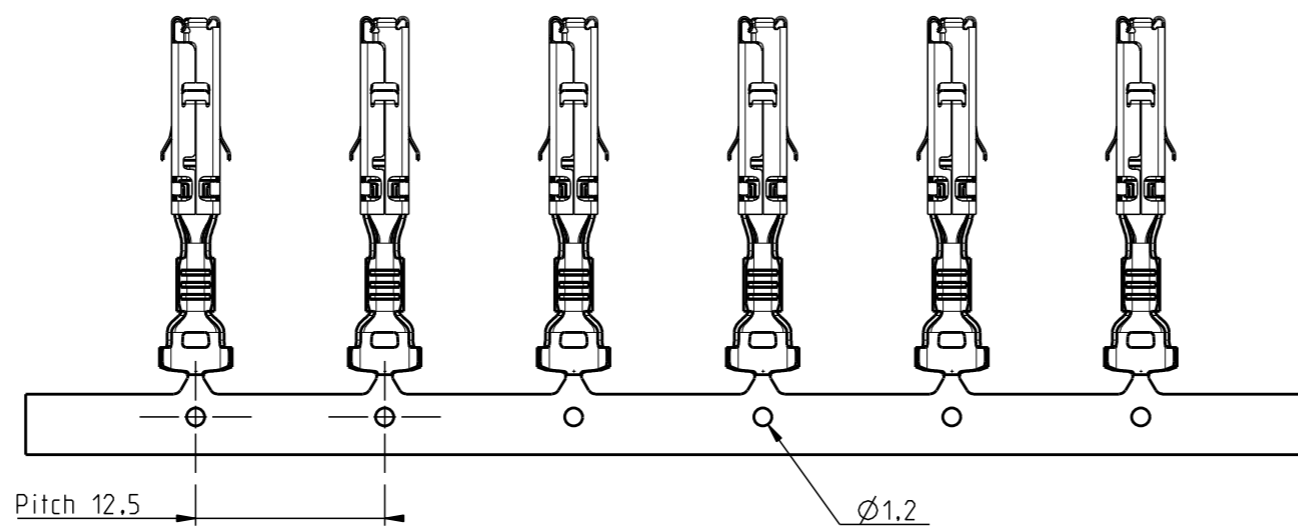


3	TOLERANCE DIMENSION 4.6 UPDATED	D.BONINO	05.02.14
2	ASSOCIATED TABLE REFERENCE UPDATED	R.BUSSACCHINI	06.02.13
1	CRIMP STATEMENT TABLE UPDATED	P.MANGINI	08.05.09
REV	DESCRIPTION	NAME	DATE

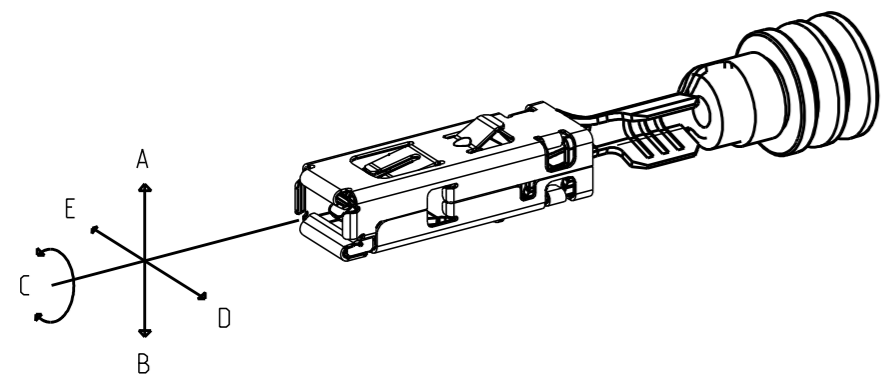


UNWINDING DIRECTION OF THE REEL

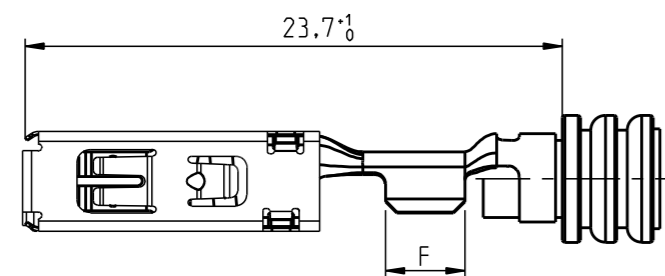
SCALE 2:1



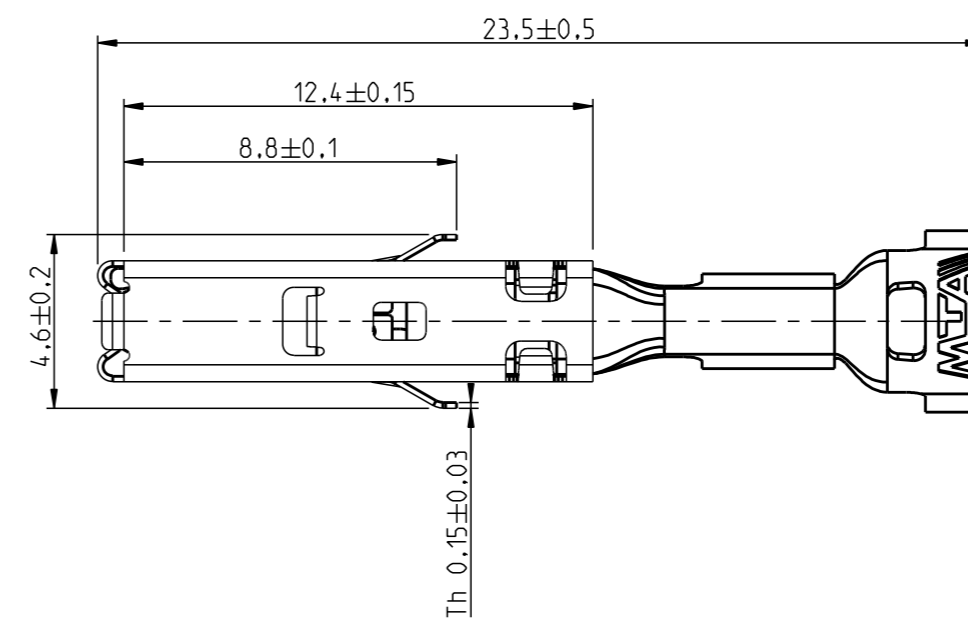
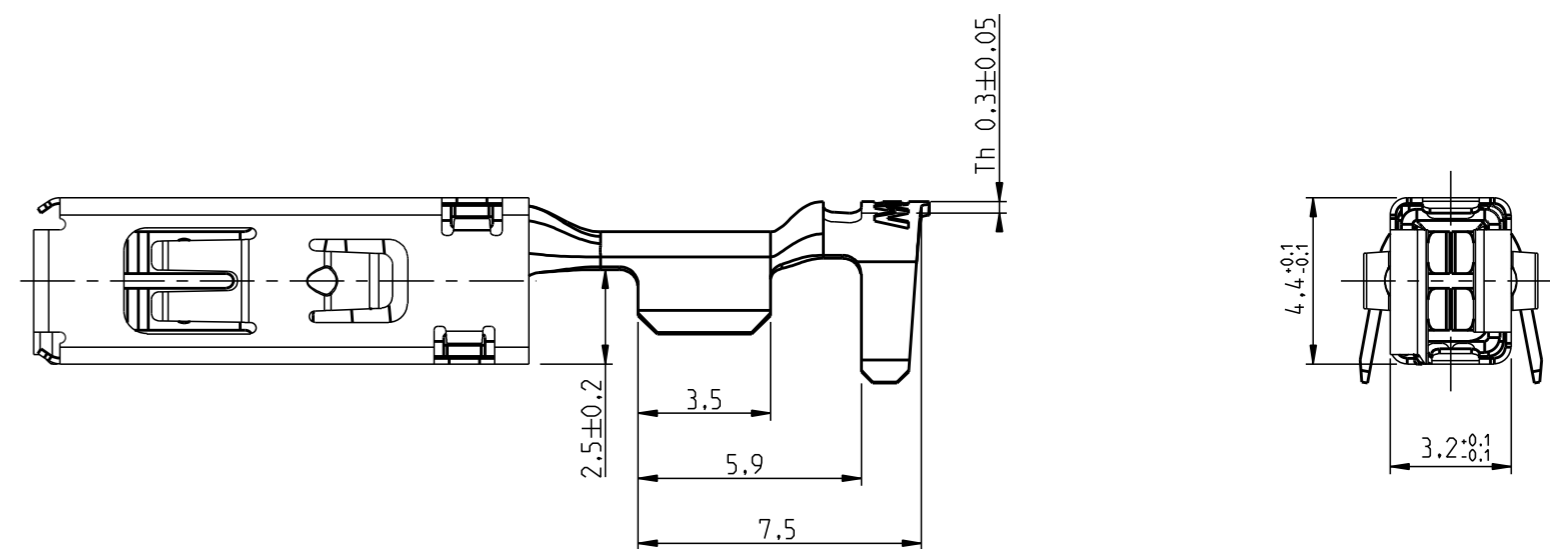
ASSOCIATED TABLE REFERENCE						
MTA P/N	BOSCH P/N	TYCO P/N	FIAT P/N	DENOMINATION	MATERIAL	COLOR
-	1 928 300 599	828904-1/2	1/01721/82	SEAL for cable Ø1.2+2.1mm	TC 200-50	BLUE
-	-	-	1/23089/82			AZURE
-	1 928 300 600	828905-1	1/01771/80	SEAL for cable Ø2.2+3mm	TC 200-50	WHITE
-	-	-	1/23090/80			
-	1 928 300 601	828922-1	1/08594/80	CAVITY PLUG	TC 200-50	WHITE
-	-	-	1/08594/80			NATURAL
-	-	-	1/08594/83			GREEN
-	-	828986-1	-			BROWN
B0-148.L06A	-	-	-	HOUSING	-	-



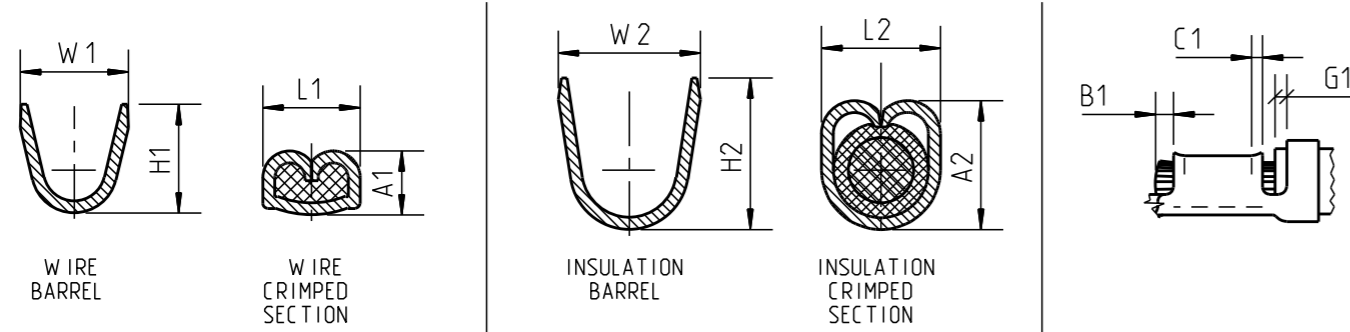
WARNING CONTROL OF CRIMPED TERMINAL			
CHARACTERISTIC TO CONTROL		VALUE TO MEASURE	VALUE RETRIEVED
CRIMPING DEFORMATION	TOP DEFLECTION	3° Max.	A
	BOTTOM DEFLECTION	3° Max.	B
	TWIST	3° Max.	C
DEFLECTION FOLLOWING PIECE AXIS		3° Max.	D - E
STRIP LENGTH		4.5±0.5	F



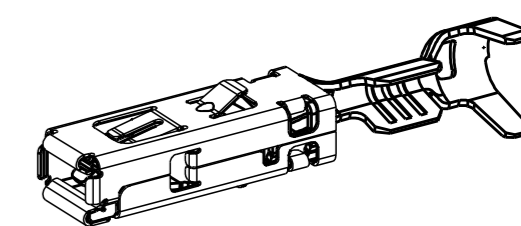
SCALE 3:1



CRIMP STATEMENTS



**UNCONTROLLED COPY**  
in case of drawing updating/revision  
NO AUTOMATIC  
resubmission will follow



SCALE 3:1

MTA P/N	DRAW Nr.	Material	Coating	Contact Area Coating	Rated current (A)	Wire sect. (mm <sup>2</sup> )	CONDUCTOR				INSULATION				TEAR OUT FORCE (N)	B1	C1	G1
							H1 ±0.4	W1 ±0.4	A1 ±0.05	L1 ±0.1	H2 ±0.4	W2 ±0.4	A2 ±0.2	L2 ±0.2				
1708380	B0-018.019A	CuNiSi	Sn	GOLD PLATED	10	0.5	2.7	2.5	1.10	1.95	4.8	4.8	3.90	3.85	> 70	0.5 MIN	0.5±1.5	>0.2
1708382	B0-018.019C			TIN PLATED	11	0.75			1.20	1.97			4.00	3.90	> 90			
1708381	B0-018.019B			GOLD PLATED	12	1	1.35	1.99	4.10	3.90	> 115							
1708383	B0-018.019D			TIN PLATED	15	1.5	1.50	2.66	4.20	4.15	> 155							
					15.5	2	1.60	2.68	5	5	4.30	4.21	> 195					
					16	2.5			1.75	2.69			4.40	4.22	> 235			

<b>MTA</b>		MTA P/N	1708380	Denom.		HP6 280 TERMINAL	
		Draw No.	B0-018.019A	Used for		Section cable 0.5+1mm <sup>2</sup>	
Rel. Level	Approved	Draw for	CLIENT	Relevant Standard		-	
Date	Name	Scale	Weight(g)	Lin.Tol.±	Ang.Tol.±	Material SEE TAB.	
Draft.	15.03.07	P.MANGINI	5:1	-0.55	1.5°	Coating SEE TAB.	
Chk	05.02.14	M.PASQUANDREA	A2	Dimensions in (mm)	Sheet	Color -	
PQApp	05.02.14	M.ROSSI					
App.	05.02.14	M.PASQUANDREA					
3	TOLERANCE DIMENSION 4.6 UPDATE						
No.	Reason for Revision			Date	05.02.14	Name	D.BONINO
							3.0

All proprietary rights reserved by MTA S.p.A. - This drawing shall not be reproduced, or in any way utilized, for the fabrication of components or their assembly and must not be released to other parties without written consent. Any infringement will be legally pursued.