

DIGITUS® L-Support Sliding Rails for 19" Network- or Server Cabinets



Image: DN-19 GS-NW

✓ Easy installation

✓ 2.00 mm steel sheet, galvanized

✓ 1U and depth variable

✓ 1 set= 2 pieces

Abstract

DIGITUS® L-support sliding rails for network- or server cabinets, variable in depth, 1U

Features

- For fixing at the four 19" mounting angles
- Galvanized sheet steel, 2.00 mm thickness
- Loading capacity up to 100 kg
- 1 piece consists of 2 parts (internal and external profiling system)
- 1 set= 2 pieces
- Delivery with complete set of needed fixing material
- Height units: 1U
- Variable in depth: 350 mm to 600 mm (DN-19 GS-NW); 500 mm to 750 mm (DN-19 GS-SRV)
- Dimensions (Height x Width): 44 x 52 mm

Product Overview

The L-support sliding rails are easy to install to help the mounting of heavy devices into your DIGITUS® 19" network- or server cabinets. They are getting fixed at the four mounting angles and with 100 kg load carrying capacity and galvanized sheet steel they provide optimized support of your components.

Product Number Information

- DN-19 GS-NW DIGITUS® Sliding rails for network cabinets with 600 mm to 800 mm depth
DN-19 GS-SRV DIGITUS® Sliding rails for server cabinets with 800 mm to 1000 mm depth

Conformities

Raw material	DC01-6112
Surface	Electro galvanized (8-12 micron)
Painting	Grey (RAL 7035)

Standards

ISO 9001:2008

TSE: EN 61587-1 Mechanical structures for electronic equipment - tests for IEC 60917 and IEC 60297

EN 61587-1/4.2, IEC60068-2-1, IEC60068-2-2, IEC60068-2-30 (climatic and environment)

EN 61587-1/6.3 (flammability)

Logistical Properties

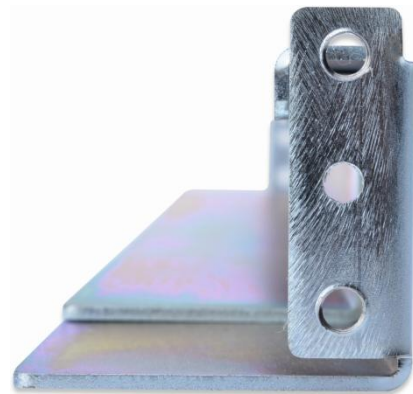
Product number	Packaging dimensions in mm (HxWxD)	Net weight (kg)	Gross weight (kg)
DN-19 GS-NW	65x370x65	2.65	3.00
DN-19 GS-SRV	65x520x65	3.20	3.70

Product Images

DN-19 GS-SRV

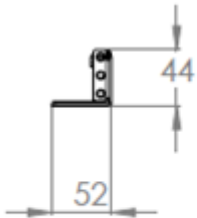


Detail view (both variants)

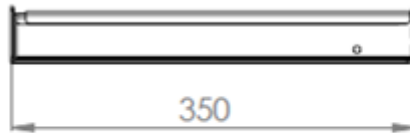


Technical Drawings

DN-19 GS-NW



Front view



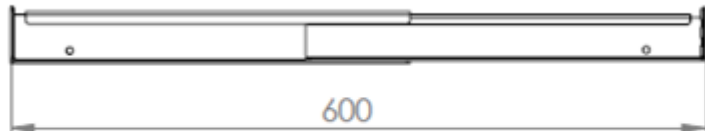
Min. usable distance



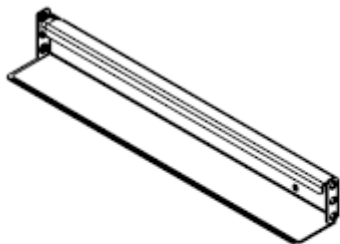
Bottom view



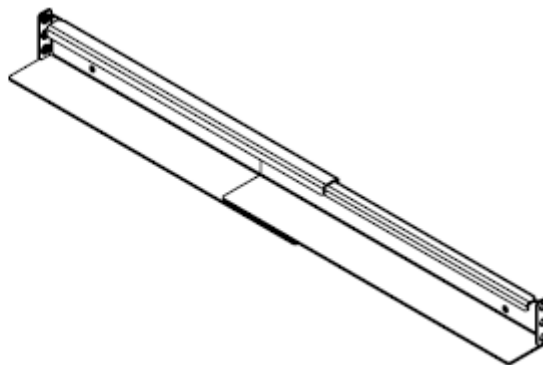
Top view

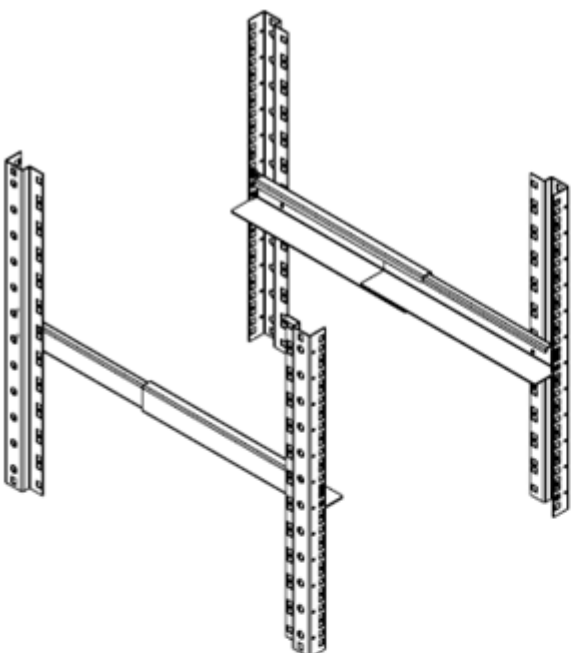


Max. usable distance

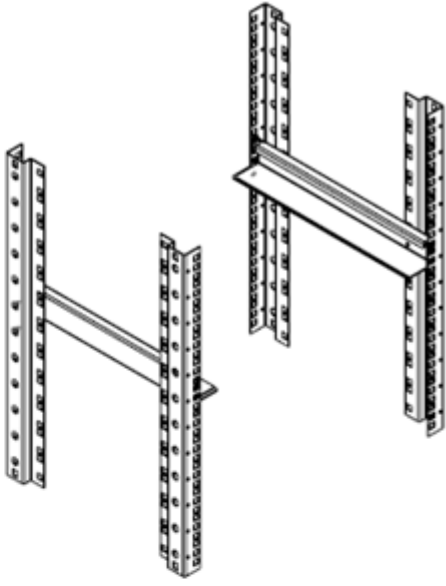


Isometric view

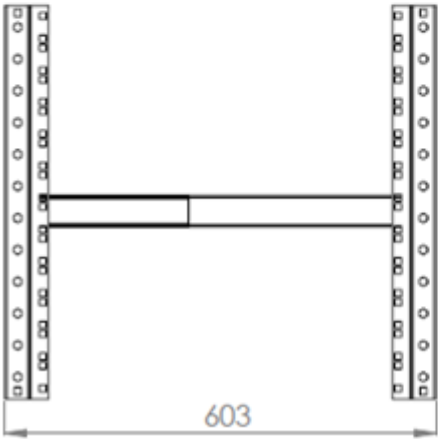




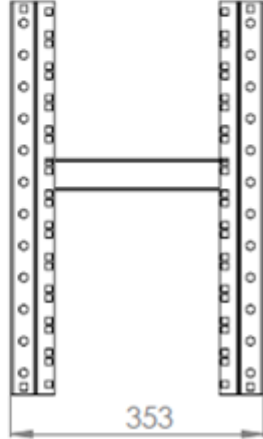
Max. usable distance
 Isometric view



Min. usable distance
 Isometric view

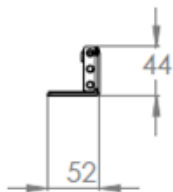


Max. usable distance

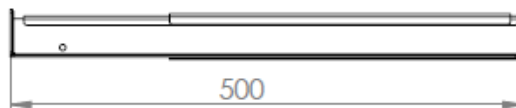


Min. usable distance

DN-19 GS-SRV



Front view



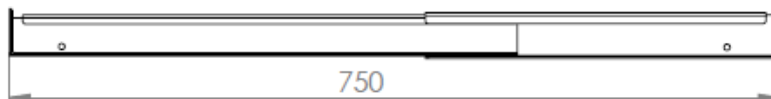
Min. usable distance



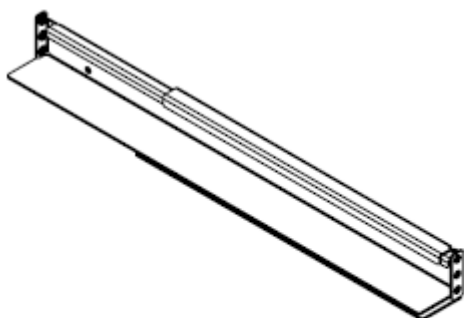
Bottom view



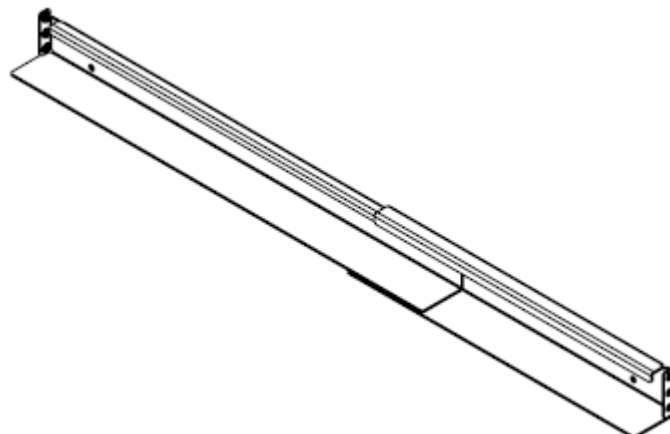
Top view

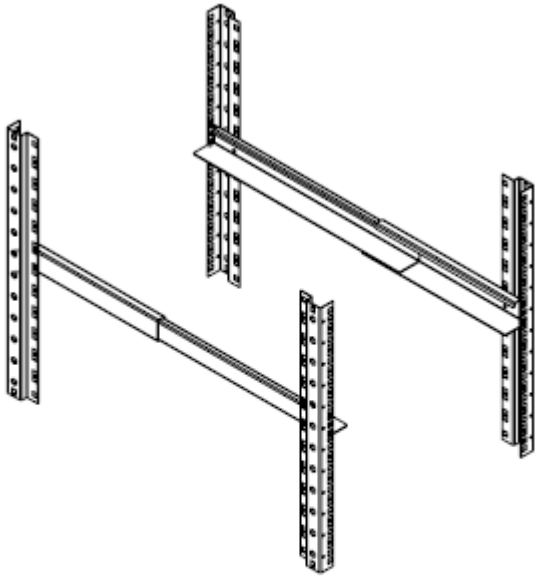


Max. usable distance

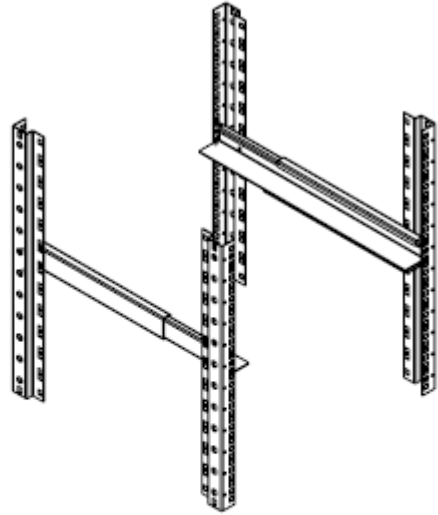


Isometric view

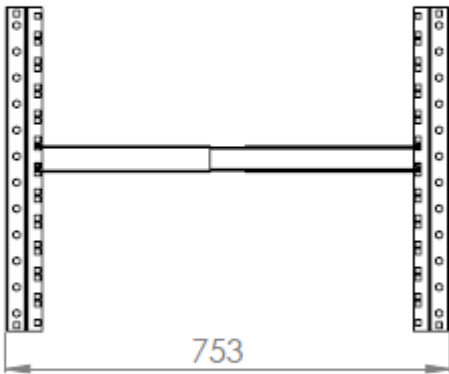




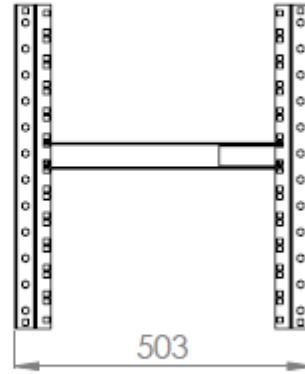
Max. usable distance
 Isometric view



Min. usable distance
 Isometric view



Max. usable distance



Min. usable distance