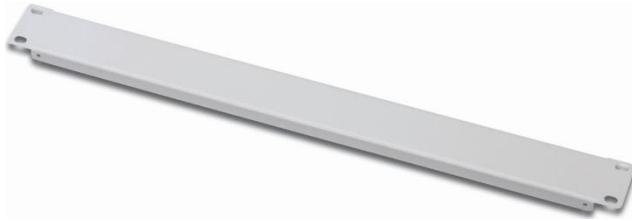


## Blank Panels for DIGITUS® 19" Network- and Server Cabinets



✓ Easy mounting

✓ Fixing at mounting angles

✓ Available in 1U up to 6U

✓ Available in grey and black

### Abstract

Blank Panels for DIGITUS® 19" Network- and Server Cabinets, 1U to 6U

### Features

- For covering of empty U-Spaces
- Fixing at mounting angles
- Sheet steel
- Available in colors grey (RAL 7035) and black (RAL 9005)
- Available in height units from 1U up to 6U

### Product Overview

The blank panels from DIGITUS® are made out of sheet steel. Used to cover empty spaces between the 19" mounting angles of your DIGITUS® network- or server cabinet. They are available in height units from 1U up to 6U and in colors grey (RAL 7035) and black (RAL 9005).

### Product Number Information

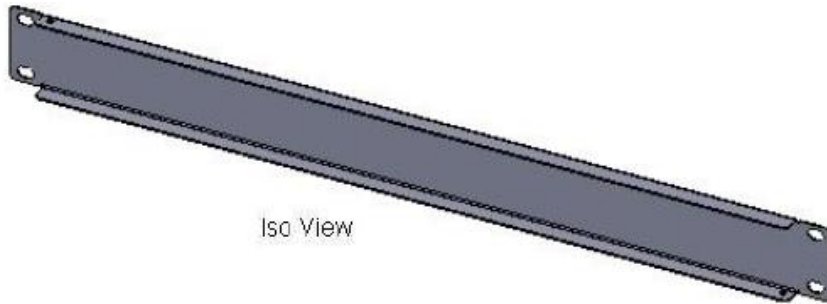
DN-97612	DIGITUS® 1U blank panel, color grey (RAL 7035)
DN-97613	DIGITUS® 2U blank panel, color grey (RAL 7035)
DN-19 BPN-03	DIGITUS® 3U blank panel, color grey (RAL 7035)
DN-19 BPN-04	DIGITUS® 4U blank panel, color grey (RAL 7035)
DN-19 BPN-05	DIGITUS® 5U blank panel, color grey (RAL 7035)
DN-19 BPN-06	DIGITUS® 6U blank panel, color grey (RAL 7035)
DN-19 BPN-01-SW	DIGITUS® 1U blank panel, color black (RAL 9005)
DN-19 BPN-02-SW	DIGITUS® 2U blank panel, color black (RAL 9005)
DN-19 BPN-03-SW	DIGITUS® 3U blank panel, color black (RAL 9005)
DN-19 BPN-04-SW	DIGITUS® 4U blank panel, color black (RAL 9005)
DN-19 BPN-05-SW	DIGITUS® 5U blank panel, color black (RAL 9005)
DN-19 BPN-06-SW	DIGITUS® 6U blank panel, color black (RAL 9005)

**More Accessories from DIGITUS<sup>®</sup>**

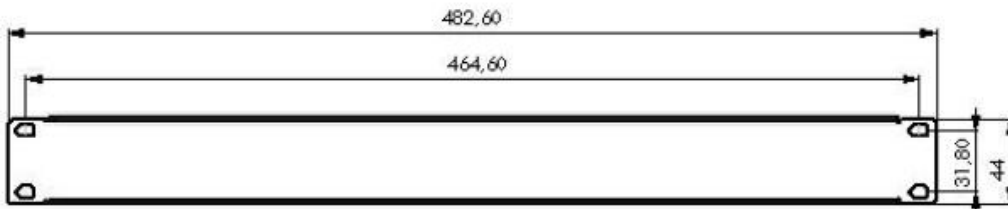
DN-19 EARTH	Earthing leads & potential for DIGITUS <sup>®</sup> cabinets, equalisation busbar
DN-19 CASTOR	Castor group for DIGITUS <sup>®</sup> cabinets, break system for 2 front castors, load capacity 250kg
DN-19 CASTOR-WB	Castor group for unmounted DIGITUS <sup>®</sup> cabinets, break system for 2 front castors, load capacity 250kg
DN-19 FEET	Feet for DIGITUS <sup>®</sup> free standing cabinets, 4 pieces
DN-19 KEY-1U	DIGITUS <sup>®</sup> 1U lockable keyboard shelf, color grey (RAL 7035)
DN-19 KEY-1U-SW	DIGITUS <sup>®</sup> 1U lockable keyboard shelf, color black (RAL 9005)
DN-19 KEY-2U	DIGITUS <sup>®</sup> 2U lockable keyboard shelf, color grey (RAL 7035)
DN-19 KEY-2U-SW	DIGITUS <sup>®</sup> 2U lockable keyboard shelf, color black (RAL 9005)
DN-19 KEY-3U	DIGITUS <sup>®</sup> 3U lockable keyboard shelf, color grey (RAL 7035)
DN-19 KEY-3U-SW	DIGITUS <sup>®</sup> 3U lockable keyboard shelf, color black (RAL 9005)
DN-19 SET	Screw set, M6, 50xM6 screws, 50xM6 cage nuts, 50xM6 washers, black, length 17 mm
DN-19 SET-S	Screw set, M6, 50xM6 screws, 50xM6 cage nuts, 50xM6 washers, silver, length 17 mm
DN-19 BGL	Connection kit for DIGITUS <sup>®</sup> cabinets, 46x130x23 mm
DN-19 BGL-1	Connection kit for DIGITUS <sup>®</sup> Unique & Dynamic Basic cabinets, 46x130x23 mm
DN-19 BGL-SRV	Connection kit for DIGITUS <sup>®</sup> server cabinets
DN-19 PHS	Profile half cylinder key for DIGITUS <sup>®</sup> network cabinets
DN-19 PHS-SRV	Profile half cylinder key for DIGITUS <sup>®</sup> server cabinets
DN-19 KEY-801	Key for wall mounting cabinets, Key-No.: 801
DN-19 KEY-9081	Key for swing handle lock for Unique Server- and Network cabinets, Key-No.: 9081
DN-19 KEY-9473	Key for Network-, Server- and Wall mounting cabinets, Key-No.: 9473
DN-19 KEY-EK333	Key for DN-19 PHS, Data Center, Key-No.: EK333
DN-19 LIGHT-3	DIGITUS <sup>®</sup> LED Lighting Fixture, with switch for automatic door- or waving mode, (sensor), incl. power adapter
DN-19 FAN	Fan for DIGITUS <sup>®</sup> fan units, 138m <sup>3</sup> air circ./h, Noise Level: 47 dB/m

**Technical Drawings**

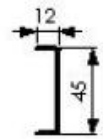
**Blank Panel - 1U**



Iso View

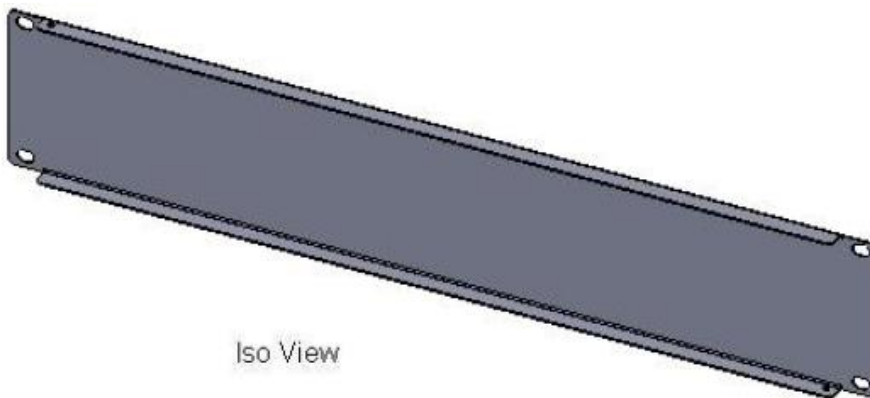


Top View

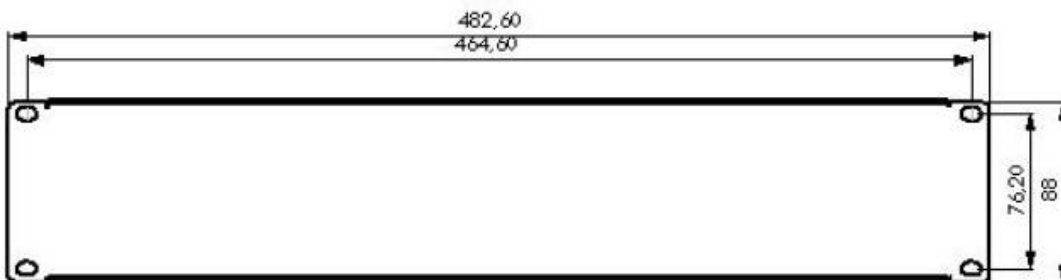


Side View

**Blank Panel - 2U**



Iso View

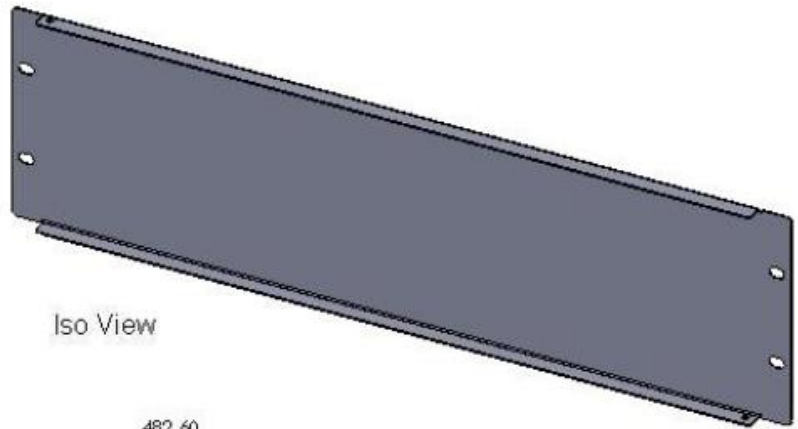


Top View

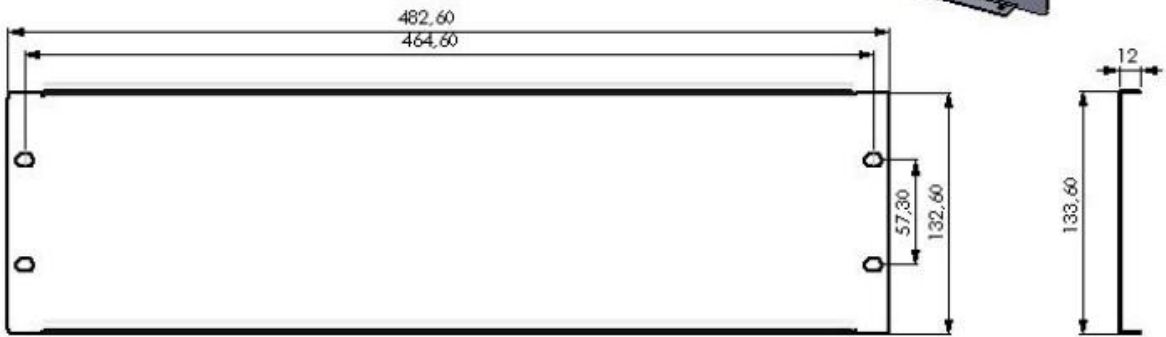


Side View

**Blank Panel - 3U**



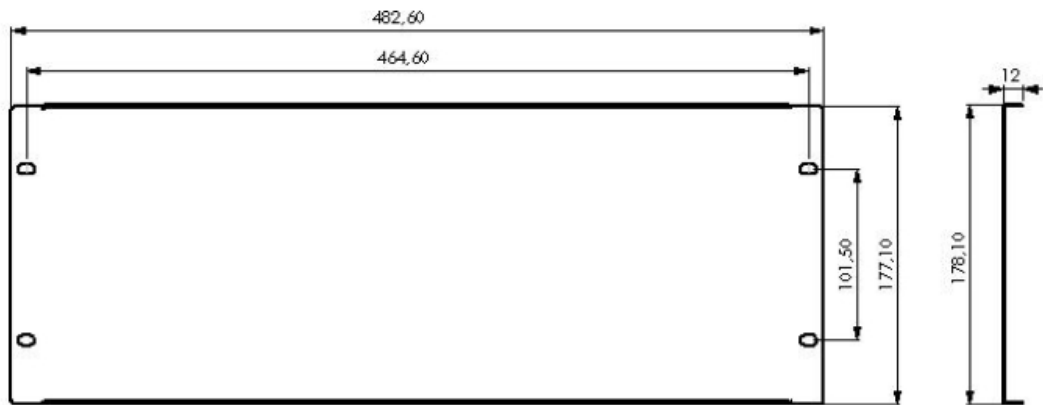
Iso View



Top View

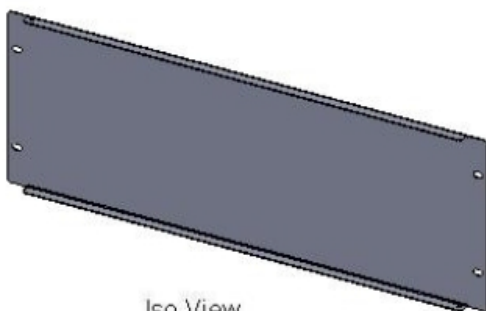
Side View

**Blank Panel - 4U**



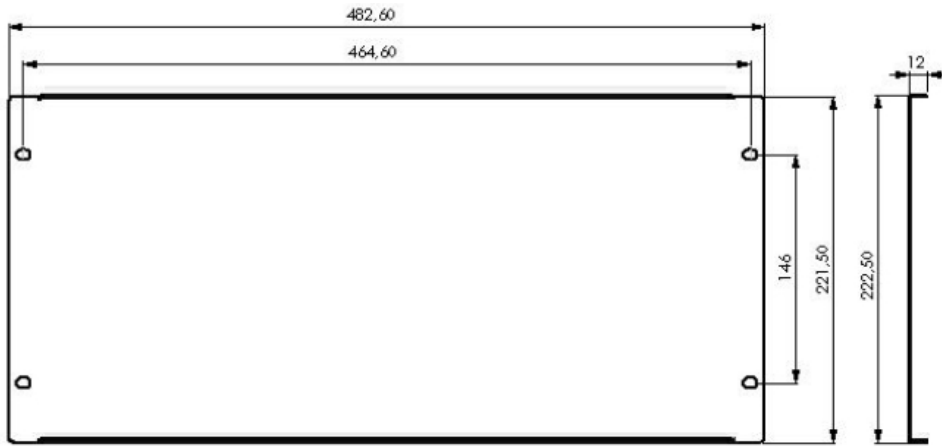
Top View

Side View



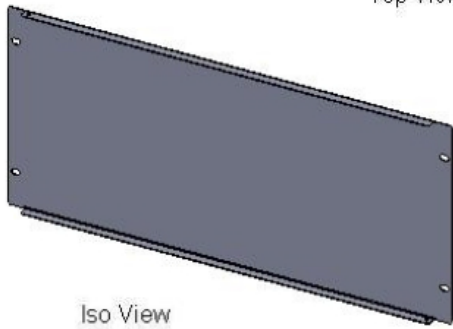
Iso View

**Blank Panel - 5U**



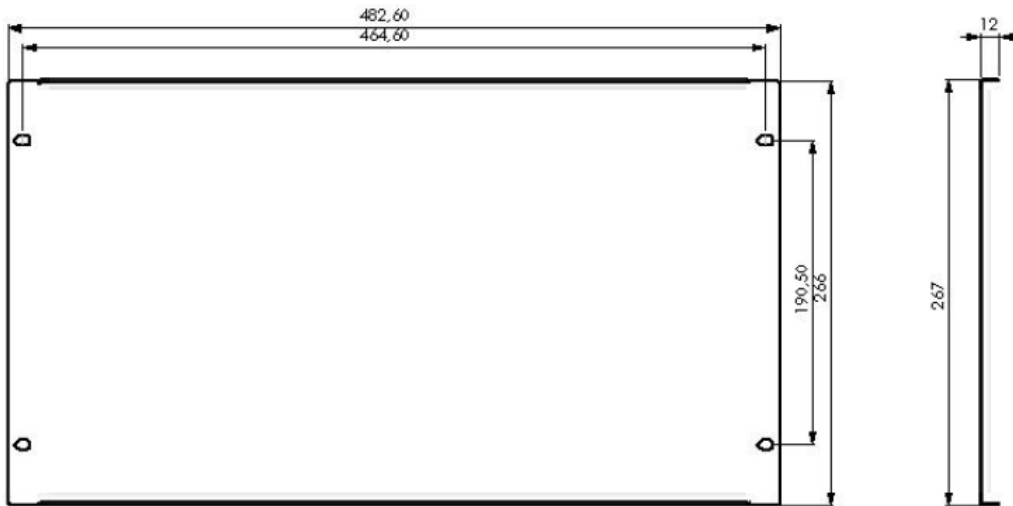
Top View

Side View



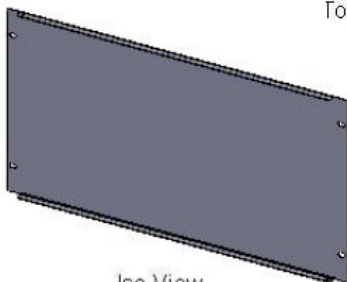
Iso View

**Blank Panel - 6U**



Top View

Side View



Iso View