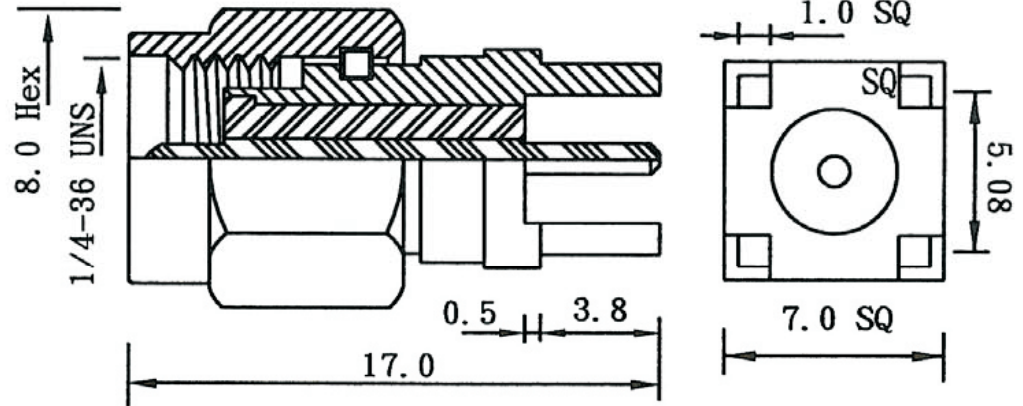


Artikel-Nr.: 1456264

Bez.: SMA-Einbaustecker , Printmontage 180° , vergoldet

Impedance	50Ω
Frequency range	0~18 GHz
Voltage rating	RG-55.58.141.142.223.303 500: volts peak RG-122.174.188.316.375: 375 volts peak
VSWR (straight connectors)	RG-55 group: 1.15+0.011(GHz) RG-178 group: 1.20+0.251(GHz)
othr (MIL-C-39012 cable connectors)	Contact resistance Center contact: 2.0 milliohm Body contact: 2.0 milliohm Insertion loss:0.03√f(GHz) dB max Insulation resistance:5000 megohms(min)
Coupling Torque	15.0 lb-in (1.70 N.m)
Temperature Range	-65°C ~ 185°C

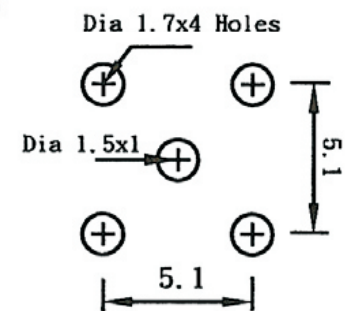


5	Gasket	Rubber	Red
4	Nut	Brass	Nickel
3	Insulator	Teflon	White
2	Contact	Brass	Gold
1	Body	Brass	Nickel
No	Description	Material	Finish

NOTE: FINISH (PLATING THICKNESS IN MICRO-INCHES)

1. BRASS PER JIS-C3604
2. TEFLON PER ASTM D1457 AND ASTM D1710
3. CONNECTOR INTERFACE PER MIL-STD-348A
4. PART TO BE CLEAN AND FREE BURRS
5. NICKEL PL 70 μ" THICK OVER COPPER STRIKE
6. GOLD PL 1-3 μ" OVER NICKEL PL 70 μ" THICK OVER COPPER STRIKE

Mounting Holes



www.bkl-electronic.de

Technische Änderungen vorbehalten. Ausführungen können variieren. Sollten Sie ein Muster benötigen kontaktieren Sie uns bitte.

BKL-ELECTRONIC Kreimendahl GmbH • Märkenstück 14 • 58509 Lüdenscheid

Tel: +49 (0)2351-3621-0 • Fax: +49 (0)2351-3621-29 • info@bkl-electronic.de

