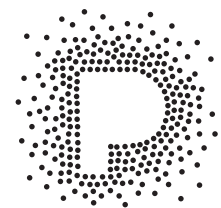


Indoors

Battery Operated Decoration Mini Candle Lights 10

LBA-30-003a



Polarlite®



Operating instructions

Intended use

The 10 battery operated candles are intended for indoor decoration and are controlled by the remote control provided. The product can be extended by similar sets, whereas further remote controls can be used as replacement.

For safety and approval purposes, you must not rebuild and/or modify this product. If you use the product for purposes other than those described above, the product may be damaged. In addition, improper use can cause hazards such as short circuiting, fire, electric shock etc. Read the instructions carefully and keep them. Make this product available to third parties only together with its operating instructions.

This product complies with the statutory national and European requirements. All company names and product names are trademarks of their respective owners. All rights reserved.

Delivery content

- 10 Mini candle lights
- Remote control
- 10 AAA-batteries
- 1 Button cell battery
- Operating instructions

Safety instructions

Read the operating instructions carefully and especially observe the safety information. If you do not follow the safety instructions and information on proper handling in this manual, we assume no liability for any resulting personal injury or damage to property. Such cases will invalidate the warranty/guarantee.



a) Persons / Product

- The device is not a toy. Keep it out of the reach of children and pets.
- Do not leave packaging material lying around carelessly. These may become dangerous playing material for children.
- Always check the product for damages before use. Should you discover any damage, cease use of the product.
- Protect the product from extreme temperatures, direct sunlight, strong jolts, high humidity, moisture, flammable gases, vapours and solvents.
- Do not place the product under any mechanical stress.
- If it is no longer possible to operate the product safely, take it out of operation and protect it from any accidental use. Safe operation can no longer be guaranteed if the product:
 - is visibly damaged,
 - is no longer working properly,
 - has been stored for extended periods in poor ambient conditions or
 - has been subjected to any serious transport-related stresses.
- Please handle the product carefully. Jolts, impacts or a fall even from a low height can damage the product.

- The LED heats up during use. Keep the product away from highly combustible materials while operating.
- This product is designed to be used indoors only.
- Attention, LED light:
 - Do not look directly into the LED light!
 - Do not look into the beam directly or with optical instruments!

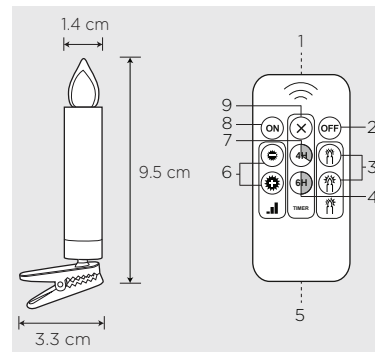
b) Batteries

- Correct polarity must be observed while inserting the batteries.
- Remove the batteries if you are not using the product for a long period of time to prevent damage due to leaks. Leaking or damaged batteries might cause acid burns when in contact with skin, therefore use suitable protective gloves to handle corrupted batteries.
- Batteries must be kept out of reach of children. Do not leave batteries lying around, as there is risk, that children or pets swallow them.
- Batteries must not be dismantled, short-circuited or thrown into fire. Never recharge non-rechargeable batteries. There is a risk of explosion!

c) Miscellaneous

- Maintenance, modifications and repairs are to be performed exclusively by an expert or at a qualified shop.
- If you have questions which remain unanswered by these operating instructions, contact our technical support service or other technical personnel.

Product overview



Remote control

- 1 Infrared LED
- 2 **OFF** button
- 3 button / button
- 4 **6 H** button
- 5 Battery compartment (backside)
- 6 **+** button / **-** button
- 7 **4 H** button
- 8 **ON** button
- 9 **X** button

Operation

The product must not be used in or under water.

Do not operate the product if it is still in its packaging.

Do not hang any objects from the product and do not cover the product.



The LEDs are not replaceable.

1. Remove the product from its packaging.
2. Hold the clamp and turn the candle (approx. 1/4 turn) anticlockwise as far as it will go, then remove the battery compartment.
3. Insert an AAA battery into the compartment with the positive terminal (+) pointing downwards. The LED will turn on.
4. Slide the battery compartment back into the candle.
5. Hold the clamp and turn the candle clockwise.

6. Follow steps 2 to 5 to put all the other candles into operation.
7. Attach the candles, for example, to your Christmas tree. Ensure stability when clamping the candles onto branches of the tree.
8. Turn off the candles using the remote control and then remove the batteries when not using the candles for a longer period of time.

Replacing the battery is required when the LED does not light anymore.

Remote control

Pull the safety strip from the battery compartment (5) of the remote control before first time use.

- Make sure there are no obstacles located between the infrared LED (1) of the remote control and the candles.
- If you do not want to operate all the candles, move a bit closer towards the candles, thereby ensuring visual contact between remote control and candle.
- The operating range of the remote control depends on the ambient conditions and the battery capacity.
- Replacing the battery is required when the operating range of the remote control drops significantly or if the candles cannot be operated when pressing any button.
- Open the battery compartment as indicated on the backside of the remote control and remove the old battery.
- Insert a coin cell battery of type CR2025 into the battery holder, making sure the positive terminal (“+” marking on the battery) faces up.
- Push the battery holder back into the battery compartment to close.

Description of buttons

OFF button (2)	Turn off candles
ON button (8)	Turn on candles / constant lighting function
button / button (3)	Slow / fast flickering mode
+ button / - button (6)	Dimmer function, 7 x dimmer settings
4 H (7) / 6 H button (4)	Timer function: 4 or 6 hours
X button (9)	Cancel the timer function

Maintenance and cleaning

- The product is maintenance-free, except for any change of batteries and occasional cleaning.
- Turn off the product and let it cool down sufficiently before cleaning.
- Do not use any abrasive or chemical cleaners. To clean, use a clean, dry, lint-free cloth. For stubborn dirt, slightly dampen the cloth with water. Allow the product to dry completely before continued use.

Technical data

a) Candle

Operating voltage.....	1 x 1.5 V/DC battery, type AAA
Battery life.....	approx. 150 h
LED power.....	6.75 mW
Luminous colour.....	Warm White
Operating conditions.....	-10 to +30 °C / 0 - 65 % RH
Storage conditions.....	-10 to +30 °C / 0 - 65 % RH
Weight.....	23 g (incl. battery)

b) Remote control

Operating voltage.....	1 x 3 V/DC lithium battery, type CR2025
------------------------	---

Disposal

a) Product



Electronic devices are recyclable waste and must not be disposed of in the household waste. At the end of its service life, dispose of the product according to the relevant statutory regulations.

Remove any inserted batteries and dispose of them separately from the product.

b) Batteries



You as the end user are required by law (Battery Ordinance) to return all used batteries. Disposing of them in the household waste is prohibited.

Contaminated batteries are labelled with this symbol to indicate that disposal in the domestic waste is forbidden. The designations for the heavy metals involved are: Cd = Cadmium, Hg = Mercury, Pb = Lead (name on batteries, e.g. below the trash icon on the left).

Used batteries can be returned to collection points in your municipality, our stores or wherever batteries are sold.

You thus fulfil your statutory obligations and contribute to the protection of the environment.

These operating instructions are published by CEI Conrad Electronic International (HK) Limited, 18th Floor, Tower 2, Nina Tower, No. 8 Yeung Uk Road, Tsuen Wan, New Territories, Hong Kong. All rights including translation reserved. Reproduction by any method, e.g. photocopy, microfilming, or the capture in electronic data processing systems require the prior written approval by the editor. Reprinting, also in part, is prohibited. The operating instructions reflect the current technical specifications at time of print.

© Copyright 2014 by CEI Conrad Electronic International (HK) Limited