

**SPECIFICATION:**

Current rating: 1,5 A  
 Voltage rating: 40 V  
 Insulation resistance: 100 MΩ min.  
 Contact resistance: 30 mΩ max.  
 Dielectric voltage: 500 V AC  
 Operation temperature: -55 °C to +85 °C

**MECHANICAL:**

Mating force: ≤ 15 N  
 Unmating force: ≥ 9.8 N

**MATERIAL:**

Insulator: PBT black UL94V-0  
 Shell: Steel  
 Contacts: Brass

**FINISH:**

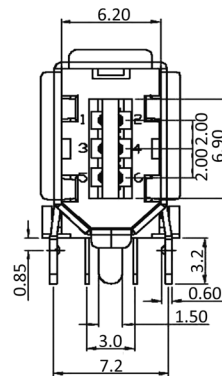
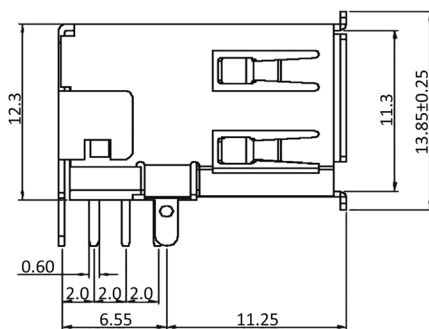
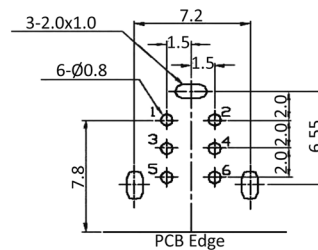
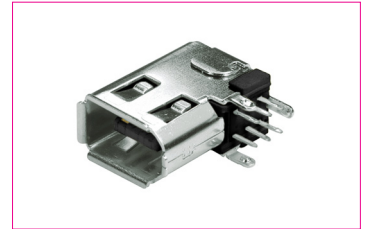
Shell: Nickel plated  
 Contacts: Gold Flash in contact area  
 Tin plated on solder tails

**HANDLING:**

Processing: Wave soldering  
 Packing: Tray

**TOLERANCE:**

.X ± 0.25  
 .XX ± 0.13



**Order-Information**

Identifier:

**FWB6PVB**

Socket 6 pin vertical angled