



Features

16A high switching capacity
 Small size and 15.7mm high
 10mm spacing, 5KV dielectric between coil and contact
 Withstands surge voltage of 10KV
 several contact types available
 White cover can be compliance with CTI ≥ 250 V

Safety Approval

UL, C-UL File No.: E190598
 VDE File No.: 40031353
 CQC File No.: CQC10002049463

Contact Capacity

Model	SM-1Pole	SM-2Poles
Nominal switching capacity (res. load)	16A 250VAC/12A250VAC	8A 250VAC
Max. switching current	20A	10A
Max. switching voltage	277VAC	277VAC
Max. switching power	4,000VA/3,000VA	2,770VA

Characteristic Data

Contact material	Silver alloy	
Initial contact resistance	100m Ω Max	
Operate time (at nominal volt.)	15msec. Max.	
Release time (at nominal volt.)	10msec. Max.	
Initial insulation resistance	100M Ω Min.(DC500V)	
Initial dielectric strength	Between open contacts: AC1,000V, 50/60Hz 1Min.	
	Between coil and contact: AC5,000V, 50/60Hz 1Min.	
Vibration resistance	Functional	10 ~ 55Hz at double amplitude of 1.5 mm
	Destructive	10 ~ 55Hz at double amplitude of 1.5 mm
Shock resistance	Functional	10GMin.
	Destructive	100GMin.
Endurance (operations)	Mechanical (at 10,800 ops./h)	10,000,000
	Electrical (at 360 ops./h)	100,000
Ambient temperature	-40 $^{\circ}$ C ~ + 85 $^{\circ}$ C (nocondensation)	
Unit weight	Approx. 13.5 g	
Covercolor	1Pole-White	2Poles-Black

Coil Data (at 20 $^{\circ}$ C)

Nominal Voltage (VDC)	Nominal operating current 10%(mA)	Coil resistance 10%(Ω)	Max. allowable voltage	Pick-up voltage (Max.)	Drop-out voltage (Min.)	Nominal operating power
5	81.00	63	150 % of nominal voltage	75 % of nominal voltage	10 % of nominal voltage	Approx. 0.4W
6	67.00	90				
9	45.00	203				
12	33.00	360				
15	26.00	562				
18	22.00	810				
24	17.00	1440				
48	8.00	5760				
60	6.70	8570				
110	3.60	28800				

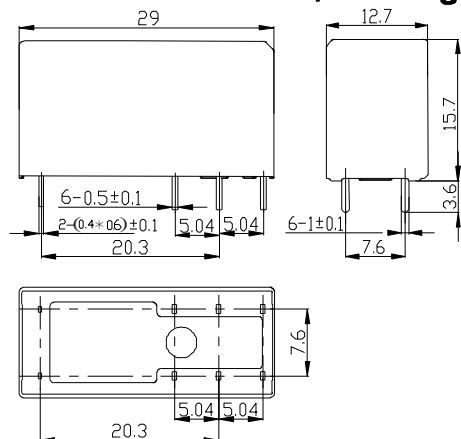
Safety Approval Ratings

Approval	CQC	VDE	UL
File No.	CQC10002049463	40031353	E190598
Approved ratings	1Pole: 16A 250VAC 12A 250VAC 2Poles: 8A 250VAC	1Pole: 16A 250VAC 12A 250VAC 10A 250VAC 2Poles: 8A 250VAC	1Pole(16A): 16A 250VAC,Resistive&G.P. 20A 277VAC,Resistive&G.P. 1HP,480/240VAC 1/2HP,120VAC 10FLA/60LRA,240VAC PilotDuty:A300360VA,120VAC 1Pole(12A): 12A 250VAC,Resistive&G.P. 10A 277VAC,Resistive&G.P. 3/4HP,3.5FLA,480VAC 1/2HP,4.9FLA,240VAC 1/3HP,120VAC 10FLA/48LRA,240VAC PilotDuty:A300360VA,120VAC 2Poles: 10A 250VAC,Resistive&G.P. 8A 277VAC,Resistive&G.P. 10A 30VDC,Resistive&G.P. 8A 30VDC,Resistive&G.P. 1/2HP,240VAC 1/4HP,120VAC 6FLA/34.8LRA,120VAC 5FLA/17.4LRA,240VAC PilotDuty:B300

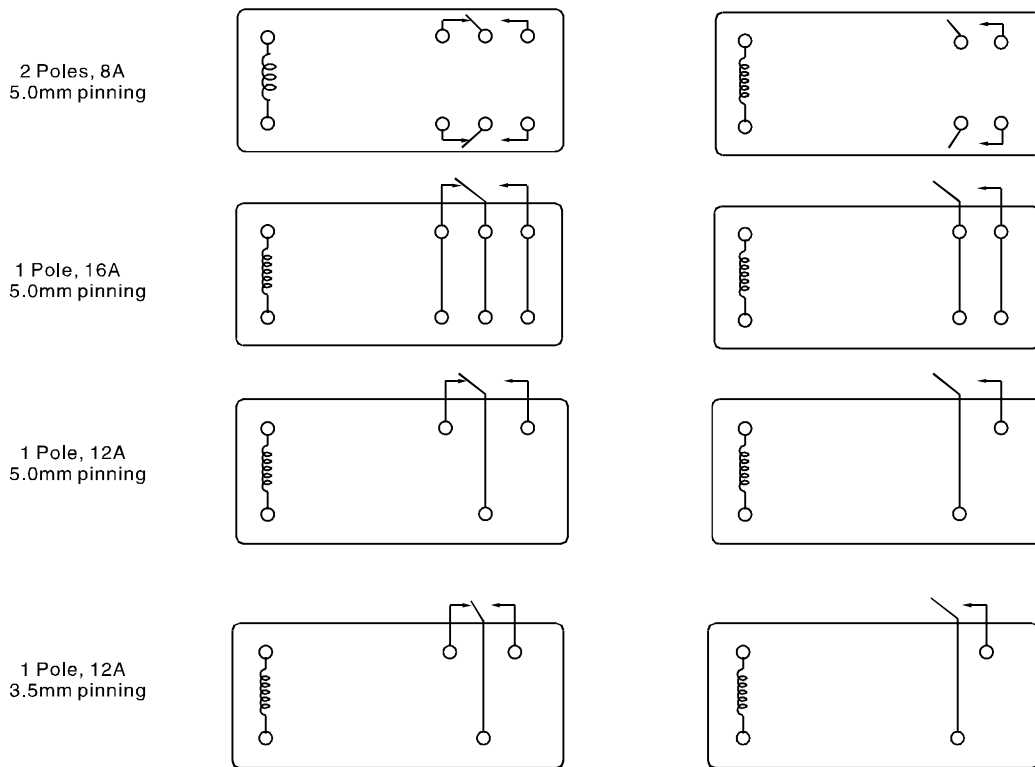
Ordering Information

Nomenclature									
SM	-S	-1	12	D	M	H	1-	F-XX	Special Parameter: Nil-Standard type, Letter or number-Special requirement
									Insulation System: Nil-Standard, B-Class B, F-Class F
									ContactMaterial : Nil-AgNi,1-AgSnO2
									Contact Capacity: Nil-1 pole, 16A, 5.0mm pinning or 2 poles, 8A, 5.0mm pinning; H-1 pole, 12A, 5.0mm pinning; T-1 pole, 12A, 3.5mm pinning
									Contact Form: Nil-Form C, M-Form A
									Coil Power: D-0.4W
									Coil Voltage(VDC):05,06,09,12,15,18,24,48,60,110
									Number of Poles: 1-1 Pole, 2-2 Poles
									Protective Construction: S-Flux proofed SH-Sealed type washable
									Type Designation: SM

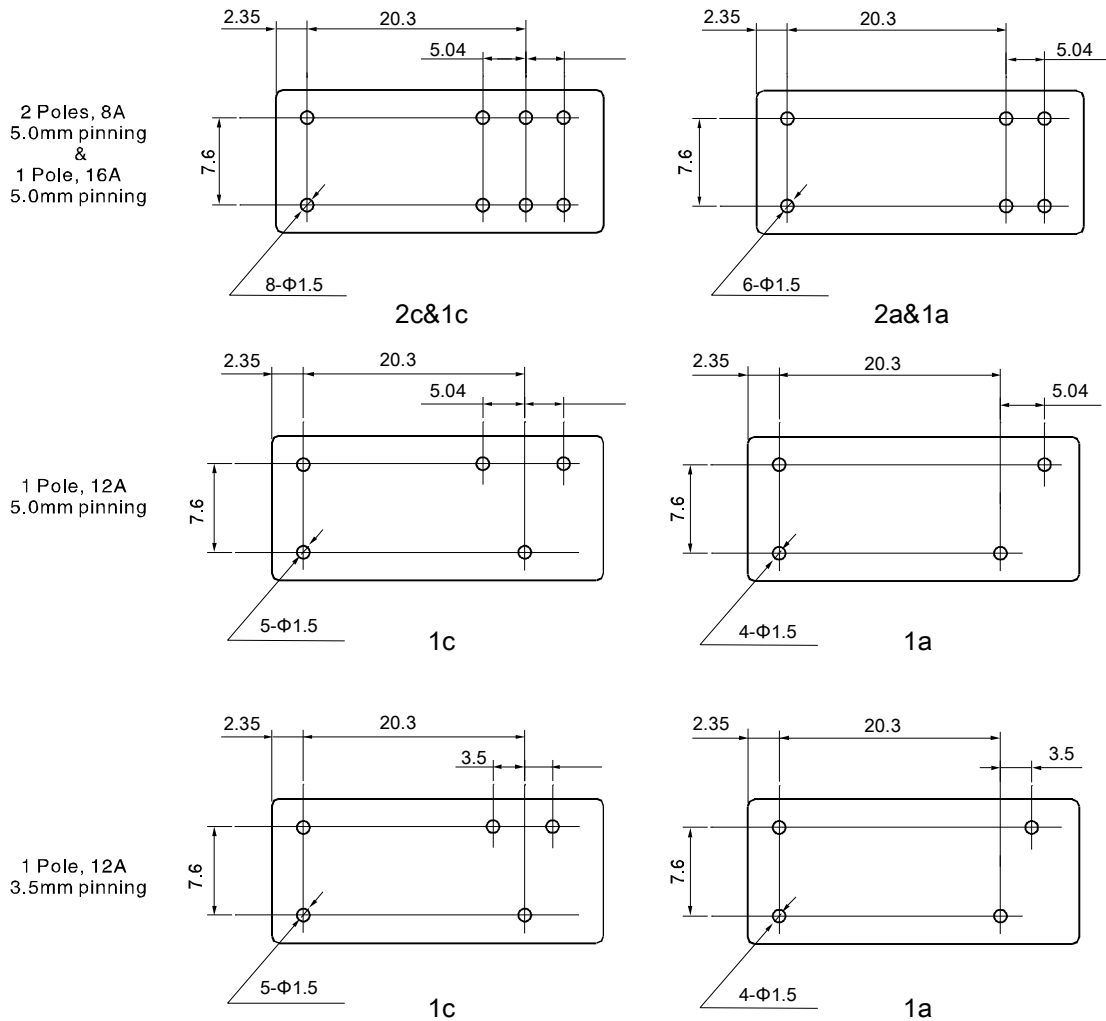
Outline Dimensions, Wiring Diagram, P.C. Board Layout (unit: mm)



Unless otherwise specified:
 If dimension < 1mm, tolerance: ±0.2mm;
 If dimension 1~5mm, tolerance: ±0.3mm;
 If dimension > 5mm, tolerance: ±0.4mm.
 Note: 1. Extended terminal dimension is dimension before soldering.
 2. Tolerance of P.C.B. layout: ±0.1mm.



Wiring Diagram (bottom view)



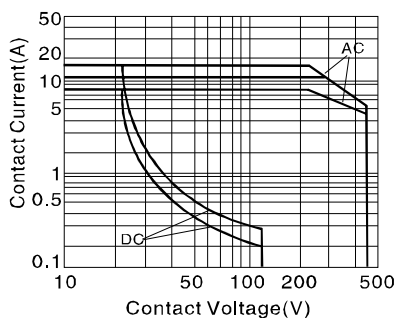
P.C.B. Layout (bottom view)

Typical Applications

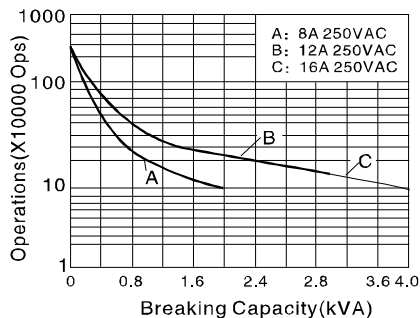
● Home appliances, washing machine, air conditioner, microwave oven, audio equipment, monitor, industrial control equipment, instrument, etc.

Characteristic Curves

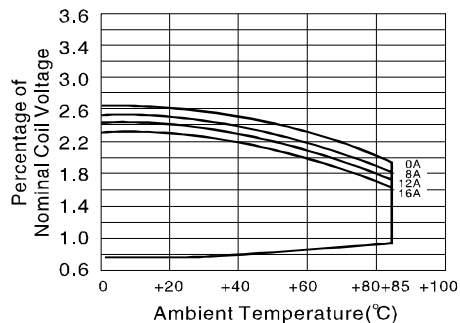
Maximum Switching Power



Endurance Curve



Coil Operating Range



Disclaimer:

This datasheet is the customer's reference. All the specifications are subject to change without notice. We could not evaluate all the performance and all the parameters for every possible application. Thus the user should in a right position to choose the suitable product for their own application. If there is any query, please contact Sanyo for the technical service. However it is the user's responsibility to determine which product should be used only.