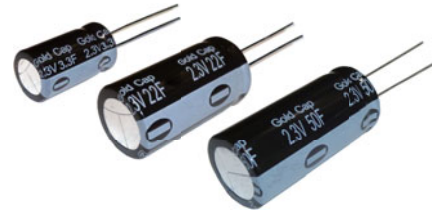


Radial lead Type

Series : HW



Features

- Guaranteed at 70 °C (60°C 1000 h)
- Can be discharge mA or more current
- RoHS compliant

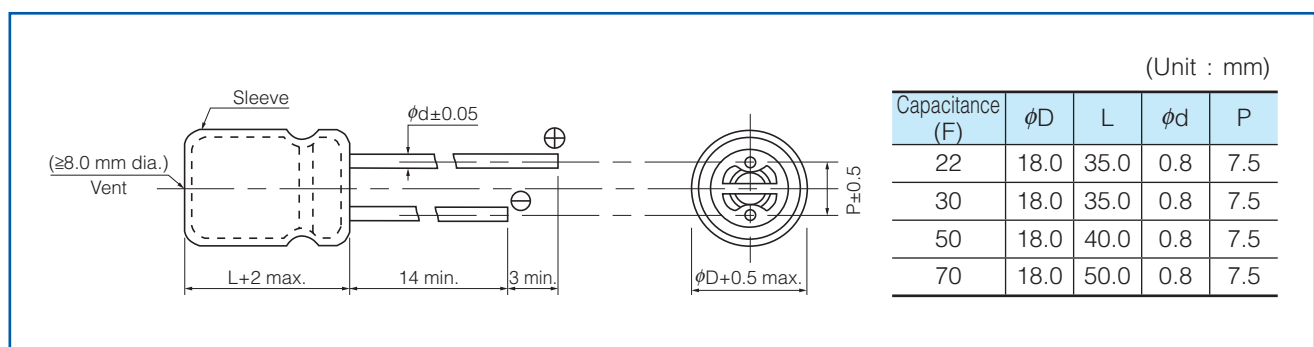
Recommended Applications

- Solar battery operated circuits (Road guidance flasher), Quick charging motor drives (Toy car)
- Back-up Power Supplies (UPS)

Specifications

Category temp. range	-25 °C to +70 °C		-25 °C to +60 °C	
Maximum operating voltage	2.3 V.DC		2.3 V.DC	2.1 V.DC
Nominal cap. range	22 F		30, 50 F	70 F
Characteristics at low Temperature	Capacitance change	±30 % of initial measured value at +20 °C (at -25 °C)		
	Internal resistance	≤ 4 times of initial measured value at +20 °C (at -25 °C)		
Endurance	After 1000 hours application of 2.3 V.DC at +70 °C (+60 °C), the capacitor shall meet the following limits.			
	Capacitance change	±30 % of initial measured value		
Shelf Life	After 1000 hours storage at +70 °C (+60 °C) without load, the capacitor shall meet the specified limits for Endurance.			
	Internal resistance	≤ 2 time of initial specified value		

Dimensions in mm(not to scale)



Characteristics list

* : 10 F or less HW series is not recommended for new design. Please consider HZ series.

Category temp. range (°C)	Maximum operating voltage (V.DC)	Capacitance (F)	Capacitance tolerance (F)	Internal resistance (Initial specified value) (Ω) at 1 kHz	Recommended discharge current (A)	Parts number	Mass (Reference value) (g)	Min. packaging q'ty (pcs)
-25 to +70	2.3	22	17.6 to 30.8	≤ 0.1	1 or less	EECHW0D226	12.0	50
		30	24.0 to 42.0	≤ 0.1	1 or less	EECHW0D306	14.0	50
-25 to +60	2.1	50	40.0 to 70.0	≤ 0.1	1 or less	EECHW0D506	15.0	50
		70	56.0 to 98.0	≤ 0.1	1 or less	EECHW0D706	19.0	50

Note : 1. Do not use reflow soldering. (IR, Atmosphere heating methods, etc.)
Please refer to the page of "Application guidelines".