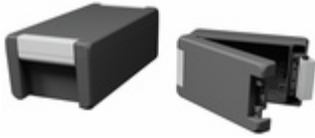


BA 141309-7024



Bocube Alu
Enclosure with smooth lid, graphite grey, covers anodised, hinged

Order no.: 00113234

Colour of enclosure group

Graphite grey, similar to RAL 7024; light grey, similar to RAL 7035; special colours on request

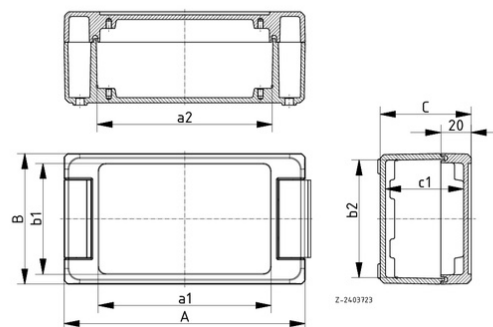
Protection class

IP 66 / IP 67 / IP 69 DIN EN 60529

Enclosure material

Enclosure: GD Al Si 12, seal PU foamed; Hinges / covers: Al Mg Si 0.5 powder-coated / natural-coloured anodised

Scope of delivery: enclosure incl. hinge and fixing material



| | |
|-----------|----------|
| A | 159 mm |
| B | 128 mm |
| C | 90 mm |
| a1 | - mm |
| a2 | 114,5 mm |
| b1 | - mm |
| b2 | 118,5 mm |
| c1 | 83,5 mm |

Technical drawings

Catalogue drawing in DXF format:
[00113234_BA-141309-7024.dxf](#) (2.9 MB)
Catalogue drawing in PDF format:
[00113234_BA-141309-7024.pdf](#) (229 KB)
3D product data in STEP format:
[Registration necessary](#)
Basic drawing for processing work:
[00113234_BA-141309-7024-G.dxf](#) (2.1 MB)

Assembly instructions

[Bocube Alu_00911501.pdf](#) (127 KB)

Chapter download

[Bocube Alu_GB.pdf](#) (1.7 MB)

* = Available on request