

BA 281709 F-7024



Bocube Alu
Enclosure with membrane lid, graphite grey, covers anodised, hinged

Order no.: 00126334

Colour of enclosure group

Graphite grey, similar to RAL 7024; light grey, similar to RAL 7035; special colours on request

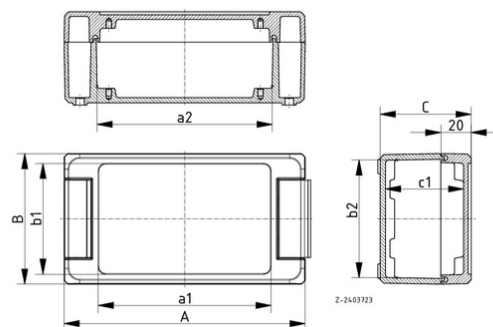
Protection class

IP 66 / IP 67 / IP 69 DIN EN 60529

Enclosure material

Enclosure: GD Al Si 12, seal PU foamed; Hinges / covers: Al Mg Si 0.5 powder-coated / natural-coloured anodised

Scope of delivery: enclosure incl. hinge and fixing material



A	299 mm
B	173 mm
C	90 mm
a1	253,5 mm
a2	254,5 mm
b1	159,5 mm
b2	163,5 mm
c1	81,5 mm

Technical drawings

Catalogue drawing in DXF format:

[00126334_BA-281709-F-7024.dxf](#) (3.0 MB)

Catalogue drawing in PDF format:

[00126334_BA-281709-F-7024.pdf](#) (240 KB)

3D product data in STEP format:

[Registration necessary](#)

Basic drawing for processing work:

[00126334_BA-281709-F-7024-G.dxf](#) (2.2 MB)

Assembly instructions

[Bocube Alu_00911501.pdf](#) (127 KB)

Chapter download

[Bocube Alu_GB.pdf](#) (1.7 MB)

* = Available on request