

BA 281706 F-7035



Bocube Alu
Enclosure with membrane lid, light grey, hinged

Order no.: 00126325

Colour of enclosure group

Graphite grey, similar to RAL 7024; light grey, similar to RAL 7035; special colours on request

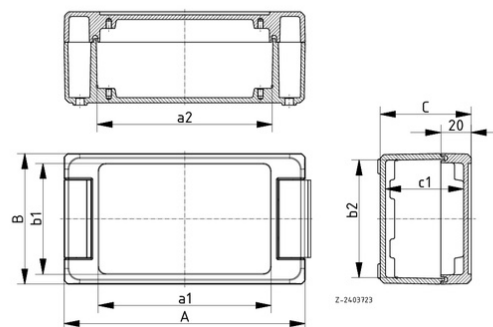
Protection class

IP 66 / IP 67 / IP 69 DIN EN 60529

Enclosure material

Enclosure: GD Al Si 12, seal PU foamed; Hinges / covers: Al Mg Si 0.5 powder-coated / natural-coloured anodised

Scope of delivery: enclosure incl. hinge and fixing material



| | |
|-----------|----------|
| A | 299 mm |
| B | 173 mm |
| C | 60 mm |
| a1 | 253,5 mm |
| a2 | 255,5 mm |
| b1 | 159,5 mm |
| b2 | 164,5 mm |
| c1 | 51,5 mm |

Technical drawings

Catalogue drawing in DXF format:

[00126325_BA-281706-F-7035.dxf](#) (3.0 MB)

Catalogue drawing in PDF format:

[00126325_BA-281706-F-7035.pdf](#) (237 KB)

3D product data in STEP format:

[Registration necessary](#)

Basic drawing for processing work:

[00126325_BA-281706-F-7035-G.dxf](#) (2.1 MB)

Assembly instructions

[Bocube Alu_00911501.pdf](#) (127 KB)

Chapter download

[Bocube Alu_GB.pdf](#) (1.7 MB)

* = Available on request