

A

B

C

D

E

F

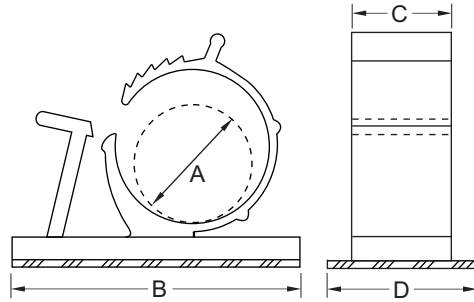
G

H

1

2

3



Material: PP
Flame class: 94V-2

4

5

6

Part No.	Color	A (mm)	B (mm)	C (mm)	D (mm)
WCN-10-20S	Natural	11 ~ 13.5	25.4	10	19
WCN-13-20S	Natural	11 ~ 15	32	10	19
WCN-16-15S	Natural	15 ~ 18	38	13	19
WCN-20-10S	Natural	18.5 ~ 22.5	42	13	25.4
WCN-25-10S	Natural	23 ~ 27	42	13	25.4
WCN-10BK-20S	Black	11 ~ 13.5	25.4	10	19
WCN-13BK-20S	Black	11 ~ 15	32	10	19
WCN-16BK-15S	Black	15 ~ 18	38	13	19
WCN-20BK-10S	Black	18.5 ~ 22.5	42	13	25.4
WCN-25BK-10S	Black	23 ~ 27	42	13	25.4

DRAW No SU-10030009

DATE REVISION

APPROVAL BY

DIMENSION mm

MODEL No See Table

DRAW BY Holi

NAME Adjustable Wire Mount

APPROVAL BY Camily

DATE 16-05-23