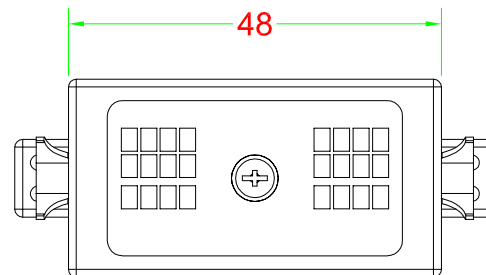
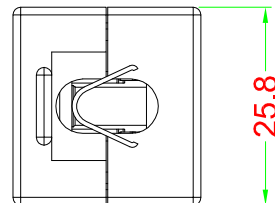
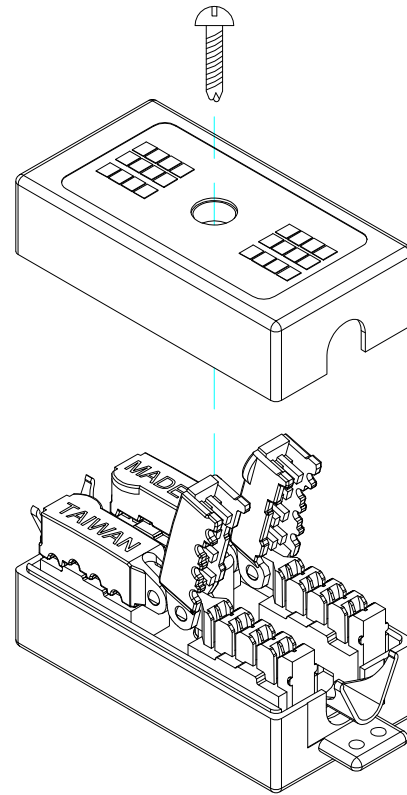
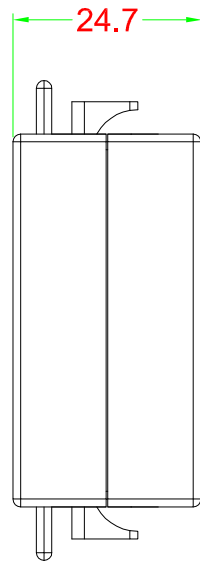


C6 INLINE COUPLER FTP



Performance:

Meets C6 EIA/TIA 568B Standard.

Materials:

Body : ABS & Chromium Plated

PCB : FR-4 / UL-94V0

IDC Cap : Fireproof PC

IDC Body : Fireproof ABS UL-94V0

IDC Pin : Phosphor Bronze & Tinned

IDC Description : For 22-26 AWG.

For 110 or Krone punch-down Tool

Tooless (when use IDC cap directly)

Electrical Specifications:

Insulation Resistance : 500M ohms (min.)

Contact Resistance : 20m ohms (max.)

Current Rating : 1.5 Amps

DC Resistance : 0.1 ohms (max.)

Withstanding Voltage : 1000 VAC RMS @ 60Hz / 1 min.

Mechanical Specifications:

IDC Punch Down Cycle : Over 250 cycles

Operation Temperature : -40 °C ~ +70 °C

Operation humidity : 10%~90% RH

Storage temperature : -40 °C ~ +70 °C

Storage humidity : 10%~90% RH

DRAW NO:		ITEM NO:	
	APPR	CUSTOMER:	
UNIT: m/m	DESIGN	DATE:	
SCALE:	Ref. NO:	TOLERANCE:	· ± 1 · X ± 0.2 · XX ± 0.15