

The PMD Series is a thru-hole mountable pressure monitoring device suitable for low to medium pressure applications.

COMPANY: Merit Sensor is a leader in piezoresistive pressure sensing and partners with clients to create high performing solutions for a variety of applications and industries.

SENTIUM: Merit Sensor products incorporate a proprietary Sentium® technology developed to provide a best-in-class operating temperature range (-40°C to 85°C) and superior stability.

TECHNOLOGY: Merit Sensor utilizes a piezoresistive Wheatstone bridge in a design that anodically bonds glass to a chemically etched silicon diaphragm. All products are RoHS compliant.

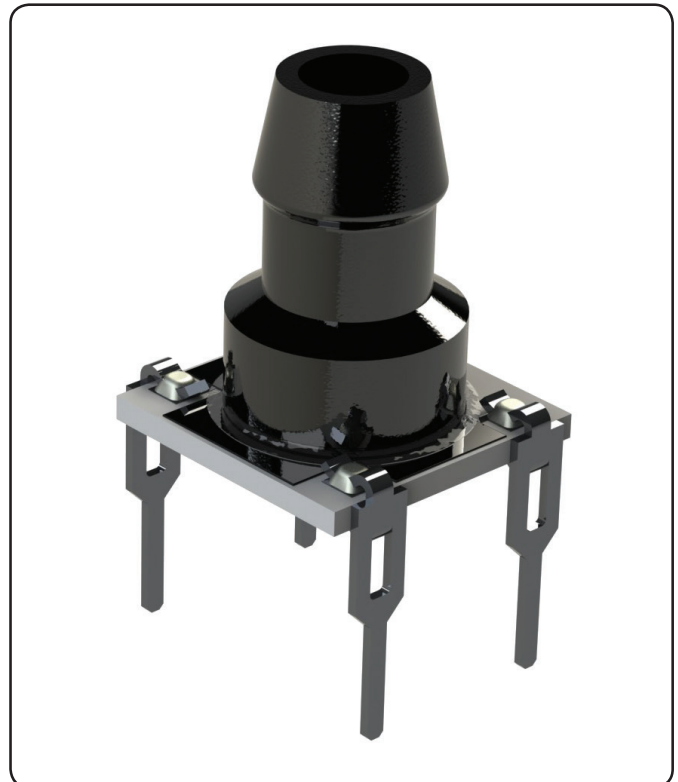
CAPABILITIES: Merit Sensor designs, engineers, fabricates, dices, assembles, and tests products from a state-of-the-art facility near Salt Lake City, Utah.

FEATURES

Range	5 to 50 psi (0.34 to 3.5 bar; 34.5 to 345 KPa)
Type	Absolute, gage
Media	Clean, dry air and non-corrosive gases
Packaging	Trays
Customization	Sensitivity, resistance, bridge, constraint, etc.

BENEFITS

Performance	Enjoy best-in-class performance due to Merit's proprietary Sentium technology.
Cost	Save money over time with high-performing die
Security	Feel confident doing business with an experienced company backed by a solid parent company (NASDAQ: MMSI)
Speed	Get to market quickly with creative and flexible solutions.
Service	Experience prompt, personal, and professional support.



PMD Series Part Number Configurator



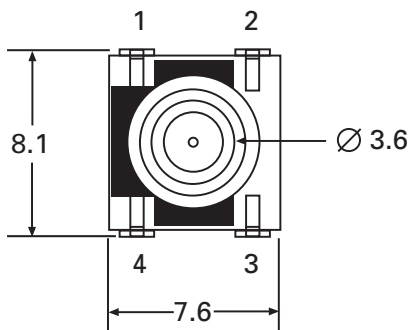
Example: PMDG-005 is gage, 5psi

PMD Series Standard Part Numbers

PMDG-005	PMDG-030	PMDG-050
PMDG-015	PMDA-030	PMDA-050

SPECIFICATIONS

Parameter	Minimum	Typical	Maximum	Units	Notes
Electrical & Environmental					
Excitation (In)		5	15	V	Maximum: 3 mA
Impedance	4000	5000	6000	Ω	
Operating Temperature	-40		85	°C	
Storage Temperature	-55		100	°C	
Mechanical					
Barb Torque Shear	22			lbf	See barb drawing
Barb Torque Shear – Post Exposure	16			lbf	60°C for 7 days @ 95% RH
Compatibility with Silicone Oil	All electrical and mechanical parameters have been qualified to meet the specification after exposure to silicone oil for one week at operating temperatures				
Performance					
Offset	-5	0	5	mV/V	Zero pressure; gage only; @25°C
Non-linearity	-0.2	0	0.2	% FSO	Best Fit Straight Line; @25°C
Pressure Hysteresis	-0.1	0	0.1	% FSO	@25°C
Temp Coeff – Zero	-25	0	25	$\mu\text{V}/\text{V}/^\circ\text{C}$	-40°C to 85°C
Temp Coeff – Resistance	2300	2800	3300	PPM/°C	-40°C to 85°C
Temp Coeff – Sensitivity	-1500	-2200	-2500	PPM/°C	-40°C to 85°C
Thermal Hysteresis	-0.25	0	0.25	% FSO	Zero pressure
Long-Term Stability	-0.25	0	0.25	% FSO	
Burst Pressure	3X				Full scale pressure
Full-Scale Output (@ 5 volts excitation)					
5 psi (0.34 bar; 34.5 KPa)	46	57.5	69	mV	Additional outputs available upon request
15 psi (1 bar; 103 KPa)	90	112.5	135	mV	
30 psi (2.1 bar; 207 KPa)	120	150	180	mV	
50 psi (3.5 bar; 345 KPa)	125	150	175	mV	

DIMENSIONS AND ELECTRICAL (millimeters)


Pin Out	
1	+ In
2	+ Out
3	- In
4	- Out

