

## Data sheet

### Article Description

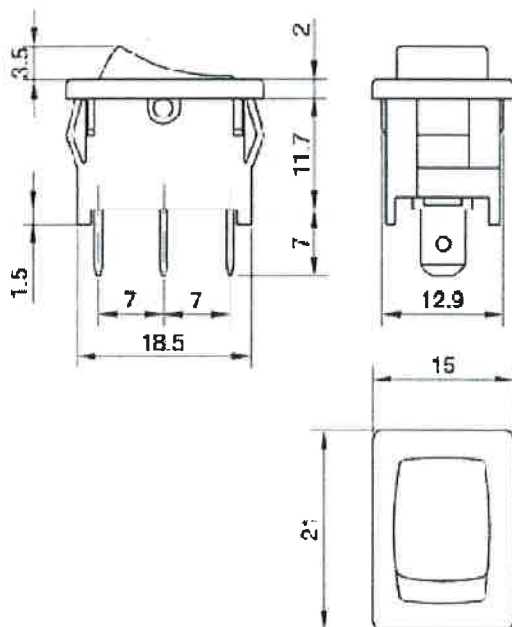
#### Rocker Switch Type 3631

10 (4) A, 250 V, 1-pole, **change-over-switch**,  
**non-illuminated**, T 125°,  
fitting dimension 19 x 13 mm,  
faston 4.8 x 0.8 mm

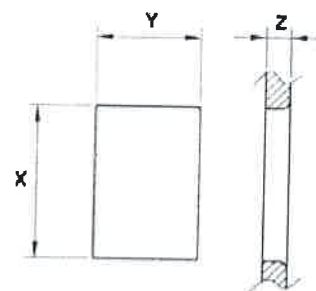
### Article Picture



### Dimensions (mm)



### Cut out (mm)



Z	Y	X
0.7 ... 1.25	13.0 ± 0.1	19.0 + 0.1
1.25 ... 2	13.0 ± 0.1	19.3 + 0.2
2.0 ... 3	13.0 ± 0.1	19.6 + 0.2

inter BÄR-No.	Colour housing/rocker	Marking
3631-100.22	black/black	no marking

**Technical modifications reserved!**  
**Works at 230 V-mains must only be carried out by a specialist!**