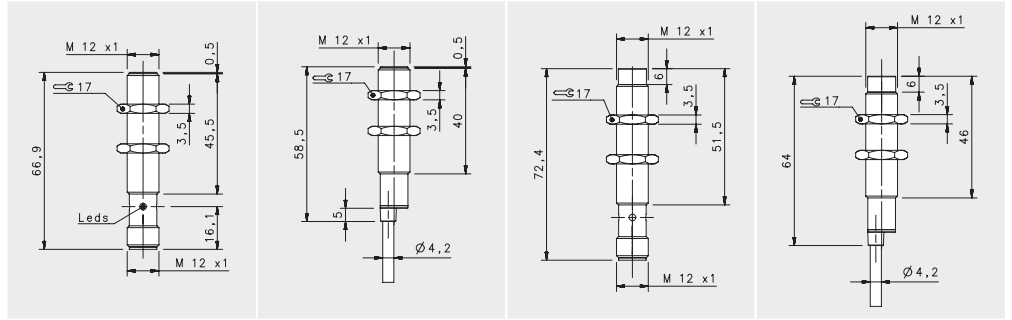


# BASIC M12



## STANDARD

### FLUSH

### NON FLUSH

M12 conn

cable

M12 conn

cable

### NOMINAL SWITCHING DISTANCE

				2 mm	2 mm	4 mm	4 mm
				M12 conn	cable	M12 conn	cable
10-30 Vdc	PNP/NPN NO-NC	4 wires	order No.	IS-12-A0-S2 95B064060	IS-12-A0-03 95B064030	IS-12-C0-S2 95B064080	IS-12-C0-03 95B064040
10-30 Vdc	PNP NO	3 wires	order No.	IS-12-A1-S2 95B061251	IS-12-A1-03 95B061241	IS-12-C1-S2 95B061651	IS-12-C1-03 95B061641
10-30 Vdc	PNP NC	3 wires	order No.	IS-12-A2-S2 95B061281	IS-12-A2-03 95B061271	IS-12-C2-S2 95B061681	IS-12-C2-03 95B061671
10-30 Vdc	NPN NO	3 wires	order No.	IS-12-A3-S2 95B061191	IS-12-A3-03 95B061181	IS-12-C3-S2 95B061591	IS-12-C3-03 95B061581
10-30 Vdc	NPN NC	3 wires	order No.	IS-12-A4-S2 95B061221	IS-12-A4-03 95B061211	IS-12-C4-S2 95B061621	IS-12-C4-03 95B061611
10-30 Vdc	PNP NO-NC	4 wires	order No.	---	---	---	---
10-30 Vdc	NPN NO-NC	4 wires	order No.	---	---	---	---
10-30 Vdc	NO-NC	2 wires	order No.	IS-12-A9-S2 95B063931	IS-12-A9-03 95B064100	IS-12-C9-S2 95B064140	IS-12-C9-03 95B064110
20-250 Vac/Vdc	NO	2 wires	order No.	---	---	---	---
20-250 Vac/Vdc	NC	2 wires	order No.	---	---	---	---
20-250 Vac	NO	2/3wires	order No.	---	---	---	---
10-30 Vdc	Analog 0-20 mA	3 wires	order No.	---	---	---	---
NAMUR amplifier	NAMUR	2 wires	order No.	---	---	---	---

	10-30 Vdc (-15/10%)	10-30 Vdc (-15/10%)	10-30 Vdc (-15/10%)	10-30 Vdc (-15/10%)
Nominal Voltage	10-30 Vdc (-15/10%)	10-30 Vdc (-15/10%)	10-30 Vdc (-15/10%)	10-30 Vdc (-15/10%)
Residual Ripple	< 10%	< 10%	< 10%	< 10%
Hysteresis	< 10%	< 10%	< 10%	< 10%
Max. Output Current	200mA; 100 mA (2wires)	200mA; 100 mA (2wires)	200mA; 100 mA (2wires)	200mA; 100 mA (2wires)
Min. Output Current	> 1,6 mA (2wires)	> 1,6 mA (2wires)	> 1,6 mA (2wires)	> 1,6 mA (2wires)
Residual Current	< 10mA; < 1,6 mA (2wires)	< 10mA; < 1,6 mA (2wires)	< 10mA; < 1,6 mA (2wires)	< 10mA; < 1,6 mA (2wires)
Voltage Drop	< 1,8V; < 6,5 V (2wires)	< 1,8V; < 6,5 V (2wires)	< 1,8V; < 6,5 V (2wires)	< 1,8V; < 6,5 V (2wires)
Operation Led	Yellow	Yellow	Yellow	Yellow
Switching Frequency	1000 Hz/200 Hz (2 wires NO-NC)	1000 Hz/200 Hz (2 wires NO-NC)	1000 Hz/200 Hz (2 wires NO-NC)	1000 Hz/200 Hz (2 wires NO-NC)
Start Up Delay	< 50 ms	< 50 ms	< 50 ms	< 50 ms
Repeatability	< 3%	< 3%	< 3%	< 3%
Short Circuit Protection	Present (self-resetting)	Present (self-resetting)	Present (self-resetting)	Present (self-resetting)
Electric Protection	Against polarity reversal inductive loads	Against polarity reversal inductive loads	Against polarity reversal inductive loads	Against polarity reversal inductive loads
Temperature Limit	(-25 ... +70 °C)	(-25 ... +70 °C)	(-25 ... +70 °C)	(-25 ... +70 °C)
Protection Degree	IP67	IP67	IP67	IP67
Cable Length	---	2 m	---	2 m
Cable Section	---	2/3/4 x 0,25 mm <sup>2</sup>	---	2/3/4 x 0,25 mm <sup>2</sup>
Housing Material	Nickel-plated brass	Nickel-plated brass	Nickel-plated brass	Nickel-plated brass
Weight - Cable Output	---	110 g	---	110 g
Weight - M12 Connector Output	60 g	---	60 g	---