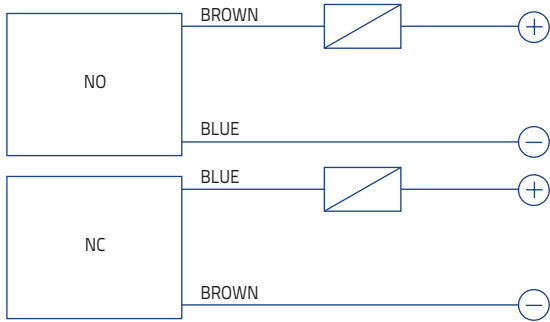


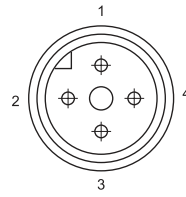
CABLES, CONNECTORS & ACCESSORIES

2 WIRES SENSORS

2 WIRES NO-NC



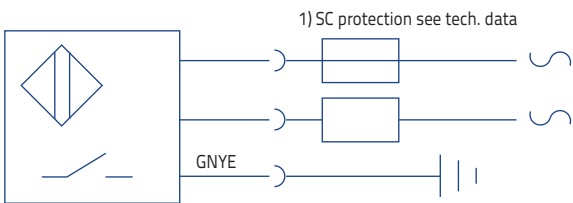
WARNING: The load can be indifferently connected in series to the blue wire or to the brown wire to simulate NPN or PNP functioning logic.



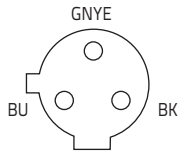
M12 connector

CONTACTS CONFIGURATION				
Available	Contacts numbers			
	1	2	3	4
NO	+		-	
NC			+	

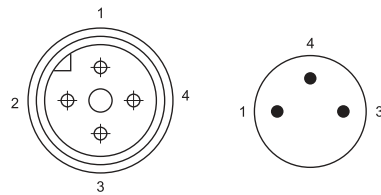
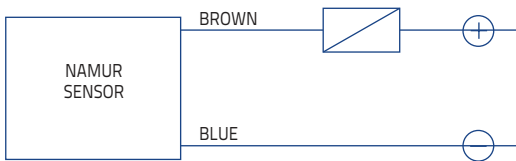
INDUCTIVE AC



Double key connector for inductive AC sensors



NAMUR



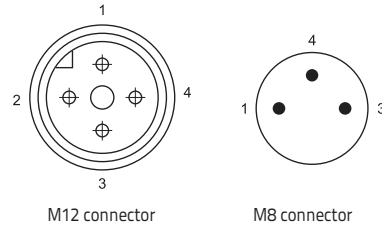
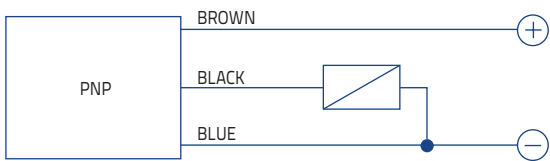
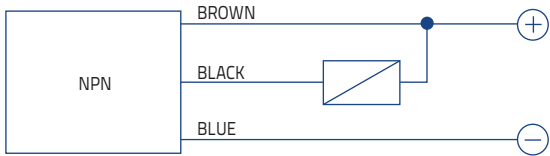
M12 connector

M8 connector

CONTACTS CONFIGURATION				
Available	Contacts numbers			
	1	2	3	4
NAMUR	+		-	

3 WIRES SENSORS

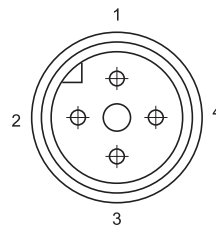
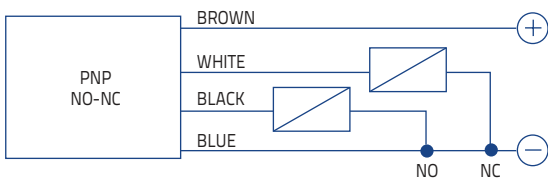
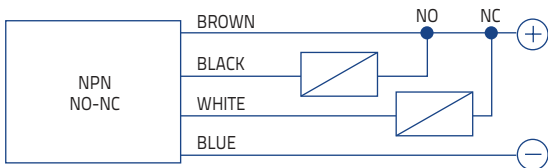
3 WIRES PNP or NPN, NO or NC



CONTACTS CONFIGURATION				
Available	Contacts numbers			
	1	2	3	4
(NO or NC)	+		-	NO/NC

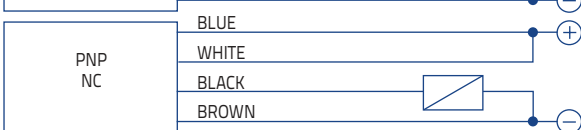
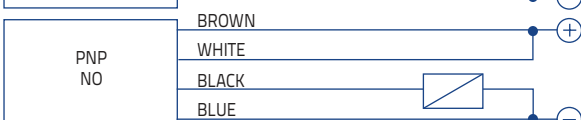
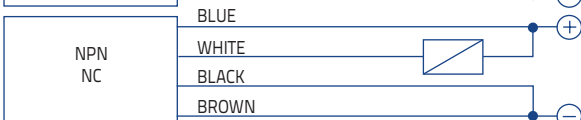
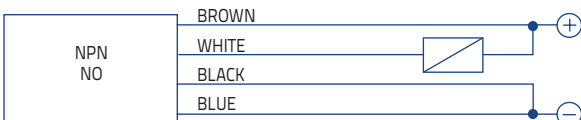
4 WIRES SENSORS

4 wires (NO+NC)



CONTACTS CONFIGURATION				
Output	Contacts numbers			
	1	2	3	4
NO + NC	+	NC	-	NO

4 wires (PNP/NPN, NO/NC)



CONTACTS CONFIGURATION				
Output	Contacts numbers			
	1	2	3	4
NPN NO	+	NO	-	-
NPN NC	-	NC	+	-
PNP NO	+	+	-	NO
PNP NC	-	+	+	NC

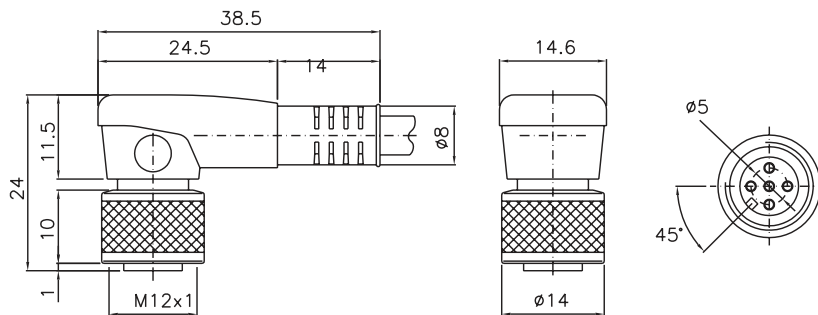
CABLES, CONNECTORS & ACCESSORIES

CONNECTOR & DIRECTION	WIRES	STYLE	CABLE LENGTH	MODEL	ORDER No.	
M8						
M8 Connector (Axial)	3	Grey, P.V.C.	3 m	CS-B1-01-G-03	95A251490	
			5 m	CS-B1-01-G-05	95A251510	
		P.U.R.	2 m	CS-B1-01-R-02	95A251580	
			5 m	CS-B1-01-R-05	95A251600	
M8 Connector (Radial 90°)	3	Grey, P.V.C.	3 m	CS-B2-01-G-03	95A251500	
			5 m	CS-B2-01-G-05	95A251520	
		P.U.R.	2 m	CS-B2-01-R-02	95A251590	
			5 m	CS-B2-01-R-05	95A251610	
M8 Connector (Axial)	4	Grey, P.V.C.	3 m	CS-B1-02-G-03	95A251420	
			5 m	CS-B1-02-G-05	95A251430	
			7 m	CS-B1-02-G-07	95A251440	
			10 m	CS-B1-02-G-10	95A251480	
		P.U.R.	2 m	CS-B1-02-R-02	95A251620	
			5 m	CS-B1-02-R-05	95A251640	
			OIL resistant (CEI 2034-01)	5 m	CS-B1-02-O-05	95A251730
				10 m	CS-B1-02-O-10	95A251100
M8 Connector (Radial 90°)	4	Grey, PVC	3 m	CS-B2-02-G-03	95A251450	
			5 m	CS-B2-02-G-05	95A251460	
			7 m	CS-B2-02-G-07	95A251470	
			10 m	CS-B2-02-G-10	95A251530	
		P.U.R.	2 m	CS-B2-02-R-02	95A251630	
			5 m	CS-B2-02-R-05	95A251650	
			OIL resistant (CEI 2034-01)	5 m	CS-B2-02-O-05	95A251720
				10 m	CS-B2-02-O-10	95A251110
M12						
M12 Connector (Axial)	3	Grey, P.V.C.	3 m	CS-A1-01-G-03	95A251290	
			5 m	CS-A1-01-G-05	95A251300	
			7 m	CS-A1-01-G-07	95A251320	
			10 m	CS-A1-01-G-10	95A251340	
M12 Connector (Radial 90°)	3	Grey, P.V.C.	3 m	CS-A2-01-G-03	95A251200	
			5 m	CS-A2-01-G-05	95A251210	
			7 m	CS-A2-01-G-07	95A251220	
			10 m	CS-A2-01-G-10	95A251230	
		OIL resistant (CEI 2034-01)	3 m	CS-A2-01-O-03	95A251660	
			5 m	CS-A2-01-O-05	95A251670	
			10 m	CS-A2-01-O-10	95A251680	
M12 Connector with LED (for PNP N.O. sensors) (Radial 90°)	3	Grey, P.V.C.	5 m	CS-A2-11-G-05	95A251310	
			10 m	CS-A2-11-G-10	95A251330	
Shielded M12 Connector (Axial)	3	Grey, P.V.C.	10 m	CV-A1-21-G-10	95ACC2060	
M12 Connector (Axial)	4	Grey, P.V.C.	3 m	CS-A1-02-G-03	95A251380	
			5 m	CS-A1-02-G-05	95A251270	
			7 m	CS-A1-02-G-07	95A251280	
			10 m	CS-A1-02-G-10	95A251390	
		P.U.R.	2 m	CS-A1-02-R-02	95A251540	
			5 m	CS-A1-02-R-05	95A251560	
M12 Connector (Radial 90°)	4	Grey, P.V.C.	3 m	CS-A2-02-G-03	95A251360	
			5 m	CS-A2-02-G-05	95A251240	
			7 m	CS-A2-02-G-07	95A251245	
			10 m	CS-A2-02-G-10	95A251260	
		P.U.R.	2 m	CS-A2-02-R-02	95A251550	
			5 m	CS-A2-02-R-05	95A251570	
			OIL resistant (CEI 2034-01)	5 m	CS-A2-02-O-05	95A251690
				10 m	CS-A2-02-O-10	95A251700

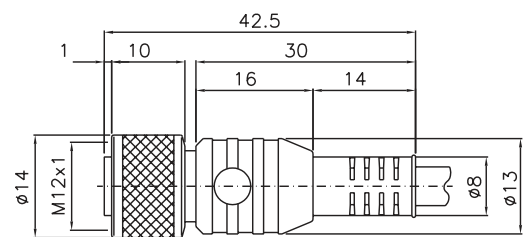
M12 Connector with LED (for PNP N.O. sensors) (Radial 90°)	4	Grey, P.V.C.	3 m	CS-A2-12-G-03	95A251400
			5 m	CS-A2-12-G-05	95A251350
			10 m	CS-A2-12-G-10	95A251370
Shielded M12 Connector (Axial)	4	Black, P.V.C.	3 m	CV-A1-22-B-03	95ACC1480
			5 m	CV-A1-22-B-05	95ACC1490
			10 m	CV-A1-22-B-10	95ACC1500
			15 m	CV-A1-22-B-15	95ACC2070
Shielded M12 Connector (Radial 90°)	4	Black, P.V.C.	3 m	CV-A2-22-B-03	95ACC1540
			5 m	CV-A2-22-B-05	95ACC1550
			10 m	CV-A2-22-B-10	95ACC1560
			25 m	CV-A1-22-B-25	95ACC2090
M12 Connector (Axial)	4	U.L., Black, P.V.C.	3 m	CS-A1-02-U-03	95ASE1120
			5 m	CS-A1-02-U-05	95ASE1130
			10 m	CS-A1-02-U-10	95ASE1140
			15 m	CS-A1-02-U-15	95ASE1150
			25 m	CS-A1-02-U-25	95ASE1160
CONNECTOR (not cabled)					
M12 Connector (Axial)	4	Black	Connector- not cabled	CS-A1-02-B-NC	G5085002
M12 Connector (Radial 90°)	4	Black	Connector- not cabled	CS-A2-02-B-NC	G5085003

CONNECTOR

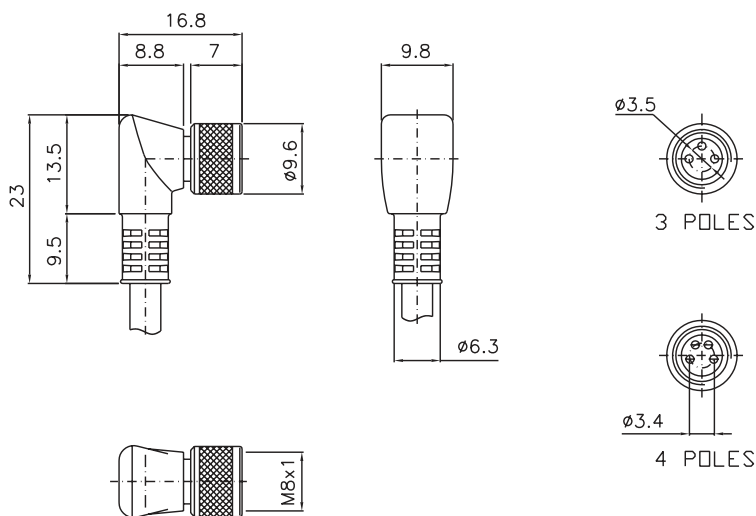
RADIAL M12



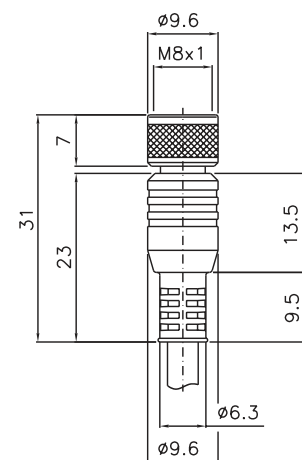
AXIAL M12



RADIAL M8



AXIAL M8

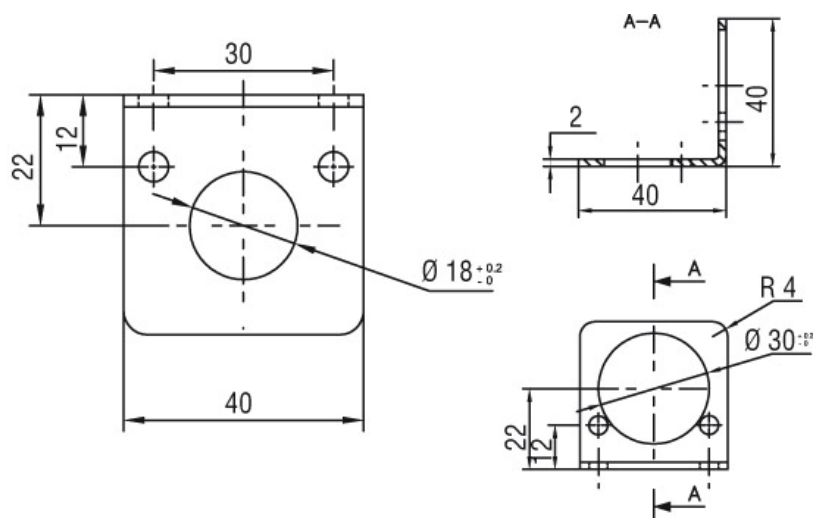


CABLES, CONNECTORS & ACCESSORIES

ACCESSORIES SELECTION AND ORDER INFORMATION

CONNECTOR	TYPE	MATERIAL	CODING	ORDER No.
M12	fixing bracket	Stainless Steel	ST1218	95ACC3340
M18	fixing bracket	Stainless Steel	ST1218	95ACC3340
M30	fixing bracket	Stainless Steel	ST1830	95ACC3350

ST1218



ST1830

