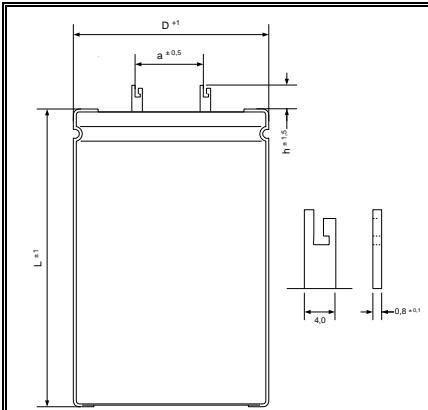


Drawing No. : 1013826  
 created: SBR 13/12/2016 10:43:00

Page 1 / 1

**Typ : LFA15304035066**

**RoHS Compliant**



$\varnothing D$  : 35 mm  
 L : 66 mm  
 a : 10 mm  
 h : 10 mm

Terminals : LF

**Electrical Parameters**

Rated Capacitance ( $C_R$ ) @ 100 Hz / 20 °C	<b>15000</b> $\mu\text{F}$	
Tolerance	<b>-10/ +30</b> %	
Rated Voltage ( $U_R$ )	<b>40</b> V	
Surge Voltage ( $U_S$ ) max. 5 x 1 min / h	<b>46</b> V	
Reverse Voltage ( $U_U$ ) max. 1 s	<b>2</b> V	
Leakage Current ( $I_L$ ) @ $U_R$ / 5 min / 20 °C	<b>3600</b> $\mu\text{A}$	
ESR typ. @ 100 Hz / 20°C	<b>23</b> m $\Omega$	
Tan $\delta$ typ. @ 100 Hz / 20°C	<b>22</b> %	
Z max. @ 10 kHz / 20°C	<b>19</b> m $\Omega$	
ESL typ.	<b>20</b> nH	
Rated Ripple Current ( $I_R$ ) @ 100 Hz / 85 °C	<b>5,1</b> A	
Useful life @ $I_R$ , $U_R$ , 85 °C	<b>5000</b> h	
IEC Climatic category / Standards	<b>40/085/56</b>	<b>IEC 60384-4</b>
Applications		