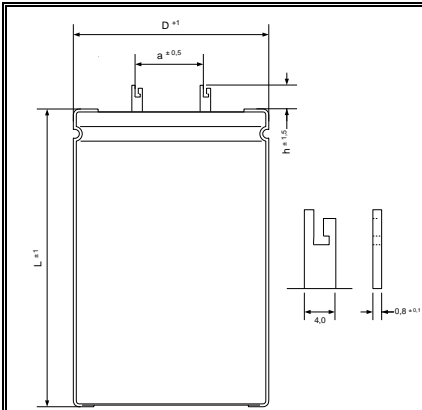


Drawing No. : 1013903
 created: SBR 13/12/2016 10:48:00

Page 1 / 1

Typ : LFA47210040066

RoHS Compliant



\varnothing D : 40 mm
 L : 66 mm
 a : 20 mm
 h : 10 mm

Terminals : LF

Electrical Parameters

Rated Capacitance (C_R) @ 100 Hz / 20 °C	4700 μ F	
Tolerance	-10/ +30 %	
Rated Voltage (U_R)	100 V	
Surge Voltage (U_S) max. 5 x 1 min / h	115 V	
Reverse Voltage (U_U) max. 1 s	2 V	
Leakage Current (I_L) @ U_R / 5 min / 20 °C	2820 μ A	
ESR typ. @ 100 Hz / 20°C	47 m Ω	
Tan δ typ. @ 100 Hz / 20°C	14 %	
Z max. @ 10 kHz / 20°C	38 m Ω	
ESL typ.	20 nH	
Rated Ripple Current (I_R) @ 100 Hz / 85 °C	3,8 A	
Useful life @ I_R , U_R , 85 °C	5000 h	
IEC Climatic category / Standards	40/085/56	IEC 60384-4
Applications		