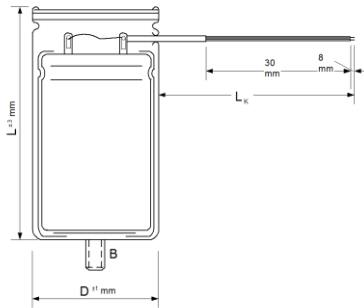


Drawing No. : 1016033
 created: SBR 15/12/2016 09:56:00

Page 1 / 1

Typ : MDK10132041,5085

RoHS Compliant



∅ D : 41,5 mm
 L : 85 mm
 L_k : 330 mm

B : M8 x 12

Terminals : wire

Max. torque:
 Stud: M8: 4,0 Nm, M12: 10,0 Nm

Electrical Parameters

| | | |
|--|-----------------|-----------------------|
| Rated Capacitance (C _R) @ 100 Hz / 20 °C | 100 μF | |
| Tolerance | ± 10 % | |
| Rated Voltage (U _R) | 320 V | |
| ED | 1,7 % | |
| VDE approval | Yes | |
| Tan δ typ. @ 100 Hz / 20°C | 4 % | |
| | | |
| | | |
| | | |
| | | |
| | | |
| | | |
| IEC Climatic category / Standards | 10/60/21 | DIN EN 60252-2 |
| Applications | motor start | |