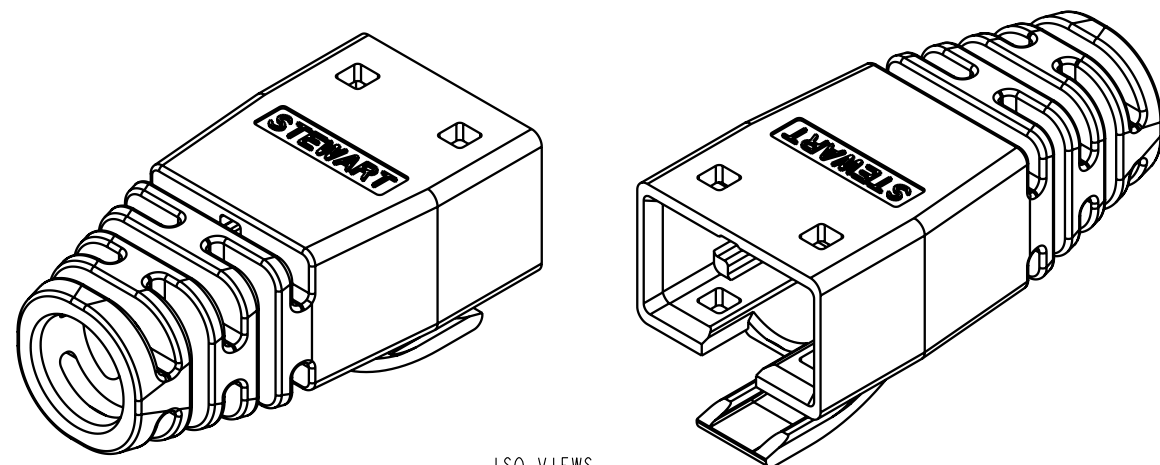
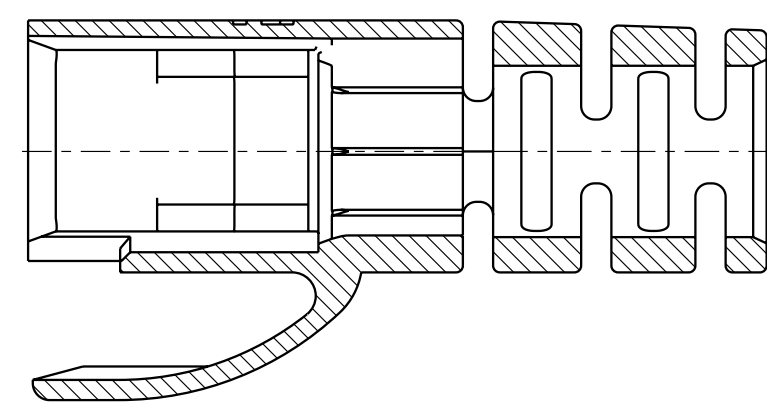
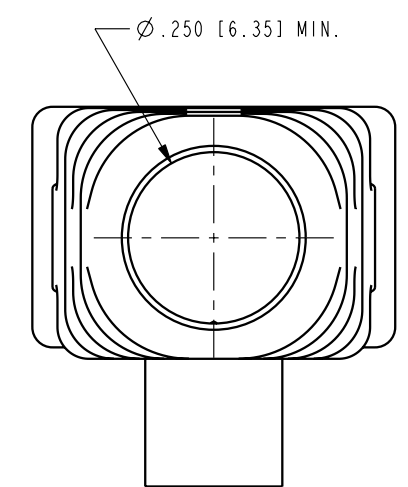
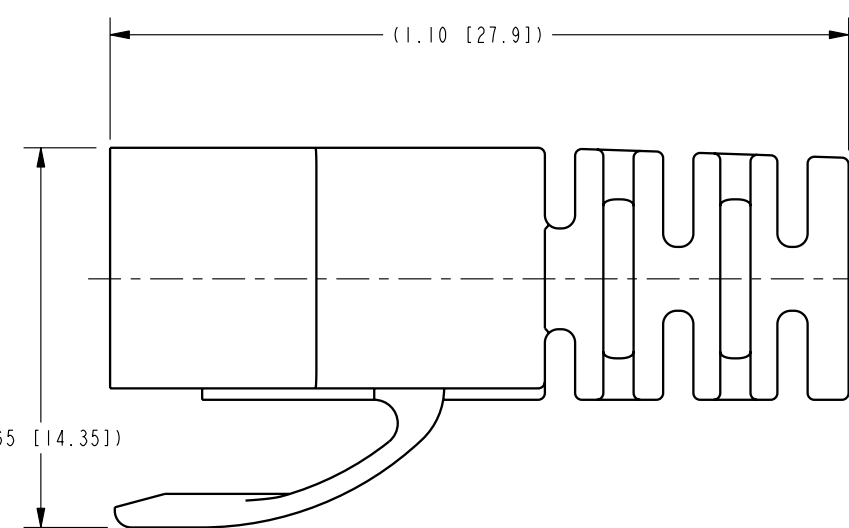
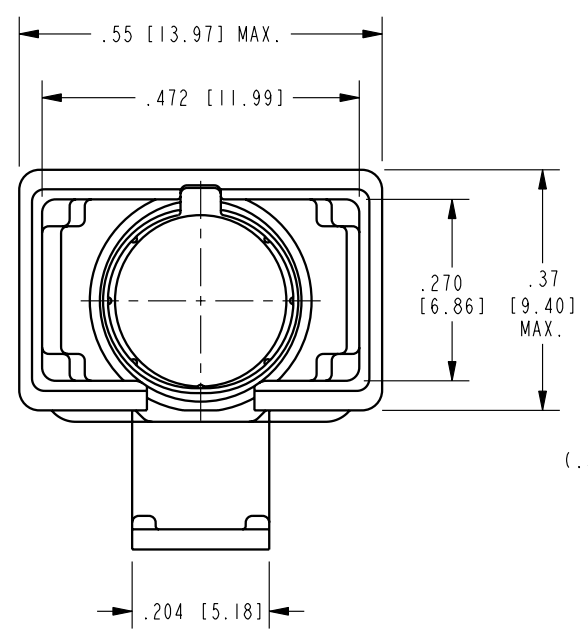


| DATE | REV. | ECN | APP'D BY |
|----------|------|------|----------|
| 5-8-07 | A4 | 8042 | TRM |
| 12-26-07 | B0 | 8318 | TRM |
| 6-23-08 | B1 | 8468 | TRM |



ISO VIEWS



| PART NUMBER | COLOR | RAL-Color Code |
|-------------|-------------|---------------------------------|
| 39200-838 | BLACK | 9011 |
| 39200-842 | CLOUD WHITE | 7035 |
| 39200-843 | DARK GREY | 7038 |
| 39200-844 | WHITE | 9010 |
| 39200-845 | RED | 3002 |
| 39200-846 | GREEN | 6016 |
| 39200-847 | YELLOW | 1012 |
| 39200-848 | BLUE | CUSTOM COLOR SIMILAR TO 5015 |
| 39200-849 | PURPLE | 4001 |
| 39200-850 | ORANGE | CUSTOM COLOR SIMILAR TO 2003 |

NOTES:

1. MATERIAL: POLYCARBONATE, UL 94-V0
2. GROMMET IS FOR CABLES WITH OUTSIDE NOMINAL DIAMETERS OF .232 [5.90] TO .248 [6.30].

THIRD ANGLE PROJECTION

DO NOT SCALE DRAWING
DRAWING IS SUBJECT TO CHANGE WITHOUT NOTICE

DIMENSIONS: INCHES [METRIC]

UNLESS OTHERWISE SPECIFIED
TOLERANCES ARE ±.005 [0.13]
ANGLES ARE ±1°

SHEET NO.
1 OF 1



Bel Stewart Connector

11118 Susquehanna Trail South
Glen Rock, PA 17327-9199
(717) 235-7512 Fax: (717) 235-7954 <http://www.stewartconnector.com>

TITLE: HARD MOLDED BOOT FOR CAT 6 SHIELDED PLUG

THIS DRAWING AND THE SUBJECT MATTER SHOWN THEREON ARE CONFIDENTIAL AND THE PROPRIETARY PROPERTY OF BEL STEWART CONNECTOR AND SHALL NOT BE REPRODUCED, COPIED, OR USED IN ANY MANNER WITHOUT PRIOR WRITTEN CONSENT OF BEL STEWART CONNECTOR. THE SUBJECT MATTER MAY BE PATENTED OR A PATENT MAY BE PENDING.

| | | | |
|----------|----------|------|---------|
| DRN BY: | TRM | DATE | 1-21-05 |
| APPD BY: | DHG | DATE | 1-21-05 |
| DWG. NO. | CT390038 | REV. | B1 |

B

B

A

A