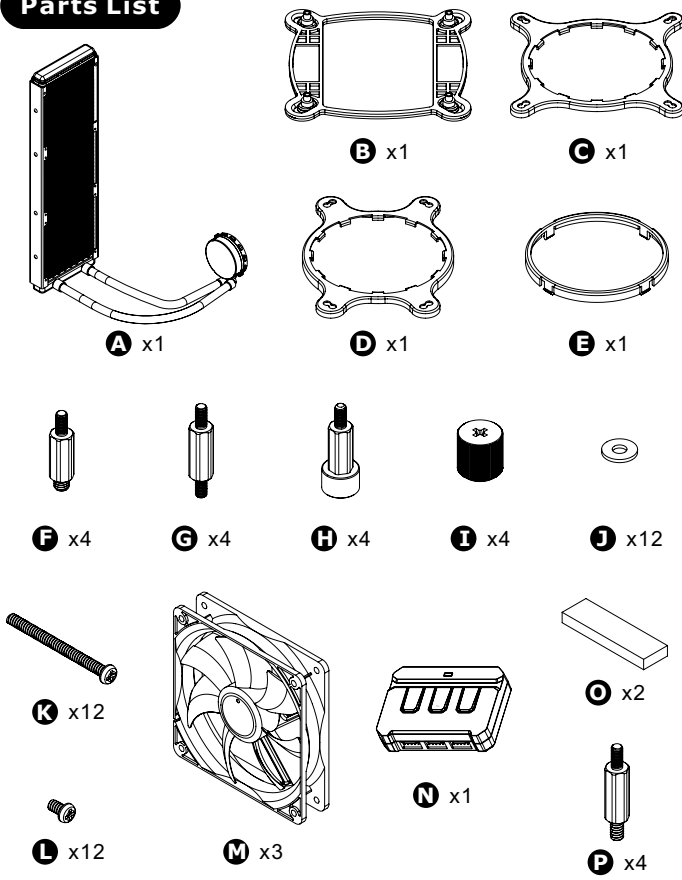


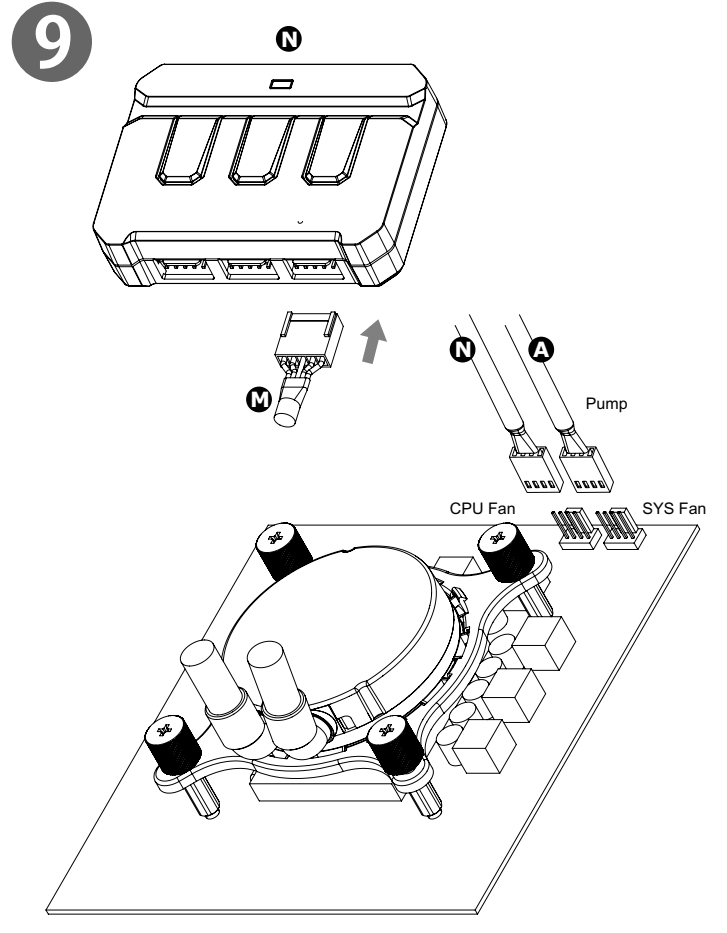
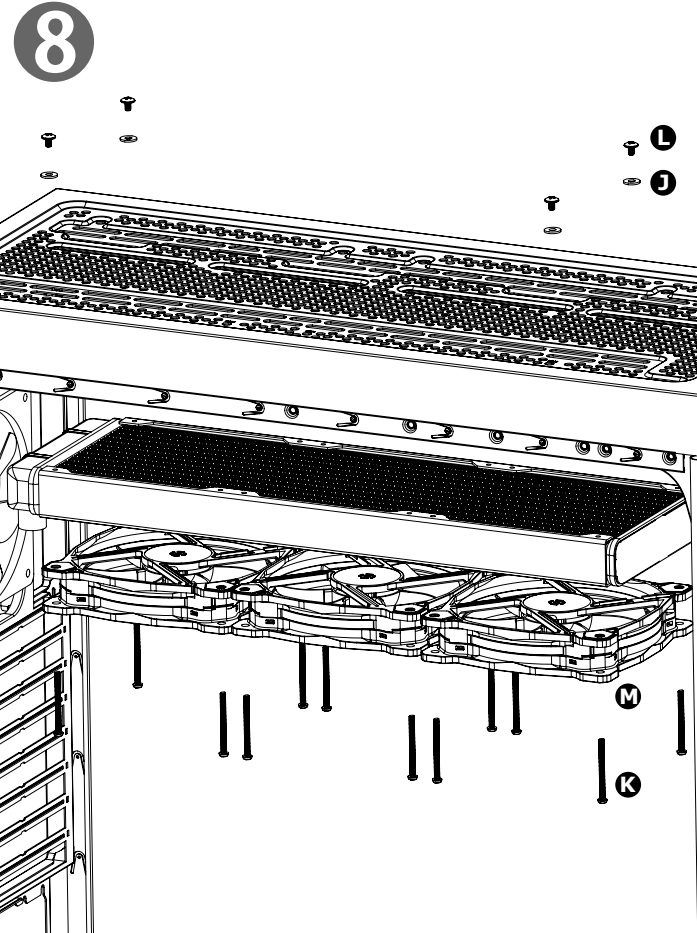
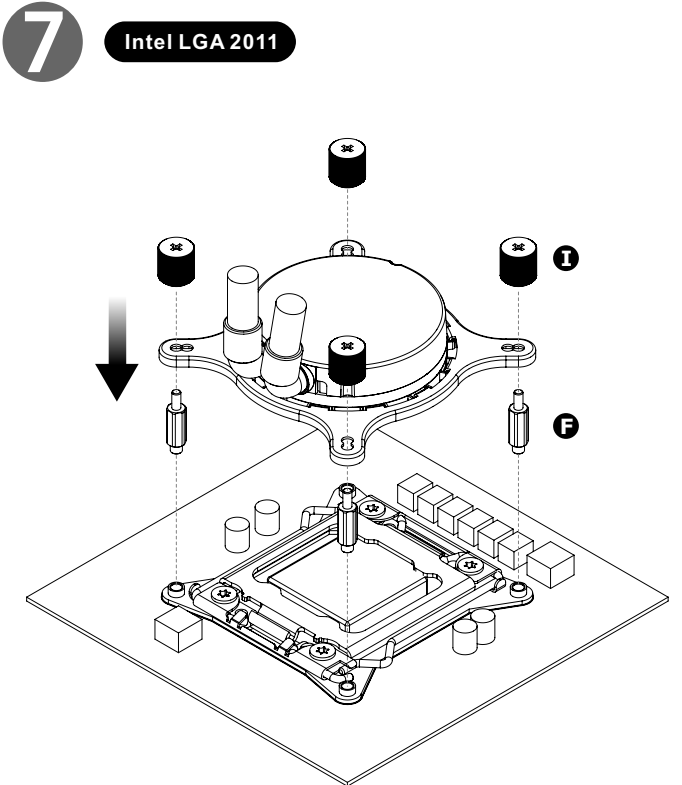
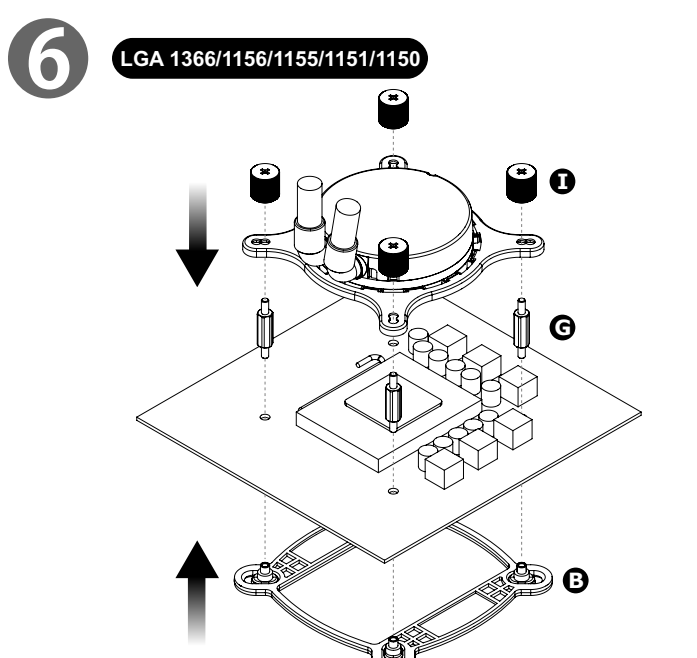
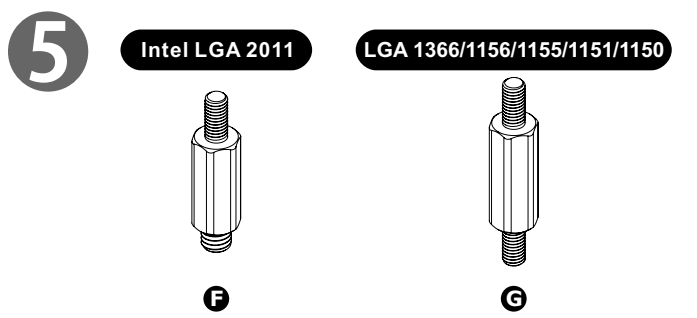
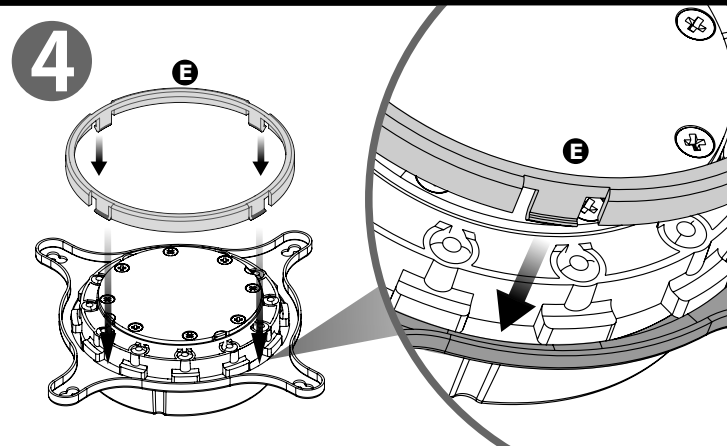
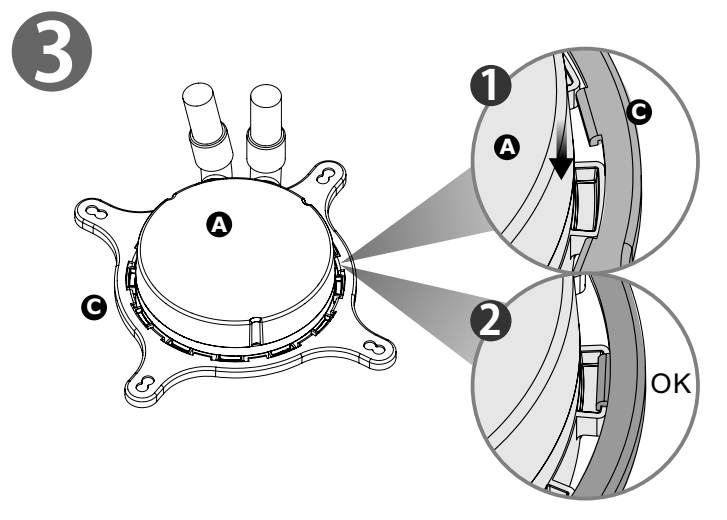
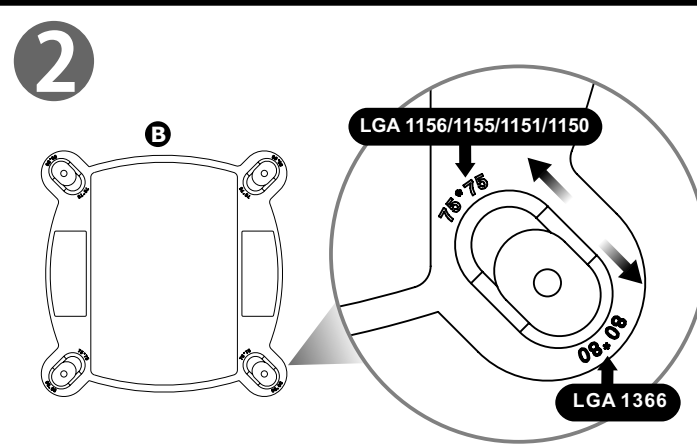
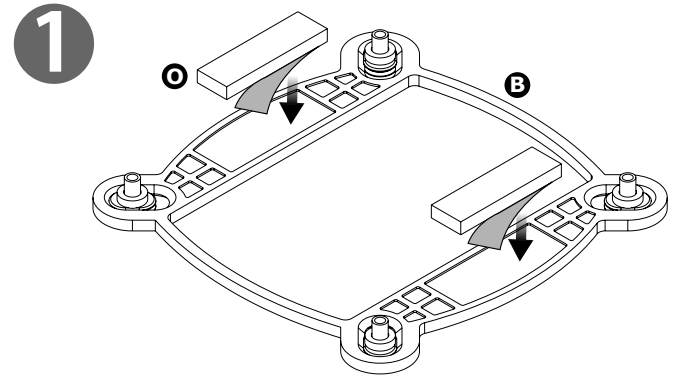
Intel Water 3.0 Ring RGB 360

Parts List

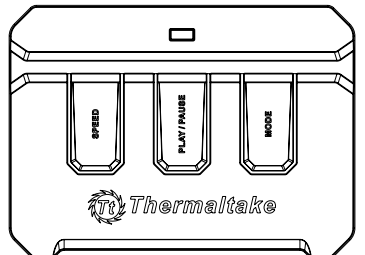


Intel (Socket LGA 1366/1156/1155/1151/1150) Installation

For LGA2011 installation, please skip to the next step



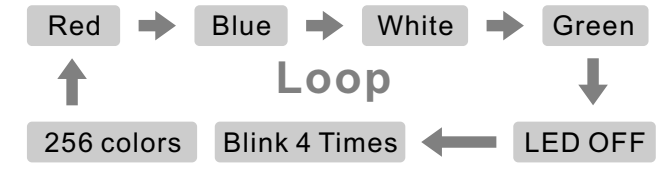
Controller



SPEED : Switch over between 2 fan speed modes
 LED Indicator shows Blue: Normal mode 800~1500rpm
 LED Indicator shows Red: Low noise mode 400~1000rpm

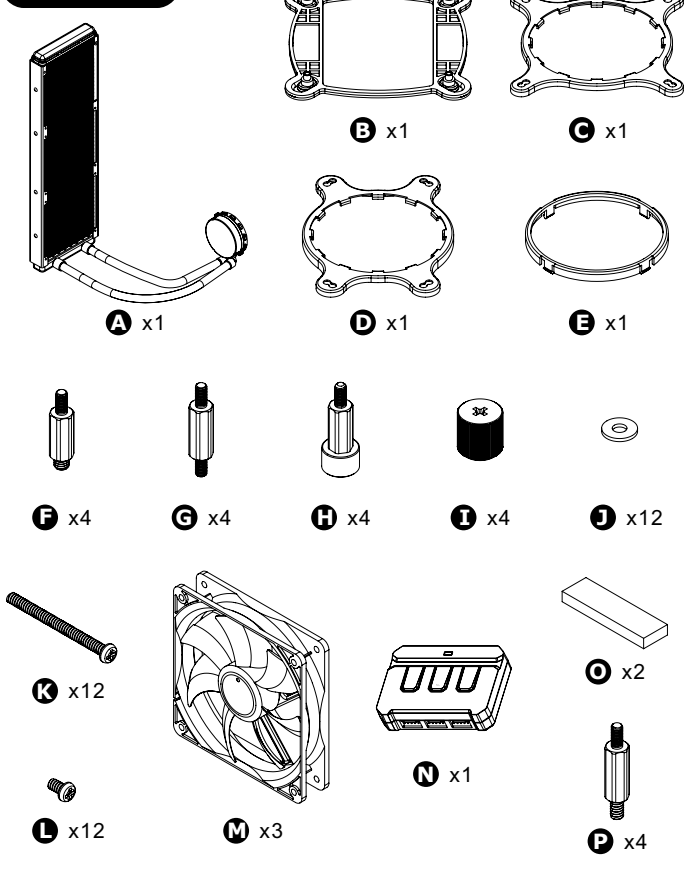
PLAY/PAUSE : When you switch to 256 colors mode, click to memorize and lock the color you want, click again to unlock the 256 colors auto rotation

MODE : Switch over between 6 LED colors
 Red → Blue → White → Green → LED off → 256 colors

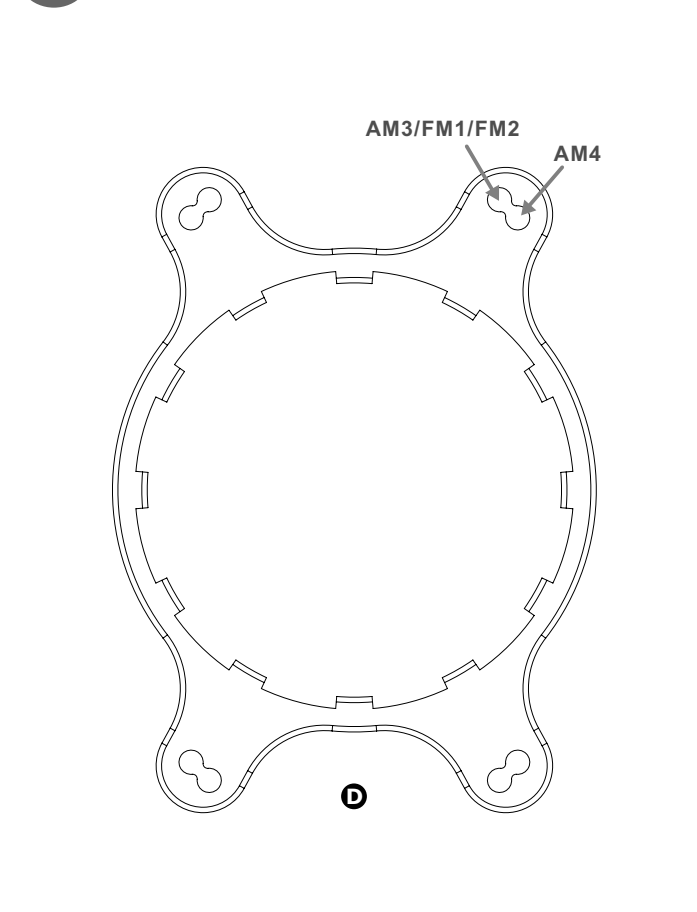


AMD Water 3.0 Riing RGB 360

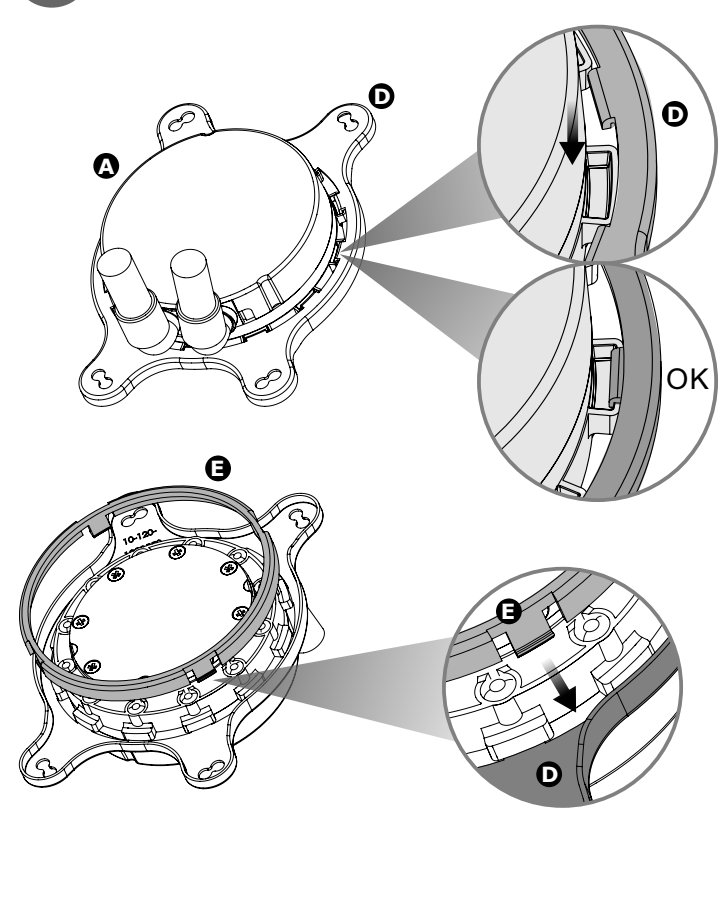
Parts List



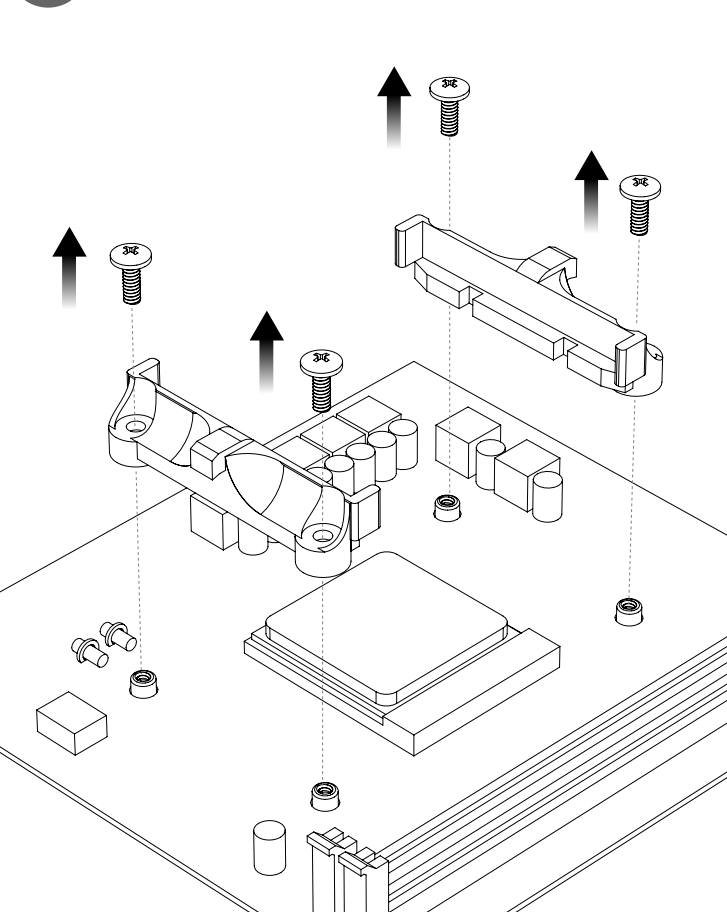
1 Before Installation, please verify the CPU platform and select the appropriate holes for your CPU socket.



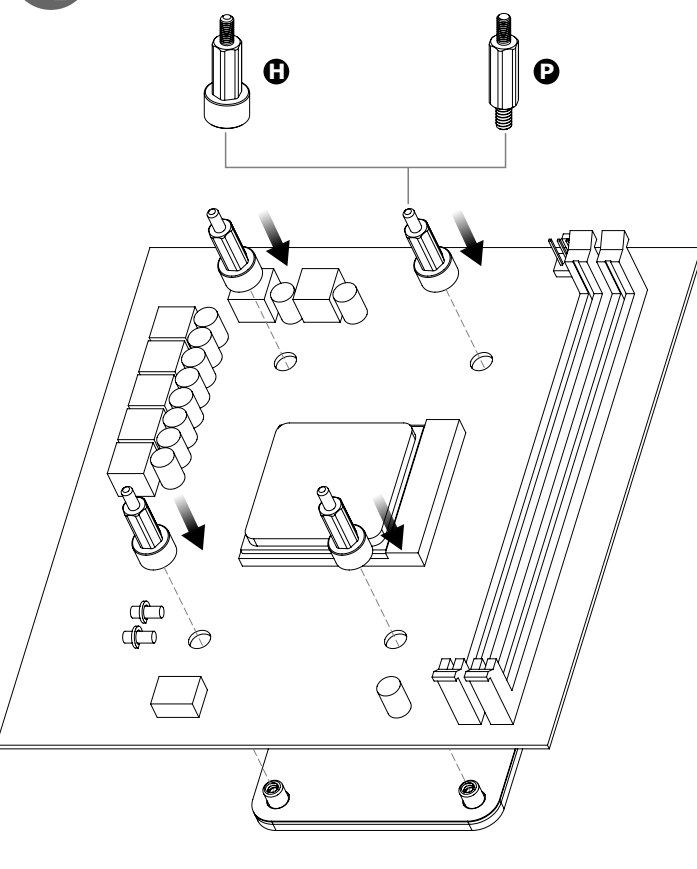
2



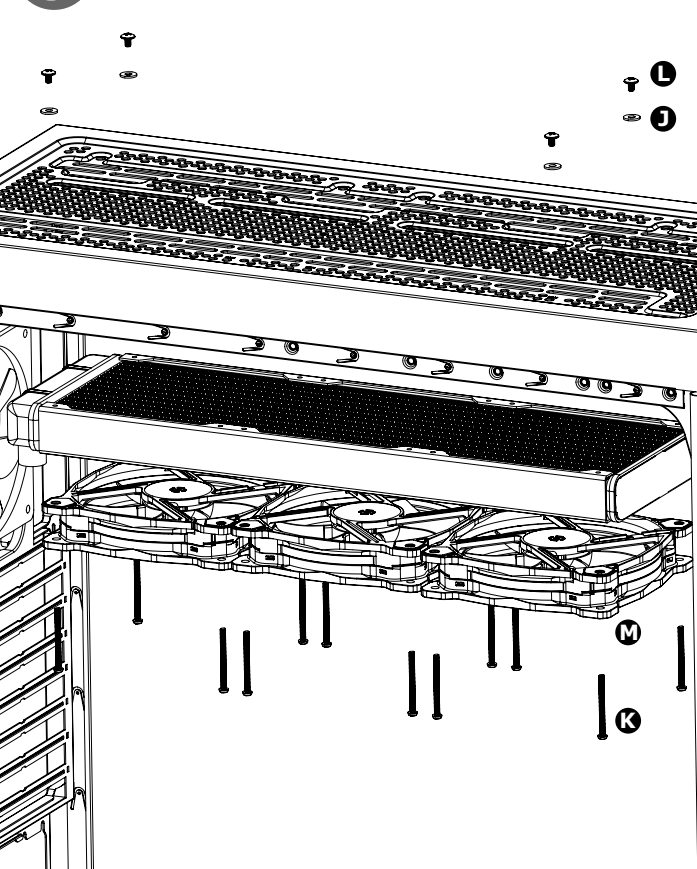
3 Remove the stock AMD top mounting bracket.



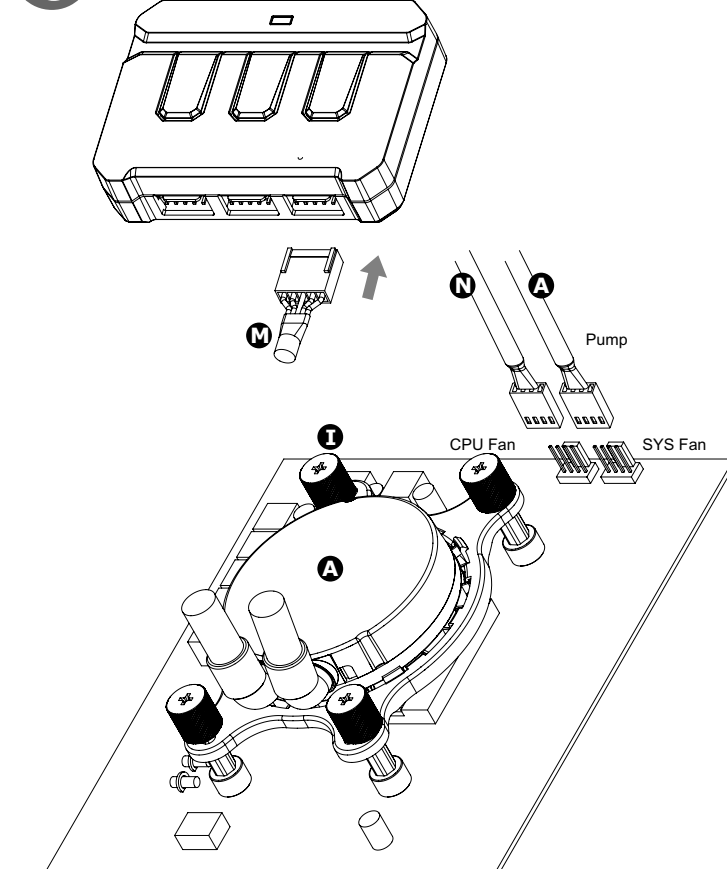
4



5



6



Controller

SPEED : Switch over between 2 fan speed modes
LED Indicator shows Blue: Normal mode 800~1500rpm
LED Indicator shows Red: Low noise mode 400~1000rpm

PLAY/PAUSE : When you switch to 256 colors mode, click to memorize and lock the color you want, click again to unlock the 256 colors auto rotation

MODE : Switch over between 6 LED colors
Red → Blue → White → Green → LED off → 256 colors

Red → Blue → White → Green
↑ Loop ↓
256 colors Blink 4 Times ← LED OFF