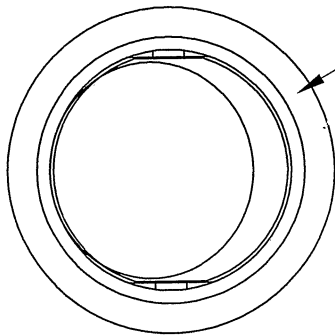
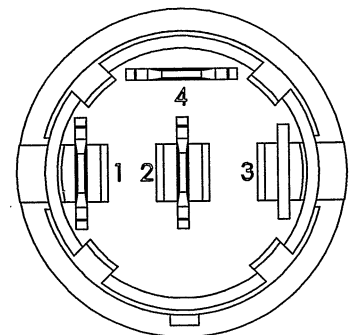
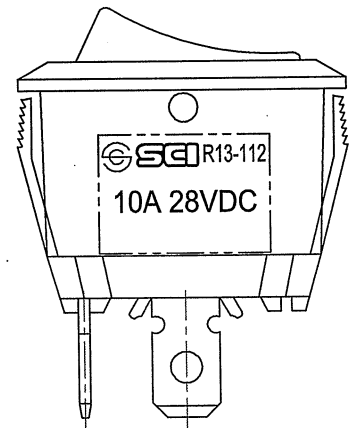
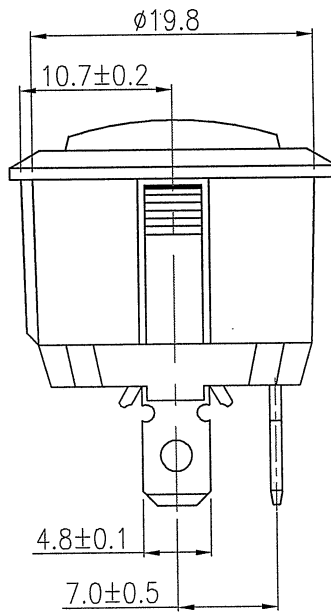
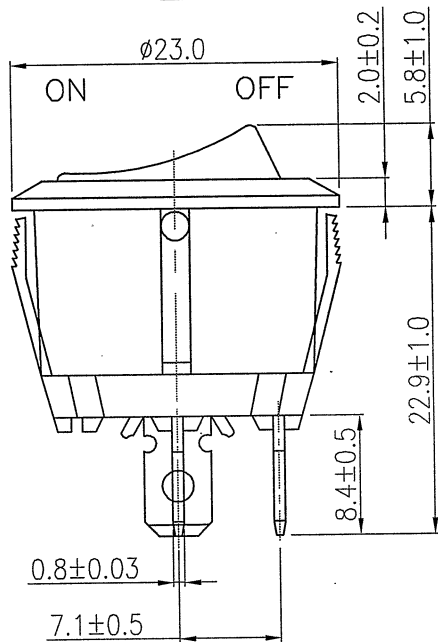


Rating	10A 28VDC		
Contact Resistance	50m ohm Max.		
Insulation Resistance	DC 500V 100M ohm Min.	Thickness: 2.0~3.0	
Dielectric Strength	AC 1500V 1 minute	Thickness: 0.7~3.0	
Operation Temperature	-25°C ~ 85°C	Circuit Diagram	
Switch Function	3P SPST ON-OFF		



Round rocker switch with LED(Blue) light ring.

Material:
 Frame: Bule, Clear PC
 Actuator: Black, PC
 Base: White, Nylon#66



Tolerances ± 0.3 Unless Otherwise Specified

Date		Name		Description			No.
Drawn	Checked	Approved	SCI BOM No.	Model Name	ROCKER SWITCH		
			Customer No.	Model No.	R13-112AH-02-W2U	Rev. X0	
5/12/16	5/12/16	5/12/16	Unit	mm			