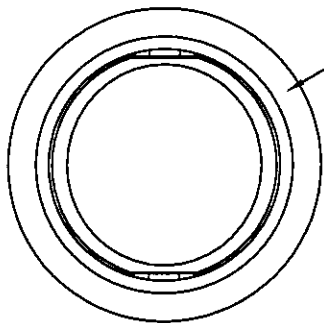


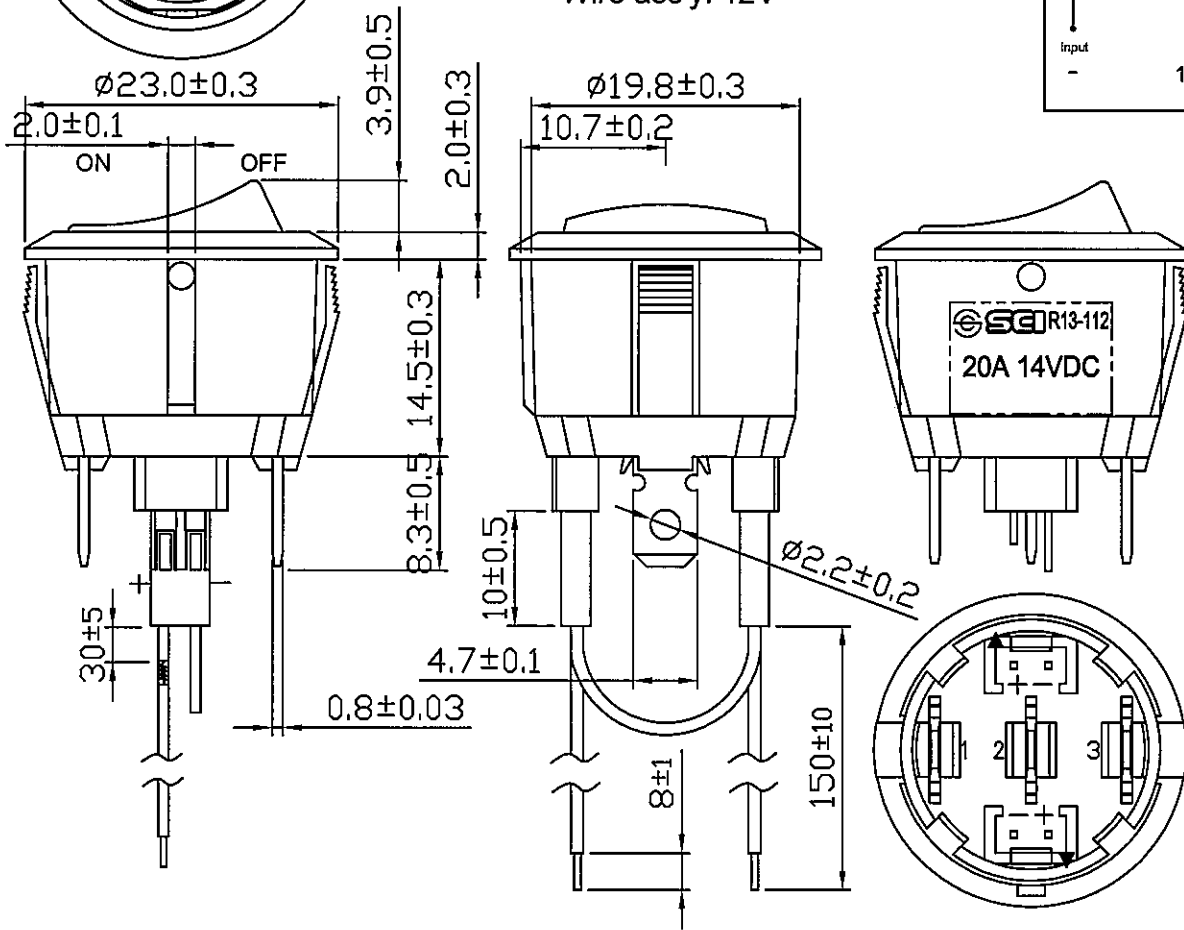
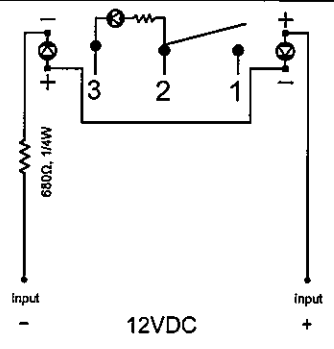
Rating	20A 14VDC	Mounting Hole	
Contact Resistance	50m ohm Max.		
Insulation Resistance	DC 500V 100M ohm Min.		
Dielectric Strength	AC 1500V 1 minute		
Operation Temperature	-25°~85°		
Switch Function	3P SPST ON-OFF (LED)		



Round rocker switch with LED light ring.

Material:  
 Frame: Clear PC, Blue  
 Actuator: PC, Red  
 Bottom: Nylon 6/6, Black  
 Wire ass'y: 12V

Circuit Diagram



C81R13/R13-112BH-02-W1U

						△
						△
Date	Name	Description				NO
Drawn	Checked	Approved	SCI BOM No.	1825354	Model Name	ROCKER SWITCH
		<i>Erh</i>	Customer No.		Model No.	R13-112BH-02-W1U Rev.
04/19/12		4/1P/12	Unit	mm		.0