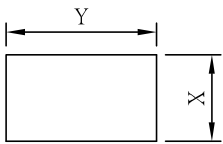
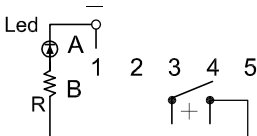
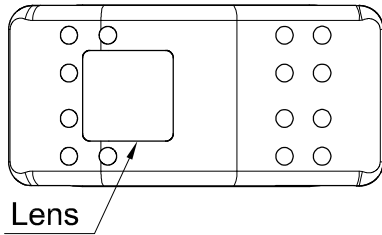


Rating	21A 14VDC		Circuit Diagram										
Contact Resistance	50m ohm Max.												
Insulation Resistance	DC 500V 100M ohm Min.												
Dielectric Strength	AC 1500V 1 minute												
Operation Temperature	-40°~+85°												
Switch Function	3P SPST ON-OFF	<table border="1"> <tr> <th>Thickness(mm)</th> <th>X(mm)</th> <th>Y(mm)</th> </tr> <tr> <td>0.75~1.25</td> <td rowspan="3">21.0^{+0.3}₀</td> <td>36.6+0.1</td> </tr> <tr> <td>1.25~2.0</td> <td>36.8+0.1</td> </tr> <tr> <td>2.0~3.0</td> <td>37.0+0.1</td> </tr> </table>	Thickness(mm)	X(mm)	Y(mm)	0.75~1.25	21.0 ^{+0.3} ₀	36.6+0.1	1.25~2.0	36.8+0.1	2.0~3.0	37.0+0.1	
Thickness(mm)	X(mm)	Y(mm)											
0.75~1.25	21.0 ^{+0.3} ₀	36.6+0.1											
1.25~2.0		36.8+0.1											
2.0~3.0		37.0+0.1											



Materials:

Frame: Nylon-66(94V-2), Black.

Actuator: Nylon-66+33%GF, Black.

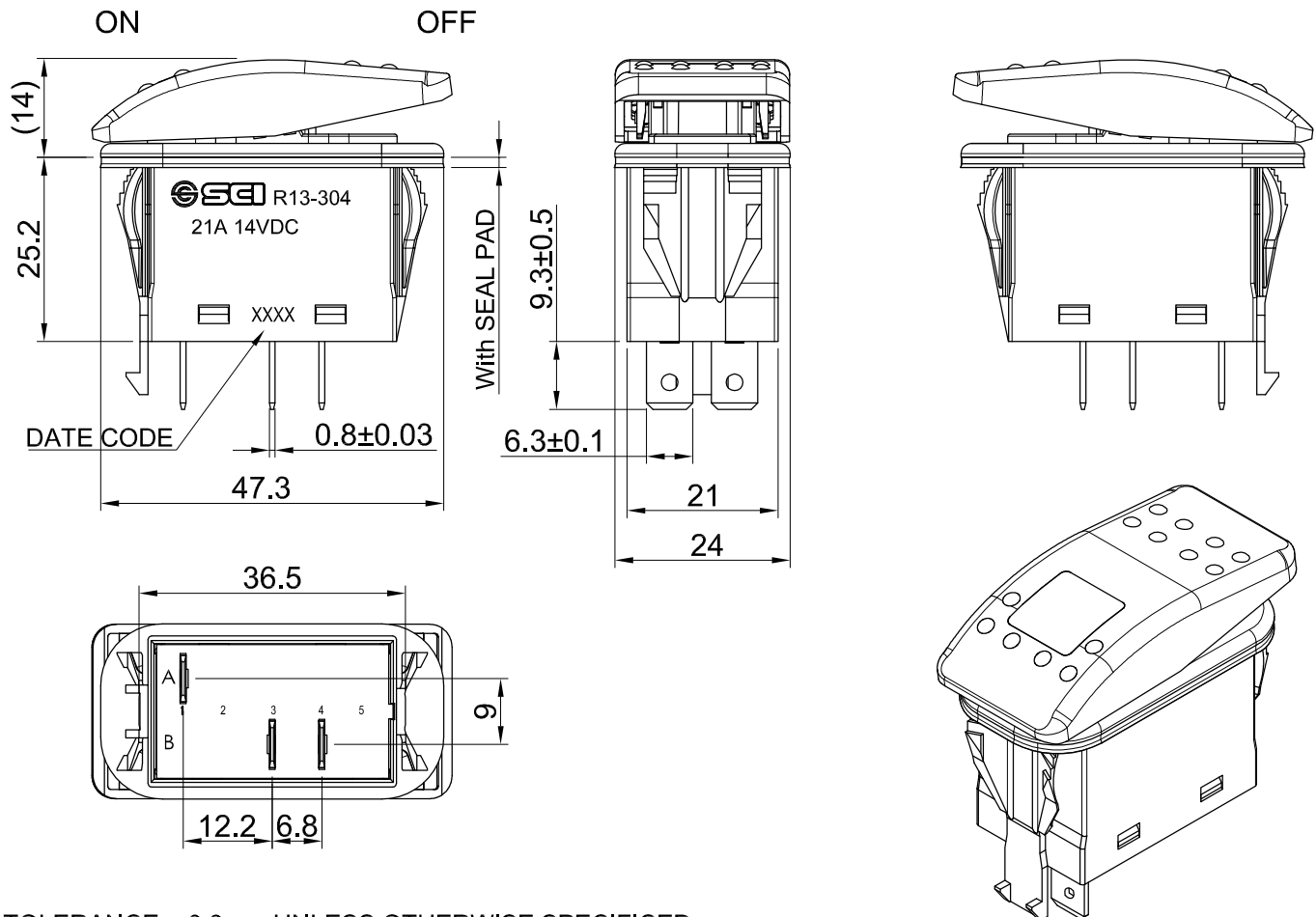
Lens: PC, Red.

Led:Red.

Terminals B3, B4: Silver plated copper.

Terminal A1: Brass.

*Sealed: IPX7 when supplied with panel seal.



TOLERANCE: ±0.3mm UNLESS OTHERWISE SPECIFIED.

									△
									△
Date	Name	Description						NO	
Drawn	Checked	Approved	SCI BOM No.		Model Name	ROCKER SWITCH			
Jam Chan			Customer No.		Model No.	R13-304A8A-01-BBRN-1RNB00S-1	Rev.		
6/7/16			Unit	mm					X0