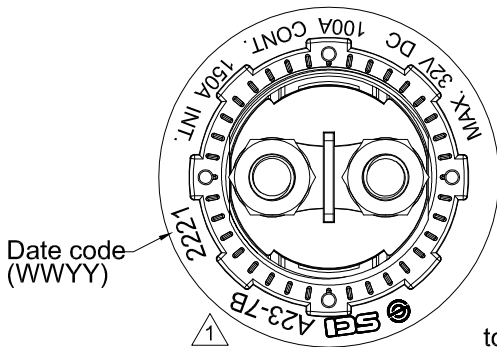
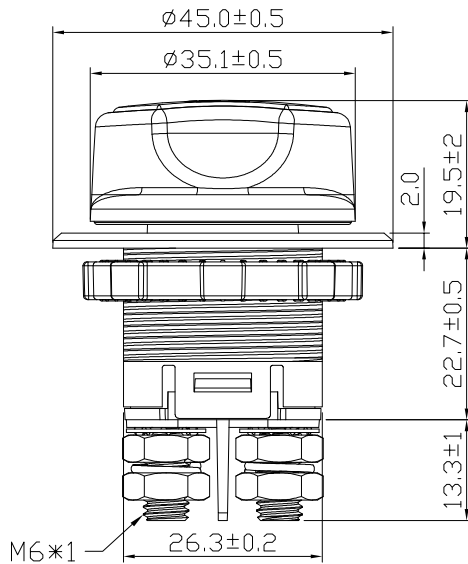
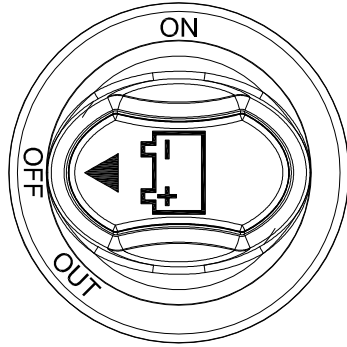


Continuous Rating	100A 32VDC Max.		Circuit Diagram	
Intermittent Rating	150 Amps		OFF	ON
Cranking Rating	500 Amps 5 sec.			
Contact Resistance	50m ohm Max			
Insulation Resistance	DC 500V 100M ohm Min			
Dielectric Strength	AC 1000V 1 minute, DC 2000V 1 minute			
Operation Temperature	-30°C~+60°C			
Switch Function	2P SPST OFF-ON			

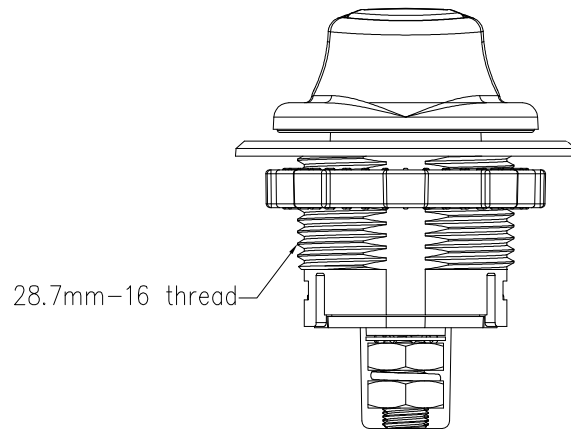


**\*MATERIAL:**

Housing: Black, PA#66+33%GF with White hot stamping  
 Actuator: Red, PBT+15%GF  
 Name Plate: White, ABS with Black hot stamping  
 Bottom: Black, PBT+15%GF  
 Nut: Black, PA#66  
 Bolt: Brass  
 Hex Nut: Ni-plated, Brass

1 NUT ASSY

\*IP grade: IP40



tolerances Unless otherwise specified ±0.3

									△
									△
3/25/'21	林玥呈	機種標示更新，原鑄雕機種A23-7修改為鑄雕機種A23-7B(ECR#RAD20210303-095)							△
Date	Name	Descriptions							NO
Drawn	Checked	Approved	SCI BOM No.	1340058	Model Name	Battery SWITCH			
林玥呈			Customer No.		Model No.	A23-7B			REV.
			Unit	mm					1