



profi
scale

PRECISE



150 mm



cm
inch

ZERO/
ABS

ProfiScale PRECISE Digital caliper

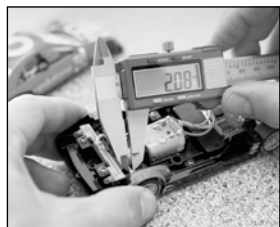
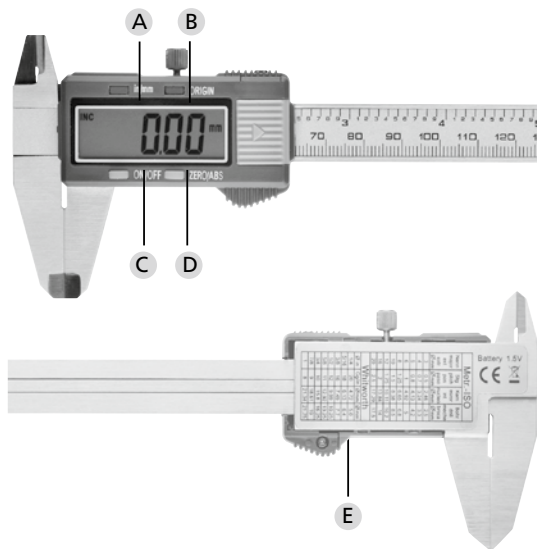
en Operating instructions

BA PRECISE 06/2015

BURG-WÄCHTER KG
Altenhofer Weg 15
58300 Wetter
Germany



profi
scale



Introduction

The PRECISE PS 7215 digital callipers will simplify numerous domestic and industrial tasks.

The ProfiScale PRECISE digital callipers offer a convenient and easy way of measuring the finest distances and diameters. The digital display shows the results in clearly legible form and with an accuracy of 0.01 mm. Readings can also be displayed in inches.

Please read the operating instructions fully and keep them in a safe place.

Illustration

- A Inch/millimetre switching (inch/millimetre toggle button)
- B ORIGIN button
- C ON/OFF button
- D Zero setting button (ZERO/ABS)
- E Battery cover

Safety instructions

Failure to observe the following instructions may result in personal injury:

1. Before using the device, you must read these instructions carefully to ensure that you operate the device safely. Keep these instructions in a safe place.
2. Keep the device away from children and unauthorized persons.
3. For safety reasons and to maintain the warranty on the device, repairs must only be carried out by qualified personnel using genuine parts.
4. Never expose the device to an electric voltage, as this could damage the electronics.
5. Do not use the device in the vicinity of inflammable or explosive gases.
6. Do not use the device if it is defective.
7. Handle the device with care and do not drop it.
8. To avoid functional errors, do not dismantle the device.
9. Keep the device clean and dry.
10. When not in use, the device should be stored in the bag supplied.
11. Avoid contact with water and dust.
12. Do not use abrasive cleaners or solvents to clean the device. Use a damp cloth and mild detergent.
13. Check the battery/batteries regularly to avoid damage.
14. Remove the battery if you are not going to use the device for a long period.

Warranty

Congratulations!

Thank you for choosing ProfiScale quality measuring technology by BURG-WÄCHTER. BURG-WÄCHTER offers a warranty of 2 years' duration from the date of purchase. The warranty does not cover damage caused by improper use, overloading the device or incorrect storage as well as normal wear and defects that only have an insignificant effect on the value or usability of the device. The warranty shall be immediately invalidated if unauthorized persons work on the device. In the event that a warranty claim arises, please hand over the entire device incl. packaging, description and batteries along with the sales receipt to your dealer.

Technical data

Measuring accuracy	0.01 mm
Power supply	1.5 V button cell
Measurement speed	1.5 m/s
Operating temperature	0 to +40 °C
Relative air humidity	< 80 %
Storage temperature	-10 to 60 °C

Operating the device

Instructions

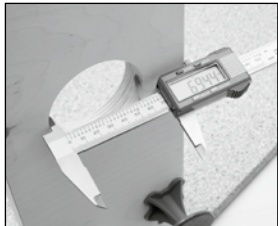
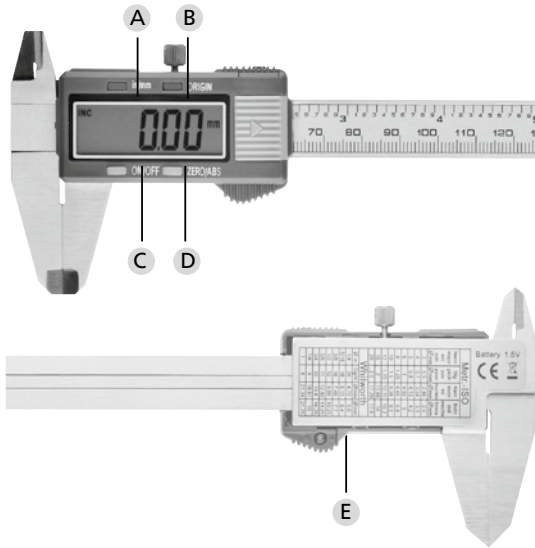
- Press the "ON/OFF" button to switch on the device.
- Press the "in/mm" button to select the required unit.
- Calibrate the callipers by pushing the two jaws together and pressing the "ZERO/ABS" button.

ZERO / ABS button / ORIGIN button

- The "ZERO/ABS" button is for the relative zero point and for switching between absolute and relative measurement. When switching on the device, it is initially always in the absolute measurement mode.
- Press the "ZERO/ABS" button to switch to the relative measurement mode.
- To return to the absolute measurement mode, you must push the two jaws together again. Then press the "ZERO/ABS" button again. When going from one mode to the other, the original zero position remains unchanged.
- **Exception:** you press the "ORIGIN" button and the zero point set here is retained even after you switch off the callipers.



profi
scale



Important information/troubleshooting

Replacing the battery

An incorrect display (flashing numbers or no display at all) indicates an empty battery. To replace the battery, press the battery compartment cover in the direction indicated by the arrow on the cover and replace the old battery with a fresh one. Note that the positive side of the battery must face upwards.

Problem	Possible cause	Solution
Flashing numbers	Battery empty	Replace battery
No display	1. Battery empty 2. Faulty contact	1. Replace battery 2. Clean the battery compartment and insert the battery again.
Numbers no longer change on the display	Technical fault in the circuit	Remove the battery and wait one minute before re-inserting it.

Disposing of the device

Dear customer,

Please help us avoid unnecessary waste. Should you intend to dispose of this device at any time, please remember that many components of this device contain valuable materials, which can be recycled.



Please be aware that electrical and electronic equipment and batteries shall not be disposed of as household waste, but rather collected separately. Please obtain information on the collecting points for electrical waste from the responsible authority of your municipality.



If you have any questions concerning the EC declaration of conformity, please use info@burg.biz

Printing and typesetting errors excepted.
We reserve the right to make technical changes.