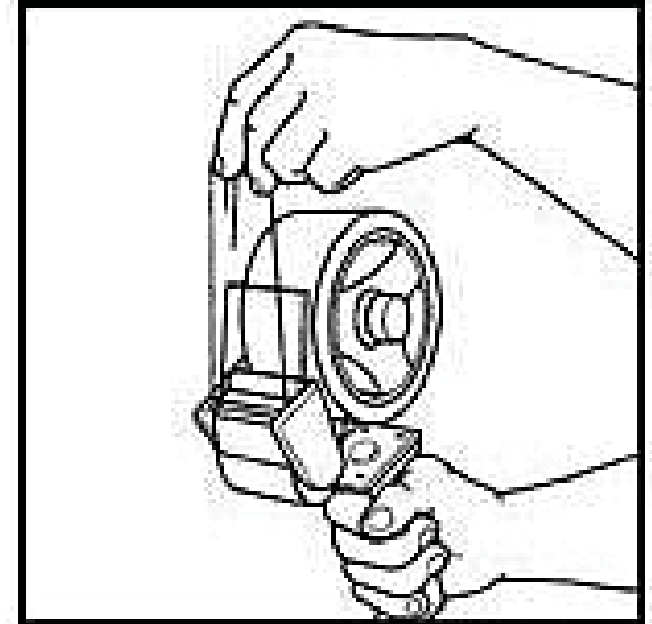
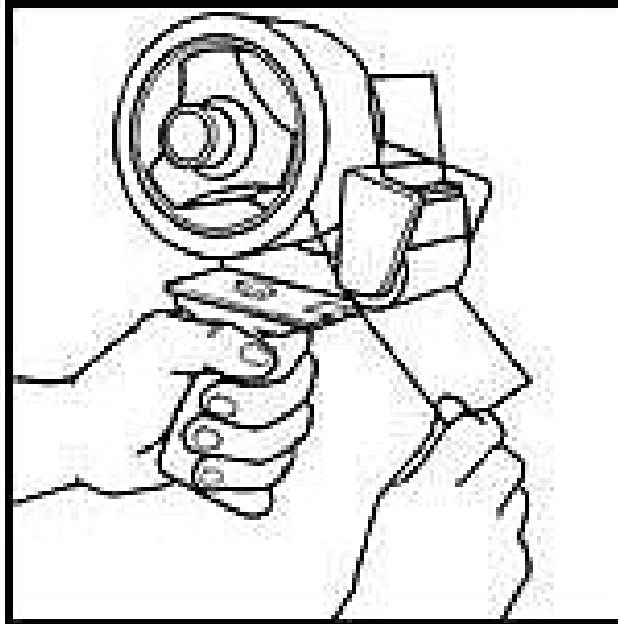
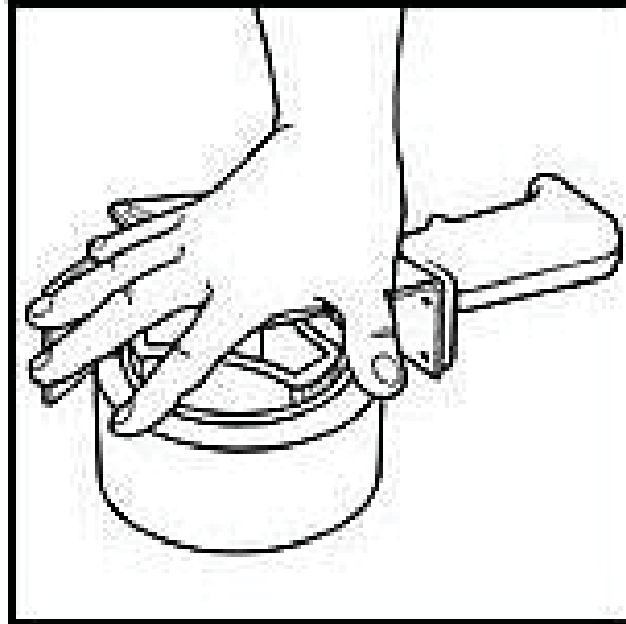


Use instrution:

1. Press the tape into the roller.
2. Tear the tape through the smaller roller.
3. Pull the tape up.



4. Take the tape in one side, pull back with the plastic sheet to hold on and cutting tape.

