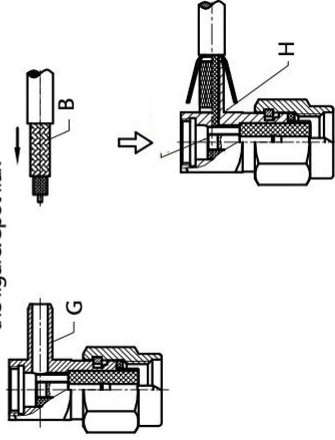
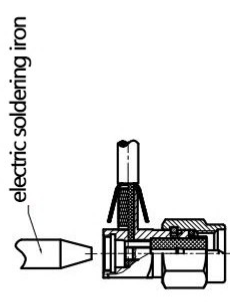


## 1, Threading, spot flux

Install the cable B on the main part G in the direction of the solid arrow.  
Forming component H, as shown in the figure: Spot flux

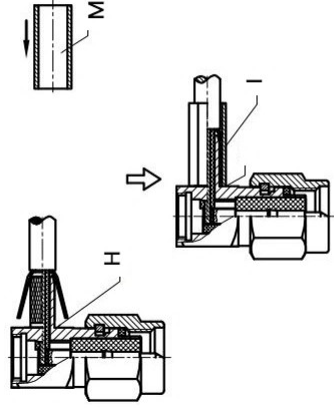


## 2, Soldering



## 3, Crimping cable

Install the crimping sleeve E into the workpiece H according to the direction of the solid arrow, and crimp it with the special crimping die to form the assembly I.



## 4, Installation of screw cap and insulator

Install insulator J and gland K on part I respectively with a slotted screwdriver in the direction of the solid arrow. As shown in the figure:

