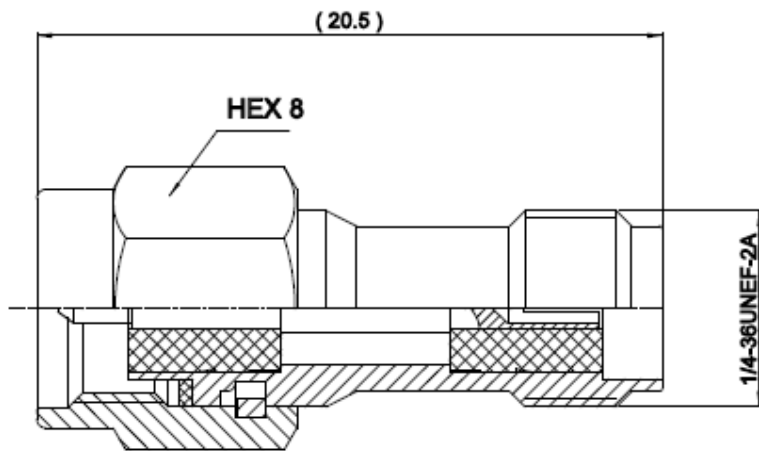


DATASHEET

SMA Male to SMA Female Adaptor

Version 03/17

Item no. : 1493159



Tolerance ± 0.1

Impedance	50 Ω
Insulation resistance	500 M Ω
Frequency	Max. 4 GHz
Material.....	Brass, Gold Plated
Operation Temperature/ Humidity	-20°C to 70°C, 10% - 90%
Storage Temperature/ Humidity	-20°C to 70°C, 10% - 90%

This is a publication by Conrad Electronic SE, Klaus-Conrad-Str. 1, D-92240 Hirschau (www.conrad.com).
All rights including translation reserved. Reproduction by any method, e.g. photocopy, microfilming, or the capture in electronic data processing systems require the prior written approval by the editor. Reprinting, also in part, is prohibited. This publication represent the technical status at the time of printing.

© Copyright 2016 by Conrad Electronic SE.