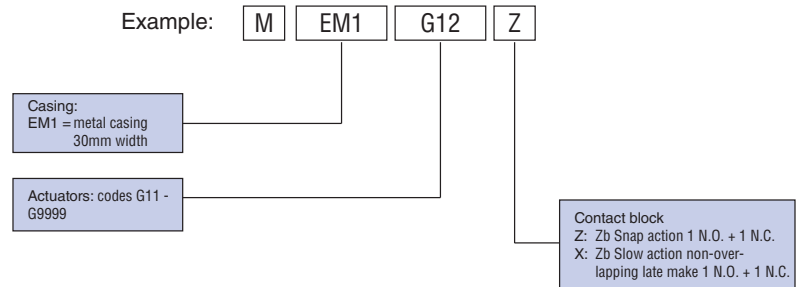


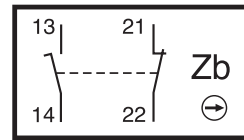
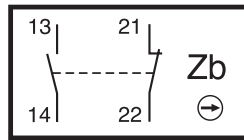


Ordering information

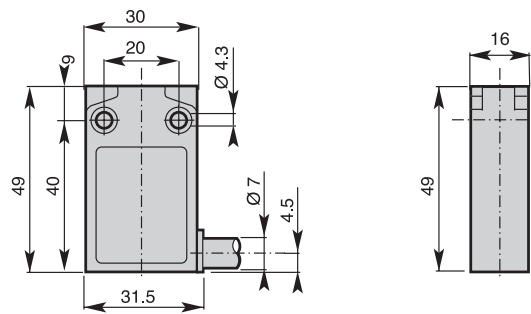


Contacts

Z: Snap action 1 N.O. + 1 N.C. X: Slow action break before
make 1 N.O. + 1 N.C.



Dimensions (basic)





Features

- Double Insulation
- 30mm width
- Casing made of metal
- Visible operation
- Able to switch strong currents (10A conventional thermal current)
- Electrically separated contacts
- Precise operating points (consistency)
- Immune to electromagnetic disturbances
- Degree of protection: IP67
- Standard cable length 1m*..

General technical data

Standards	Metal casing Devices conform with international IEC 947-5-1 and European EN 60 947-5-1 standards		
Certifications - Approvals	UL (upon request)		
Ambient temperature – during operation	°C	– 25 ... + 70	
– for storage	°C	– 40 ... + 70	
Mounting positions	All positions are authorised		
Protection against electrical shocks (acc. to IEC 536)	Class I		
Degree of protection (according to IEC 529 and EN 60 529)	IP67		
Degree of protection (according to UL50)	Type 4 - 4X - 6 enclosure ("outdoor use - raintight - water tight corrosion resistant")		
Electrical Data			
Rated insulation voltage U_i - according to IEC 947-1 and EN 60-947-1 - according to UL 508 and CSA C22-2 n° 14	400V (pollution degree 3) (250V for M12 connector) B 300, R 300		
Rated impulse withstand voltage U_{imp} (according to IEC 947-1 and EN 60 947-1)	kV	4	
Conventional free-air thermal current I_{th} (according to IEC 947-5-1) $\sigma < 40$ °C	A	5 (4A for M12 connector)	
Short-circuit protection $U_e < 500V$ a.c. - gG (gl) type fuses	A	6	
Rated operational current I_e / AC-15 (according to IEC 947-5-1)	24V - 50/60Hz 120V - 50/60Hz 240V - 50/60Hz	A	5.0 3.0 1.5
I_e / DC-13 (according to IEC 947-5-1)	24V DC 125V DC 250V DC	A	1.1 0.22 0.1
Switching frequency	Cycles/h	3600	
Load factor		0.5	
Resistance between contacts	mΩ	25	
Mechanical durability		10 millions of operations	

* For other cable inlets and cable lengths, please contact your local sales office.

MEM1G series

Product number

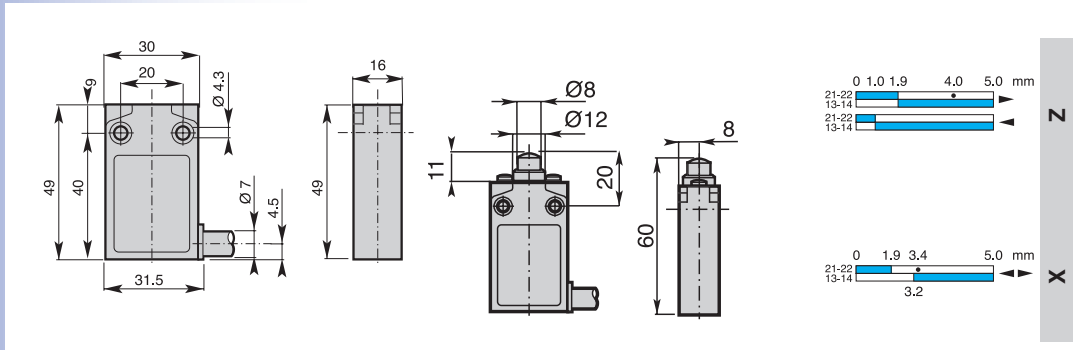
Dimensions (basic)

Dimensions (head)

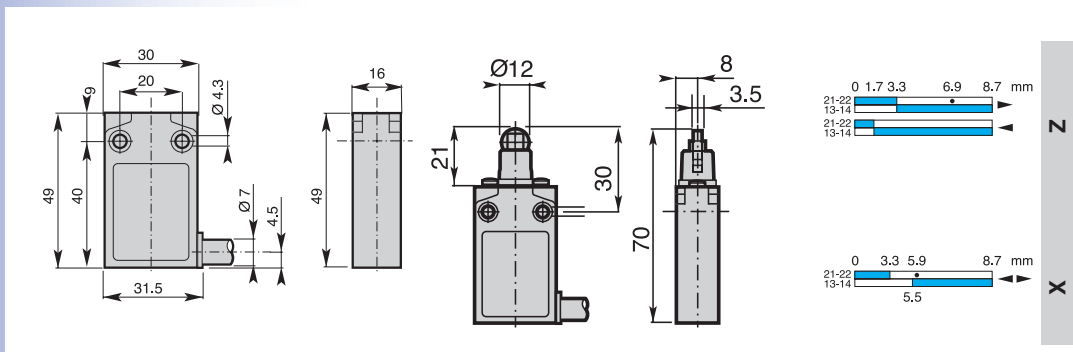
Operation diagram



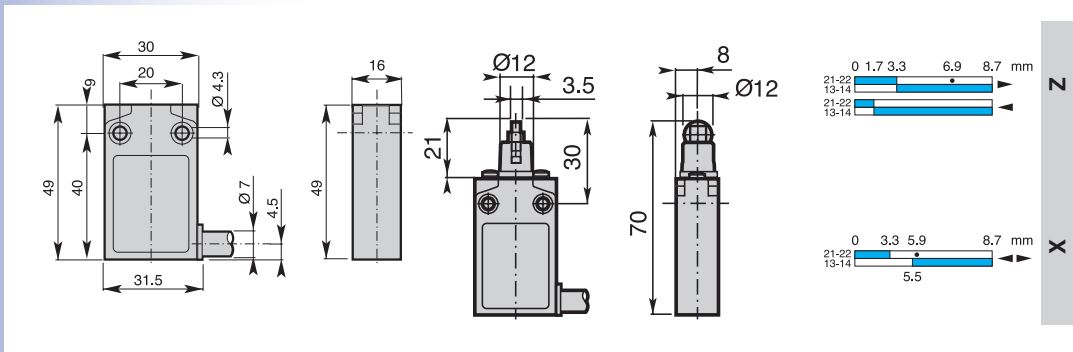
Plain plunger
MEM1G11*



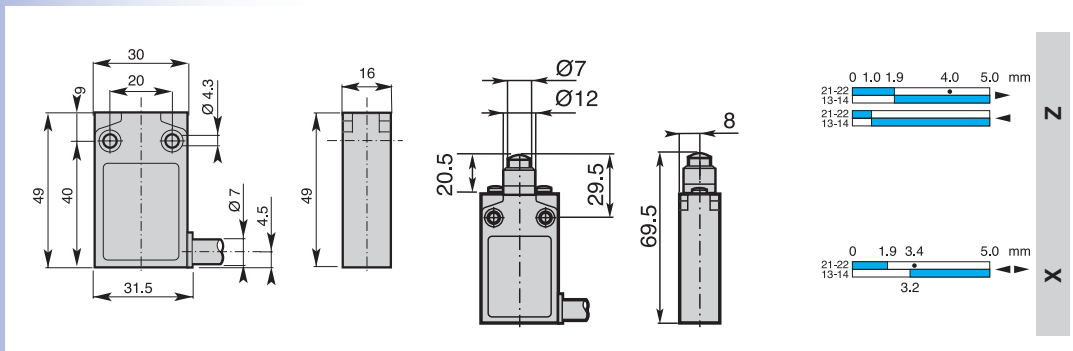
Roller plunger
MEM1G12**
G12: metall roller
G13: nylon roller



Cross roller plunger
MEM1G14**
G14: metall roller
G15: nylon roller



Plain plunger with
dust protection cap
MEM1G16*



* Snap action: Z or X
** Snap action: Z

Product number

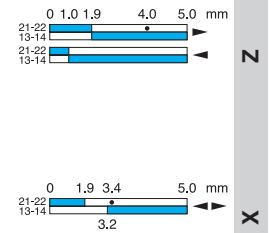
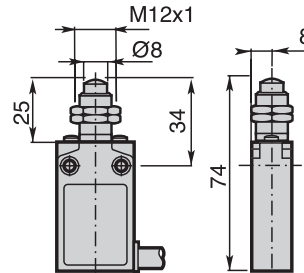
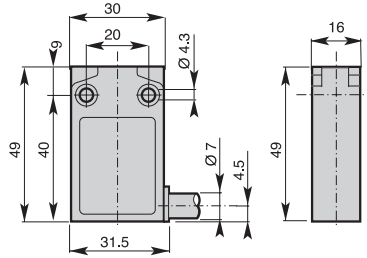
Dimensions (basic)

Dimensions (head)

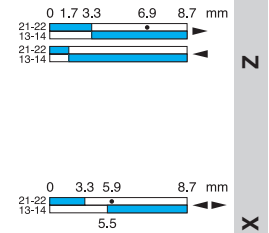
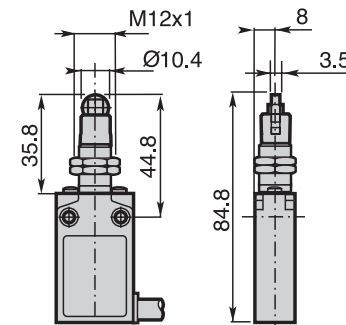
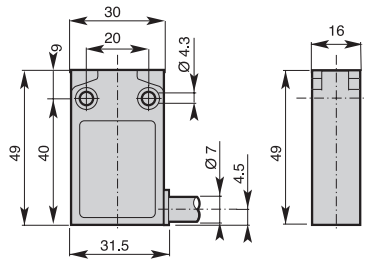
Operation diagram



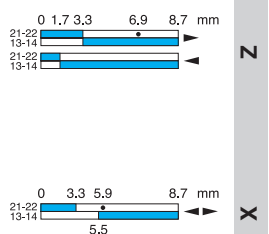
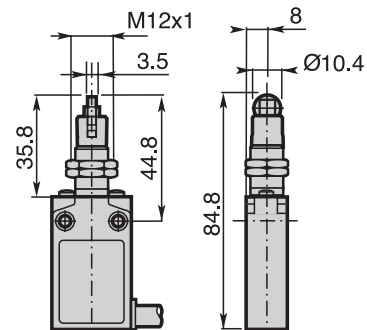
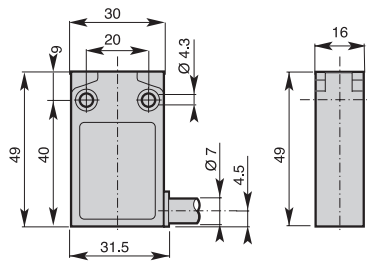
Plain plunger with fixing nuts
MEM1G21*



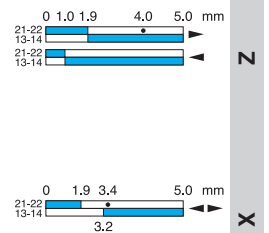
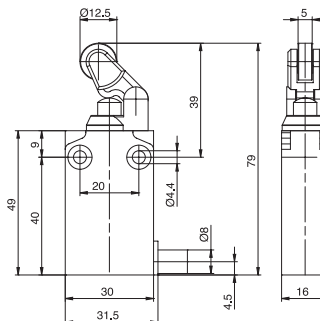
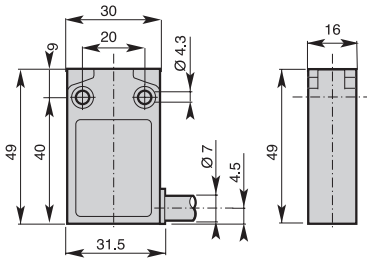
Roller plunger with fixing nuts
MEM1G22*
G22: metall roller
G23: nylon roller



Cross roller plunger with fixing nuts
MEM1G24*
G24: metall roller
G25: nylon roller



Plain plunger with fixing nuts
MEM1G31*



* Snap action: Z or X
** Snap action: Z

Product number

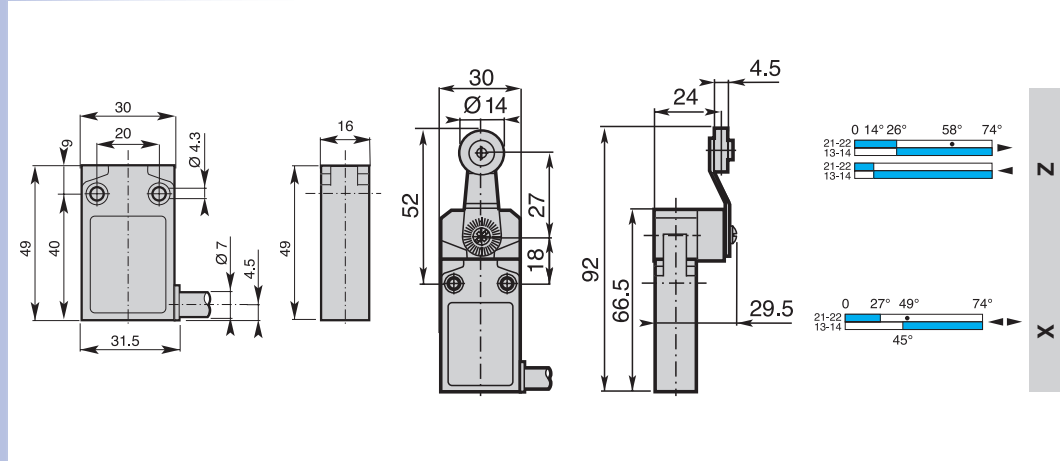
Dimensions (basic)

Dimensions (head)

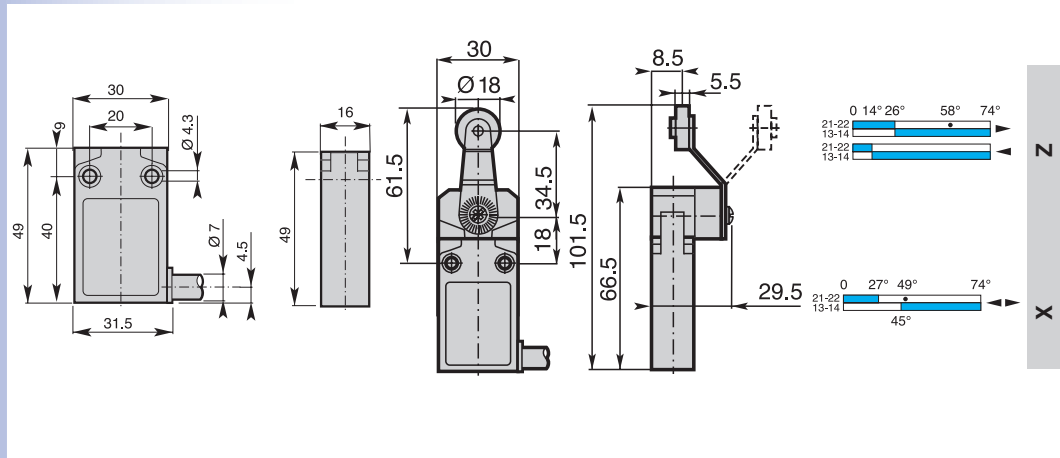
Operation diagram



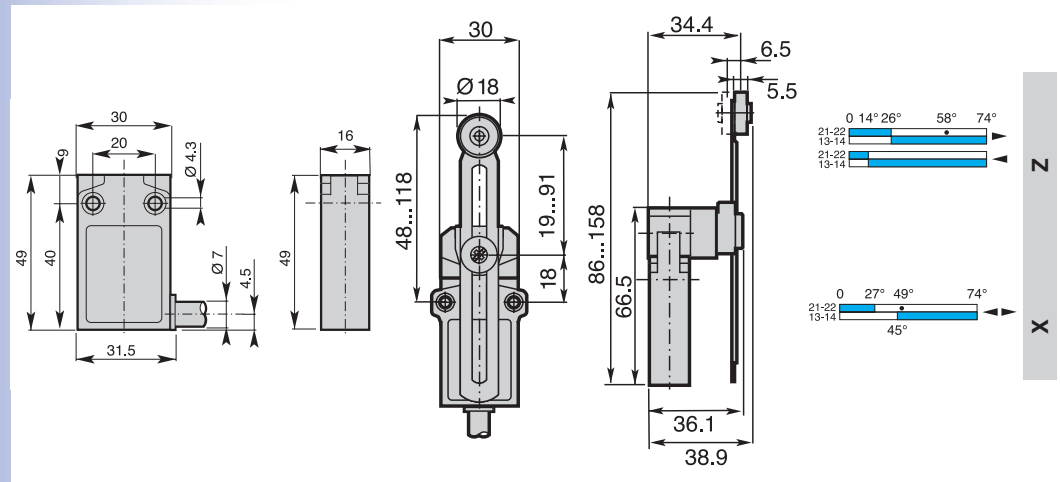
Roller lever
MEM1G41*
G41: metal roller
G42: nylon roller
G43: ball bearing



Roller lever
MEM1G45*
G45: nylon roller
G46: metal roller



Adjustable lever with roller
MEM1G51*
G51: nylon roller
G53: metal roller



* Snap action: Z or X
** Snap action: Z

Product number

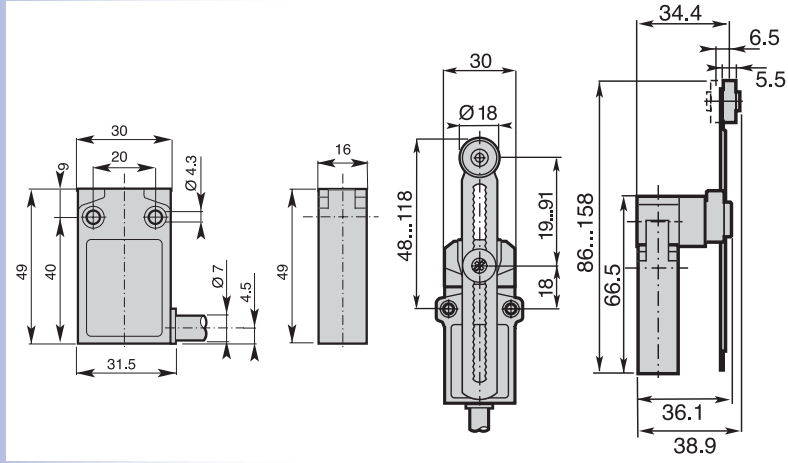
Dimensions (basic)

Dimensions (head)

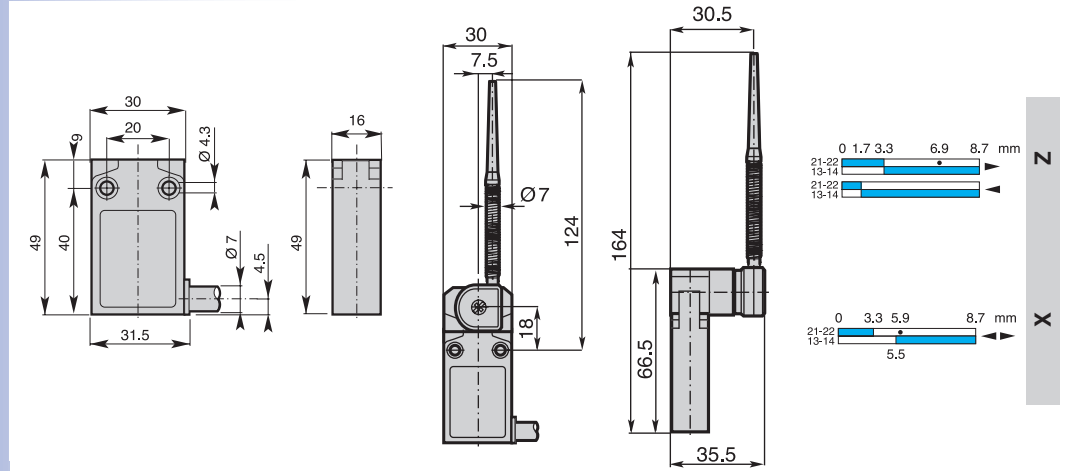
Operation diagram



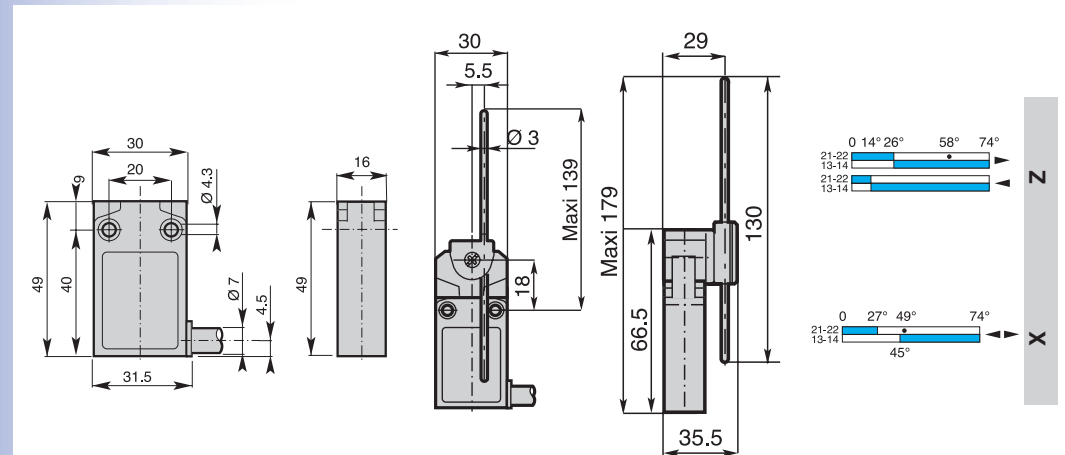
Adjustable toothed lever (step 2mm) with nylon roller MEM1G5100**



Nylon actuator with stainless steel spring MEM1G61**



Adjustable rod lever MEM1G71*
G71: stainless steel rod
G72: fiberglass rod
G75: square steel rod



* Snap action: Z or X
** Snap action: Z

MEM1G series

Product number

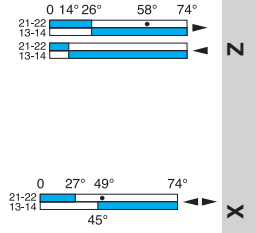
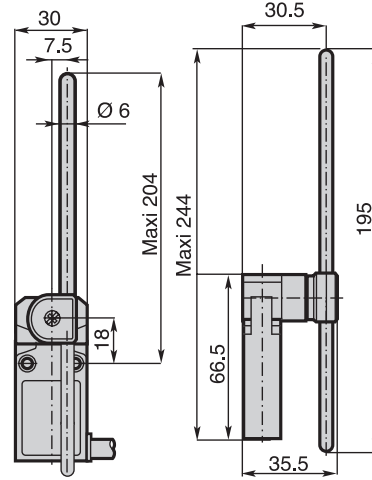
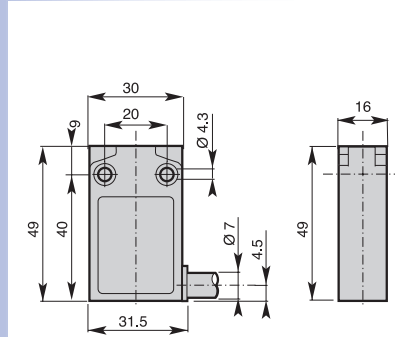
Dimensions (basic)

Dimensions (head)

Operation diagram



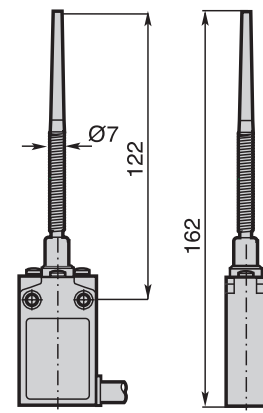
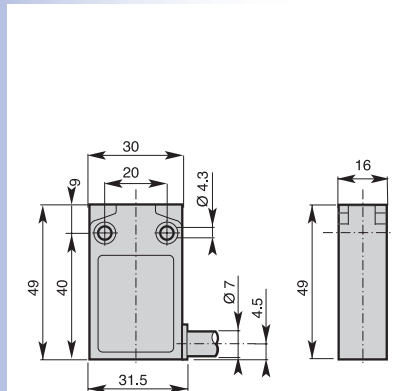
Adjustable rod lever
MEM1G73*
G73: nylon rod
G74: fiberglass rod



Z
X



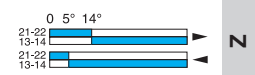
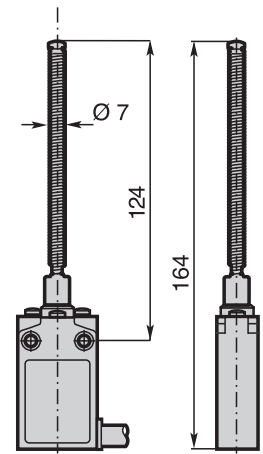
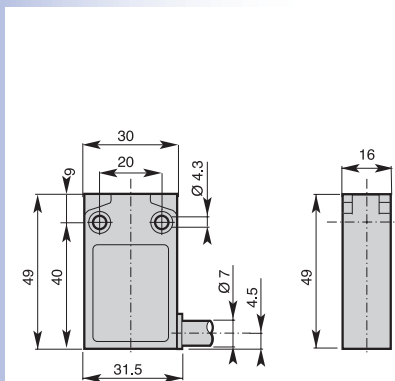
Multidirectional nylon actuator with stainless steel spring
MEM1G92***



Z



Multidirectional actuator with stainless steel spring
MEM1G93***



Z

* Snap action: Z or X
** Snap action: Z