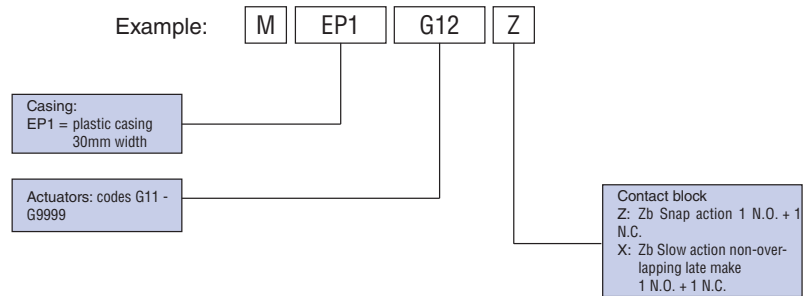
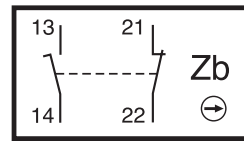
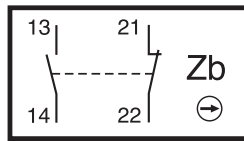


## Ordering information

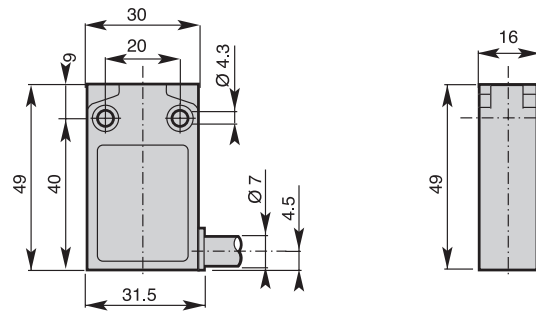


## Contacts

**Z:** Snap action 1 N.O. + 1 N.C.    **X:** Slow action break before make 1 N.O. + 1 N.C.



## Dimensions (basic)






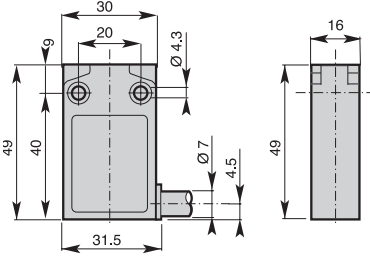
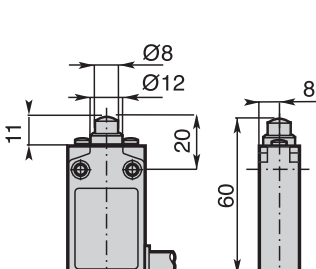
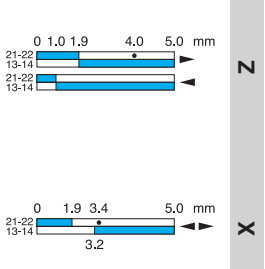

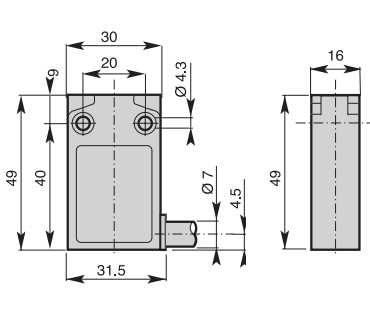
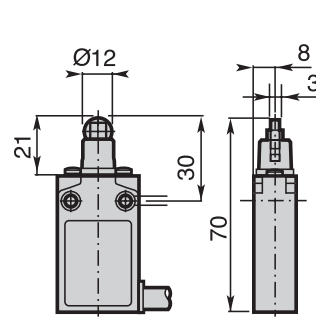
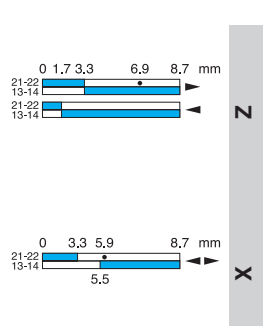

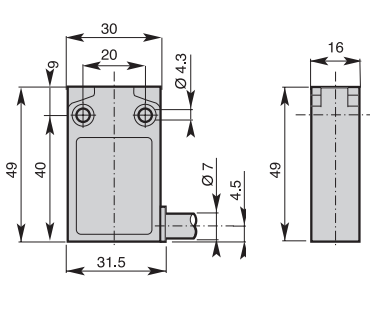
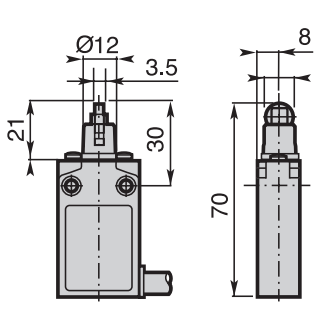
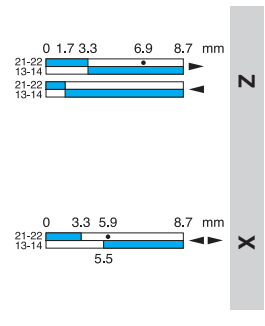

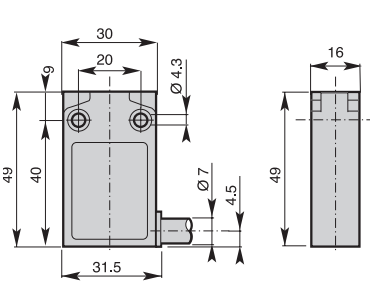
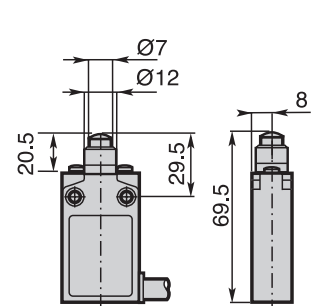
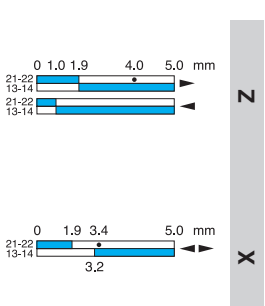
## Features

- Double insulation
- 30mm width
- Casing made of plastic
- Visible operation.
- Able to switch strong currents (10A conventional thermal current).
- Electrically separated contacts.
- Precise operating points (consistency).
- Immune to electromagnetic disturbances.
- Degree of protection: IP67
- Standard cable length 1m\*

## General technical data

Standards	Plastic casing Devices conform with international IEC 947-5-1 and European EN 60 947-5-1 standards		
Certifications - Approvals	UL (upon request)		
Ambient temperature		°C	- 25 ... + 70
- during operation		°C	- 40 ... + 70
- for storage			
Mounting positions	All positions are authorised		
Protection against electrical shocks (acc. to IEC 536)	Class II		
Degree of protection (according to IEC 529 and EN 60 529)	IP67		
Degree of protection (according to UL50)	Type 1 enclosure ("indoor use only")		
<b>Electrical Data</b>			
Rated insulation voltage $U_i$ - according to IEC 947-1 and EN 60-947-1 - according to UL 508 and CSA C22-2 n° 14	400V (pollution degree 3) (250V for M12 connector) B 300, R 300		
Rated impulse withstand voltage $U_{imp}$ (according to IEC 947-1 and EN 60 947-1)	kV		4
Conventional free-air thermal current $I_{th}$ (according to IEC 947-5-1) $\sigma < 40$ °C	A		5 (4A for M12 connector)
Short-circuit protection $U_e < 500V$ a.c. - gG (gl) type fuses	A		6
Rated operational current			
$I_e$ / AC-15 (according to IEC 947-5-1)	24V - 50/60Hz	A	5.0
	120V - 50/60Hz	A	3.0
	240V - 50/60Hz	A	1.5
$I_e$ / DC-13 (according to IEC 947-5-1)	24V DC	A	1.1
	125V DC	A	0.22
	250V DC	A	0.1
Switching frequency		Cycles/h	3600
Load factor			0.5
Resistance between contacts		mΩ	25
Mechanical durability	10 millions of operations		

\* For other cable inlets and cable lengths, please contact your local sales office.

Product number	Dimensions (basic)	Dimensions (head)	Operation diagram
 <p><b>Plain plunger</b> MEP1G11*</p>			
 <p><b>Roller plunger</b> MEP1G12* G12: metal roller G13: nylon roller</p>			
 <p><b>Cross roller plunger</b> MEP1G14* G14: metal roller G15: nylon roller</p>			
 <p><b>Plain plunger with dust protection cap</b> MEP1G16*</p>			

\* Snap action: Z11, X11 or Y11

## Product number

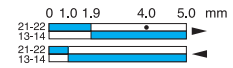
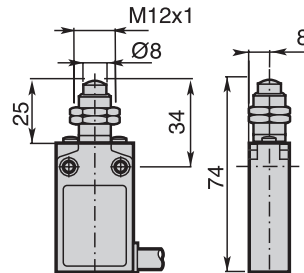
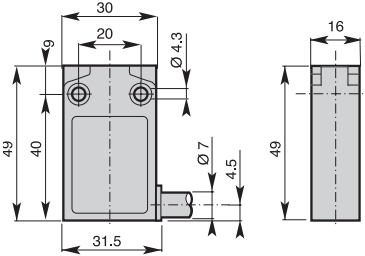
## Dimensions (basic)

## Dimensions (head)

## Operation diagram



Plain plunger  
with fixing nuts  
MEP1G21+\*



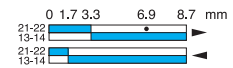
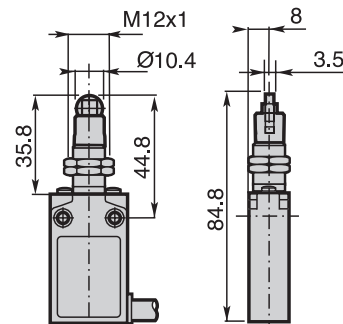
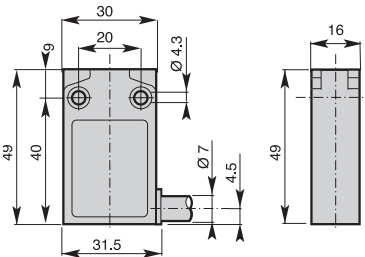
Z



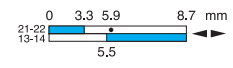
X



Roller plunger  
with fixing nuts  
MEP1G22+\*  
G22: metal roller  
G23: nylon roller



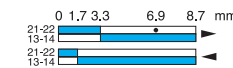
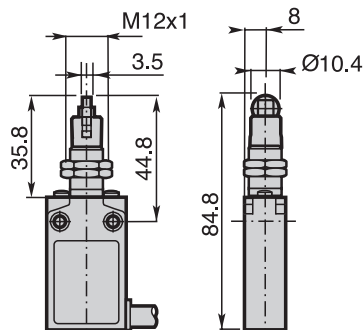
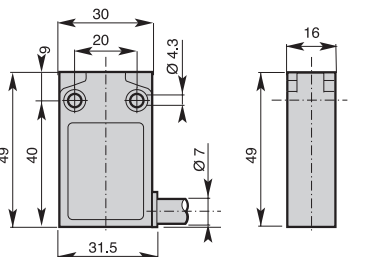
Z



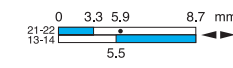
X



Cross roller plunger  
with fixing nuts  
MEP1G24+\*  
G24: metal roller  
G25: nylon roller



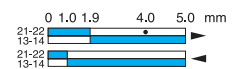
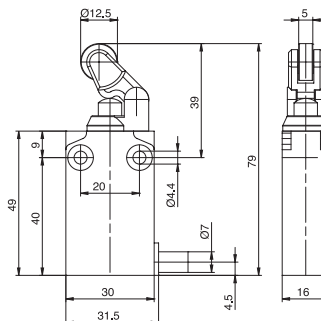
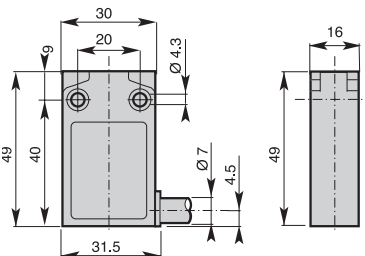
Z



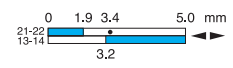
X



Plain plunger  
with fixing nuts  
MEP1G31+\*



Z



X

\* Snap action: Z or X  
\*\* Snap action: Z

Product number

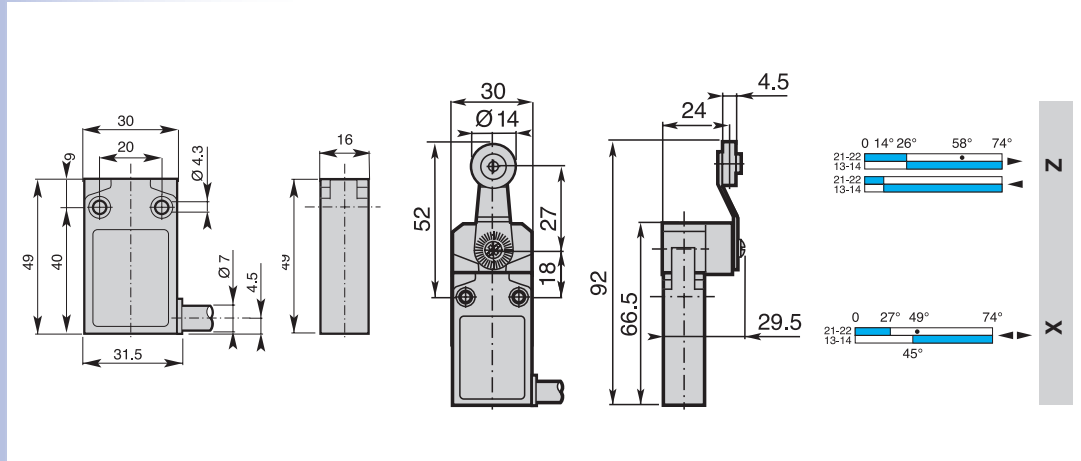
Dimensions (basic)

Dimensions (head)

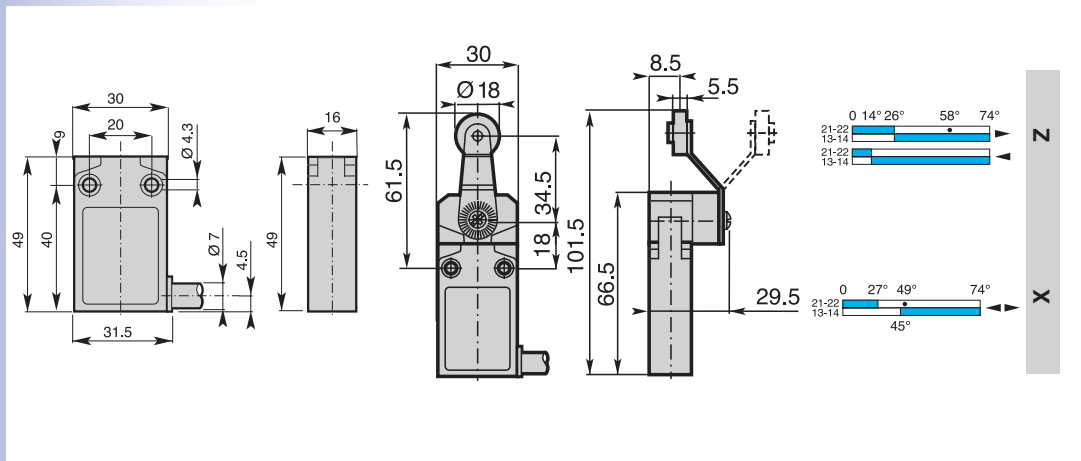
Operation diagram



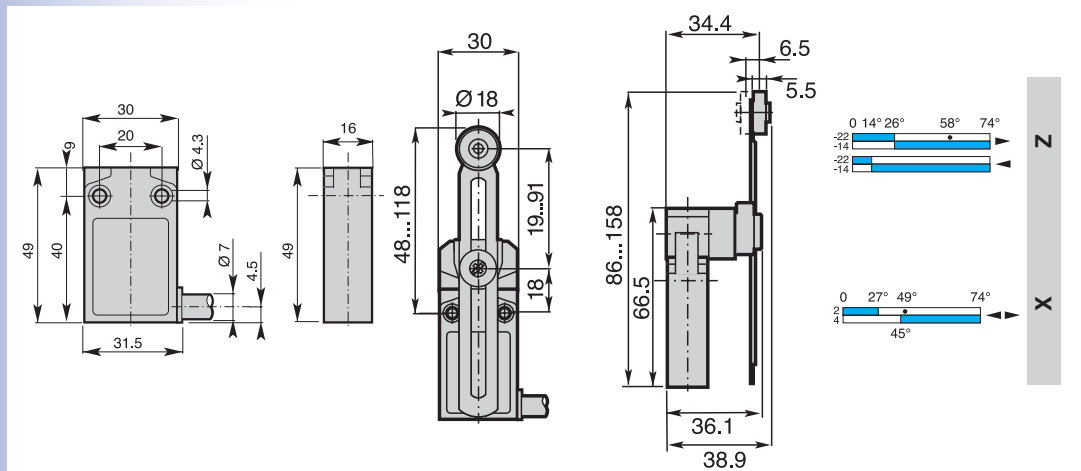
**Roller lever**  
MEP1G41\*  
G41: nylon roller  
G42: metal roller  
G43: ball bearing



**Nylon roller lever**  
MEP1G45\*



**Adjustable lever with nylon roller**  
MEP1G51\*



\* Snap action: Z or X  
\*\* Snap action: Z

# MEP1G series

Product number

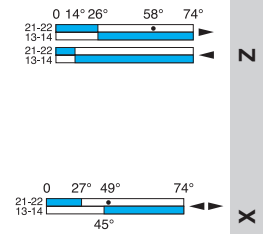
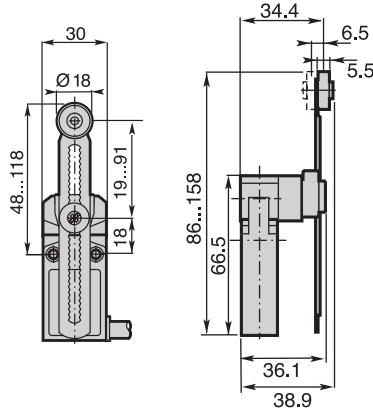
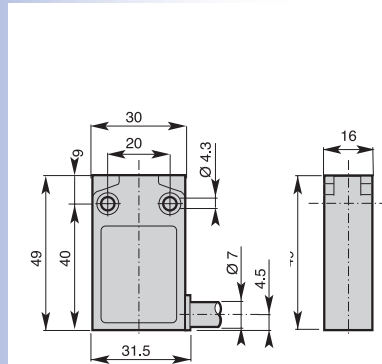
Dimensions (basic)

Dimensions (head)

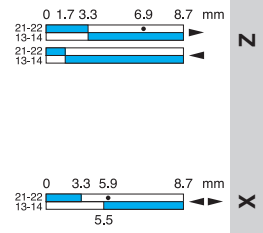
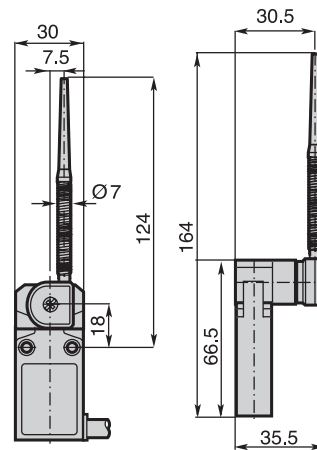
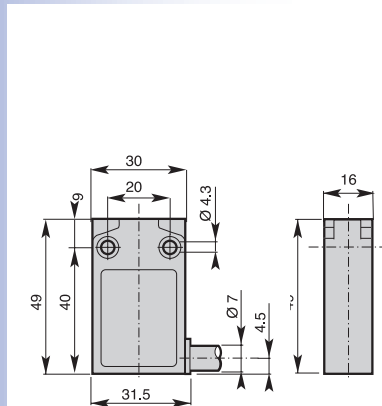
Operation diagram



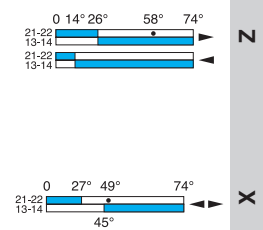
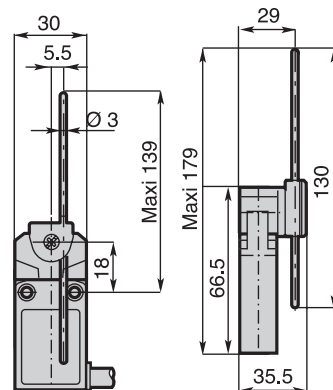
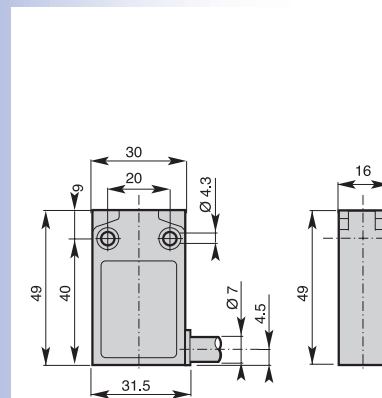
Adjustable toothed lever (step 2mm) with nylon roller  
MEP1G5100\*



Nylon actuator with stainless steel spring  
MEP1G61\*



Adjustable rod lever  
MEP1G71\*  
G71: stainless steel rod  
G72: fiberglass rod  
G75: square steel rod



**Product number**

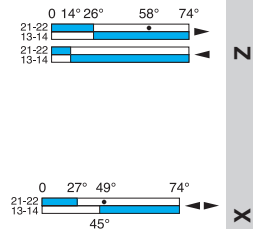
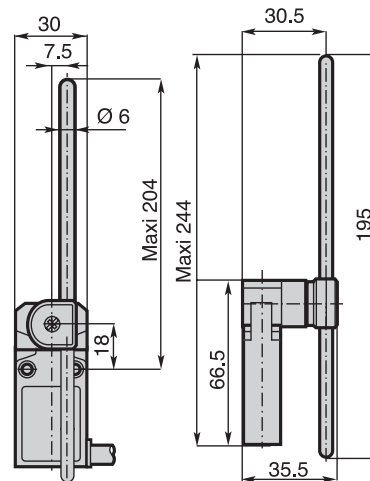
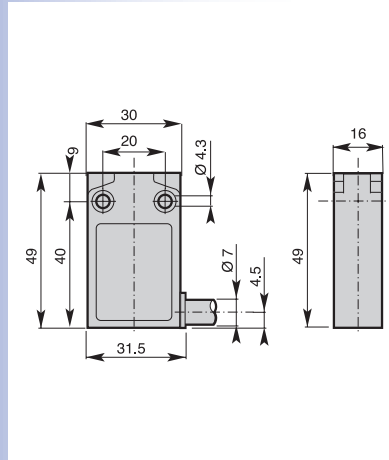
**Dimensions (basic)**

**Dimensions (head)**

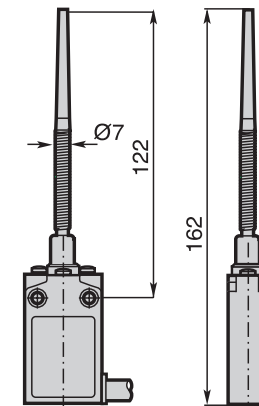
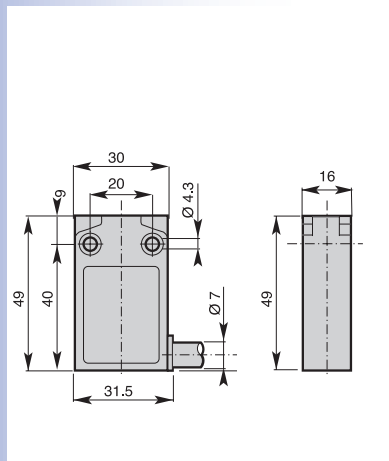
**Operation diagram**



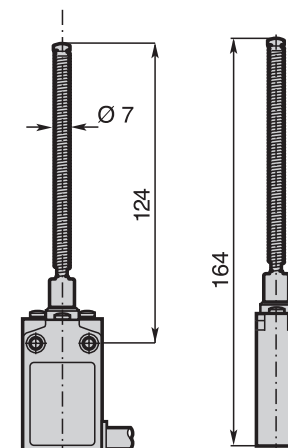
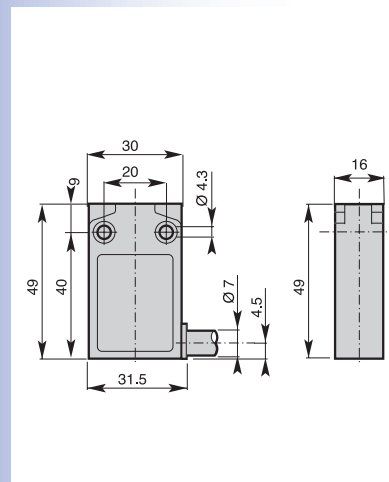
**Adjustable rod lever**  
MEP1G73\*\*  
G73: nylon rod  
G74: fiberglass rod



**Multidirectional nylon actuator with stainless steel spring**  
MEP1G92\*\*



**Multidirectional actuator with stainless steel spring**  
MEP1G93\*\*



\* Snap action: Z or X  
\*\* Snap action: Z