

Specification for Approval

Description :Thermo Switch (Automatic Resetting)

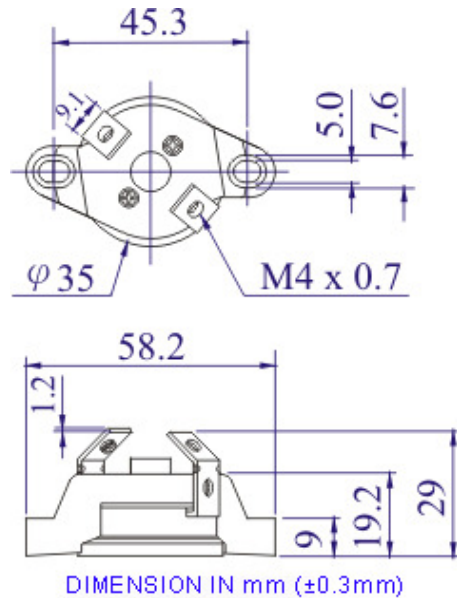
Model No. :B-2002-X1

Temperature :80°C/85°C/90°C/95°C100°C/105°C/110°C±5°C

Date :May 16, 2016



Series B-2002



Specification :

- * Temperature Range : 70°C ~ 130°C
- * Operation Tolerance : ± 5°C
- * Reset Differential : 10°C ~ 50°C
- * Input Power : 125VAC / 250VAC
- * Maximum Current : 45A
- * Dielectric Strength : 1500VAC / 1 minute
- * Method of Operation : Automatic Resetting
- * Rest Type : Auto Reset
- * Contact Type : NO = Normally Open
 NC = Normally Closed

Approval :

UL Approval : 75°C ~ 105°C

40A 125VAC

30A 250VAC

TUV Approval : 70°C ~ 130°C

45A 250VAC

Operation Environment :

Load	Skip Temperature	Rest Differential
No Load 0A	80°C±5°C	10°C~50°C
No Load 0A	85°C±5°C	10°C~50°C
No Load 0A	90°C±5°C	10°C~50°C
No Load 0A	95°C±5°C	10°C~50°C
No Load 0A	100°C±5°C	10°C~50°C
No Load 0A	105°C±5°C	10°C~50°C
No Load 0A	110°C±5°C	10°C~50°C

