



# PFT8810

## Installation Guide

Installationsanleitung, Guía de Instalación, Guida de Installazione, Guide d'Installation, Installatie gids

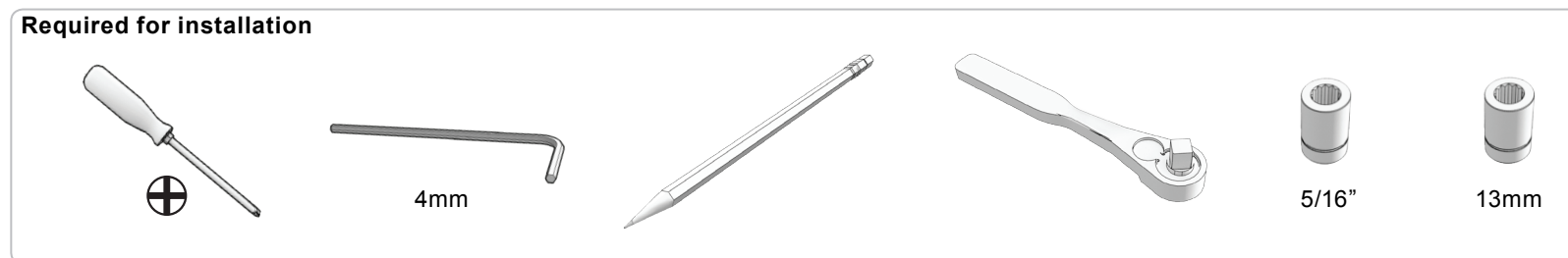
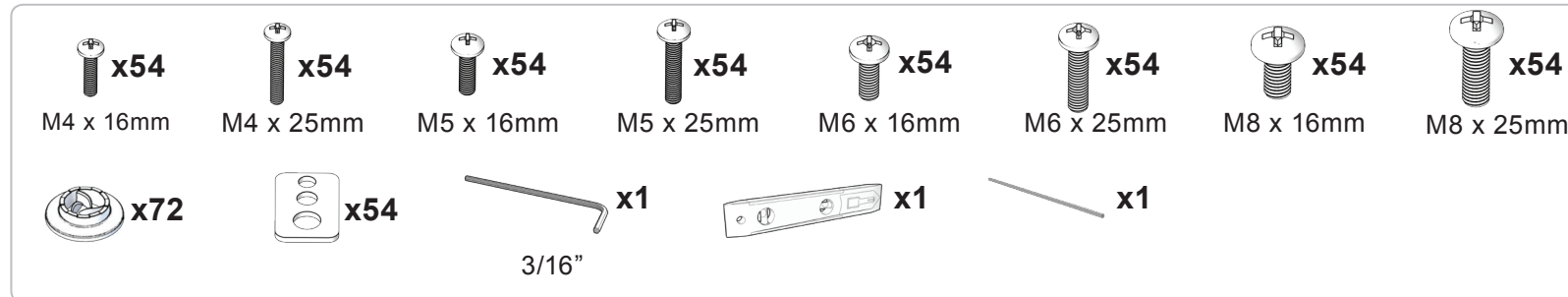
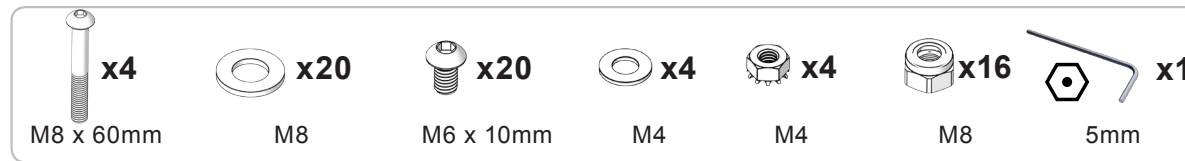


9532-010-Z01-00

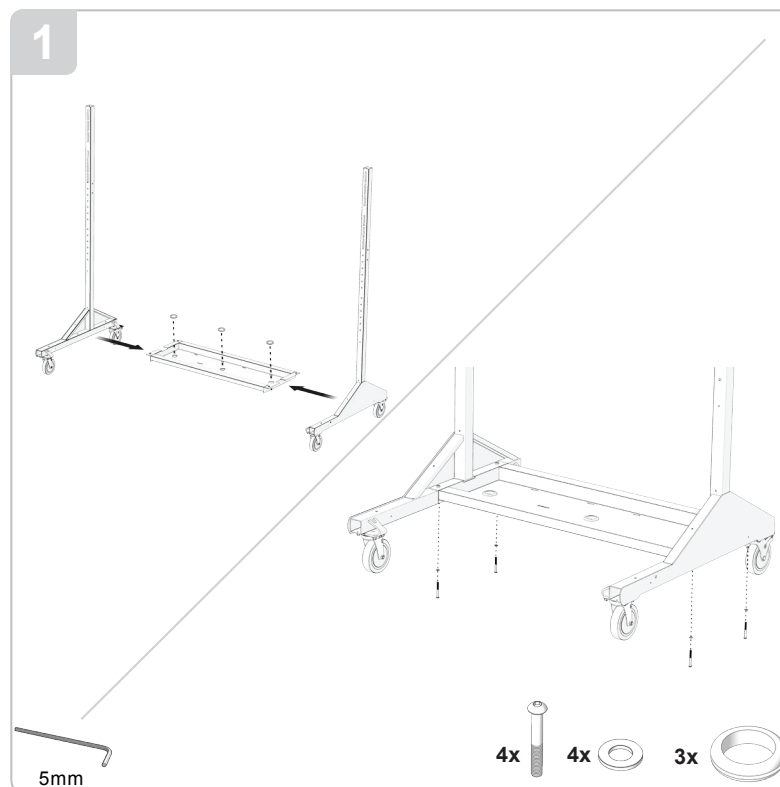
# PFT8810

## Installation Guide

Installationsanleitung, Guía de Instalación, Guida de Installazione, Guide d'Installation, Installatie gids



If this is a "one man" installation find a "friendly" clear flat wall to place one leg assembly along side. Place the bottom panel on top of the legs channel between the "upright". Next place the second leg over the bottom panel so all four through holes line up and loosely secure the lower panel to the legs with the four M8 x 1.25 x 60mm "button head Allen screws and M8 flat washers supplied.

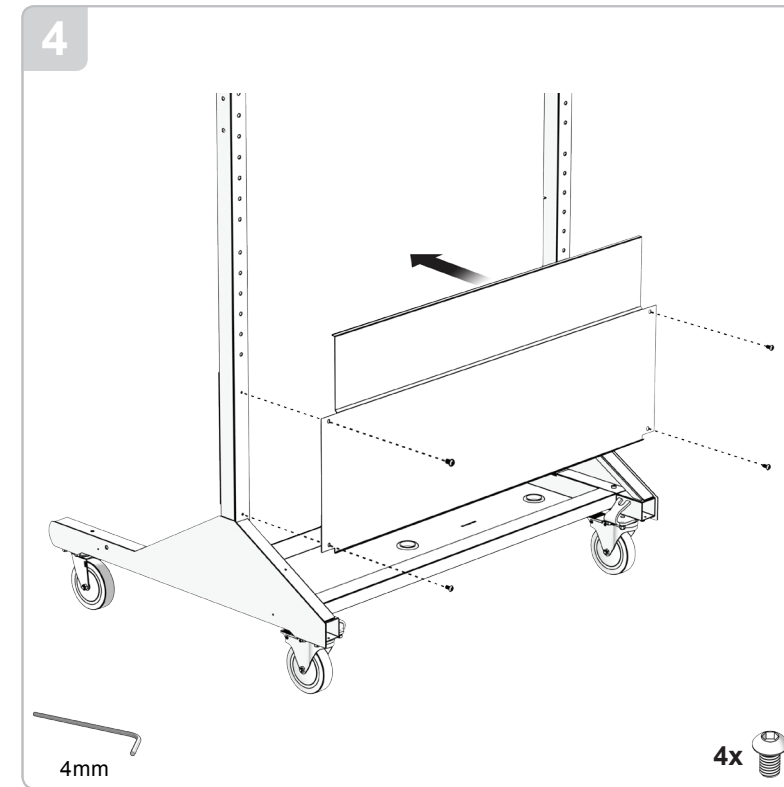
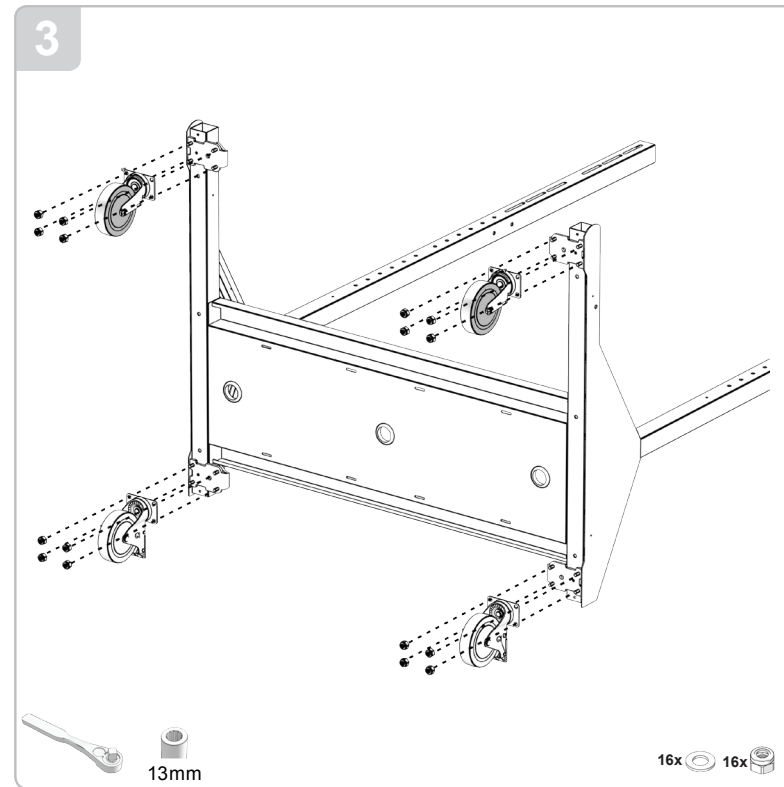


Install the upper cross brace between the inside frame rails with the four each M8 x 60mm button head Allen screws and flat washers supplied. Tighten all eight M8 x 60mm button head Allen screws to create a firm frame structure at this time.

# PFT8810 Installation Guide

Installationsanleitung, Guía de Instalación, Guida de Installazione, Guide d'Installation, Installatie gids

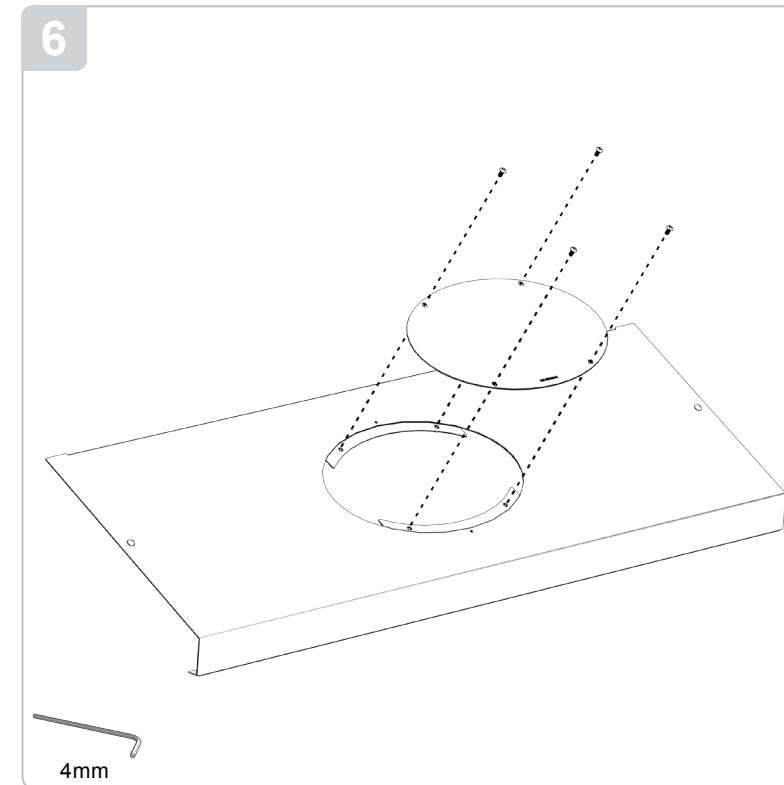
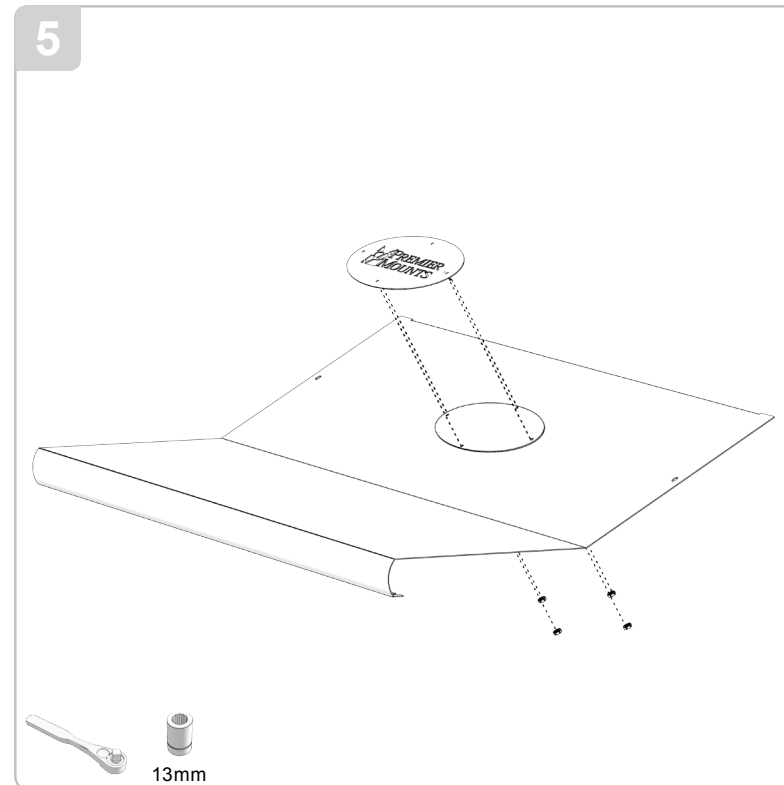
Laying the paired leg assembly first on its back and then on its front securely install the four casters on the front and rear of the leg assemblies using the M8 flat washers and M8 self locking nuts supplied. Then securely install the four casters. We recommend the two rear casters be the "locking pair"



Repeat the same procedure with the upper rear panel to the leg assembly with the four each M6 x 10mm "button head" Allen screws supplied.

Now secure firmly the four lower pan "button head" screws to the leg assembly and tighten firmly. Repeat the same process with the front and rear upper cover panels but "don't" over-tighten these.

Install the front "logo" plate to the bottom panel cover with the four each 10/32 x 1/2" "kep" nuts and flat washers supplied.

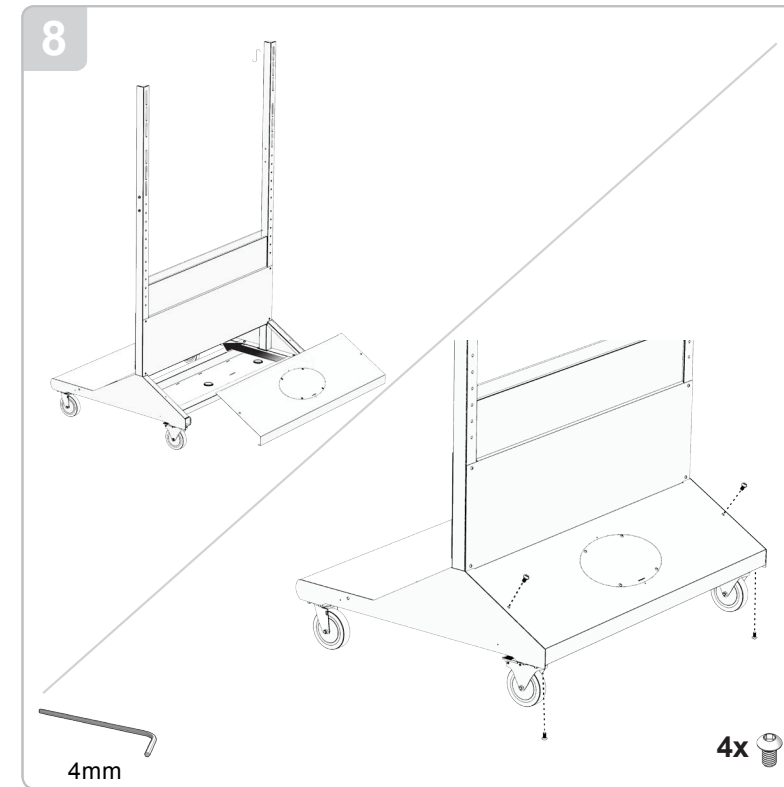
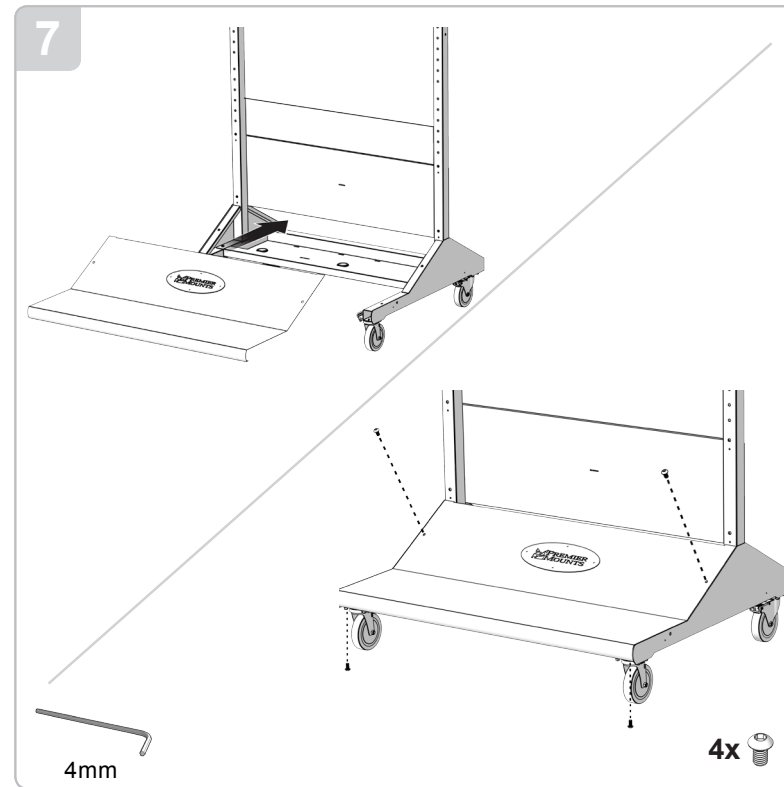


The rear oval panel cover can be installed before or after final assembly of the cart with the four each M6 x 10mm "button head" Allen head screws supplied.

# PFT8810 Installation Guide

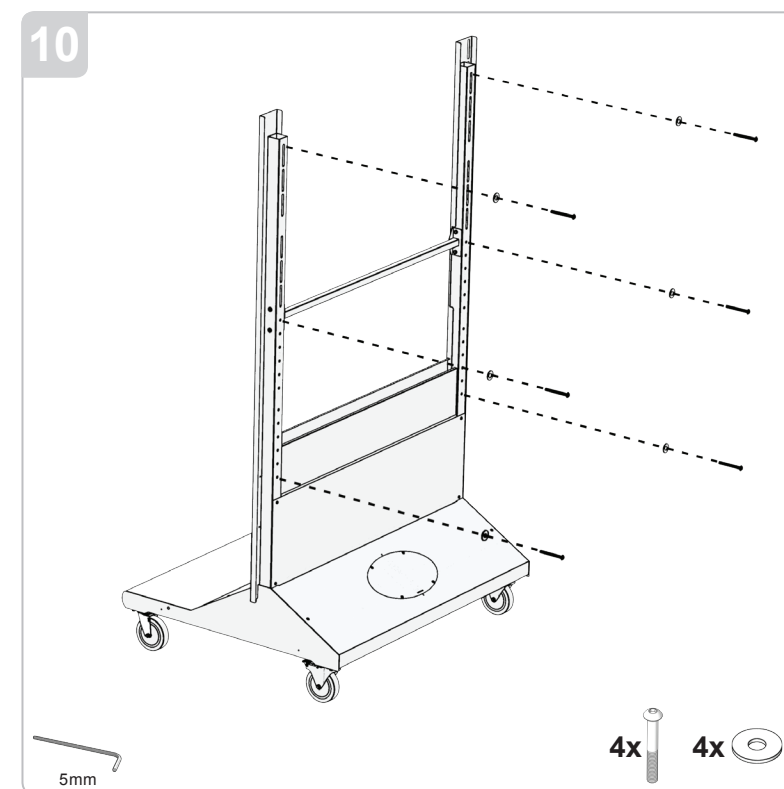
Installationsanleitung, Guía de Instalación, Guida de Installazione, Guide d'Installation, Installatie gids

Install the lower front panel cover to the frame front and secure to the frame assembly with the four each M6 x 1.0 x 10mm "button head" Allen head screws supplied



With the rear of the lower pan exposed now would be the time to place and wire any powered support products feeding the display with the power and signal cable being fed between the front and rear upper cover panels. Power and signal cable can also be run up through the three rubber grommet hole in the base on the pan as well. Once housed the rear cover panel may now be installed with the four M6 x 10mm "button head" Allen screws supplied. Access to the inner pan is still available through the rear oval access cover.

Install the two header frame to the mainframe aligning the the lowest hole in the main frame with the 46" or 55" hole depending on the screen size you will be using on your video wall. Secure the lower cross bar in the appropriate marked hole with the four each M8 x 60mm button head Allen screw and flat washer supplied. Confirm the cross bar is horizontal level and tighten securely to the main frame

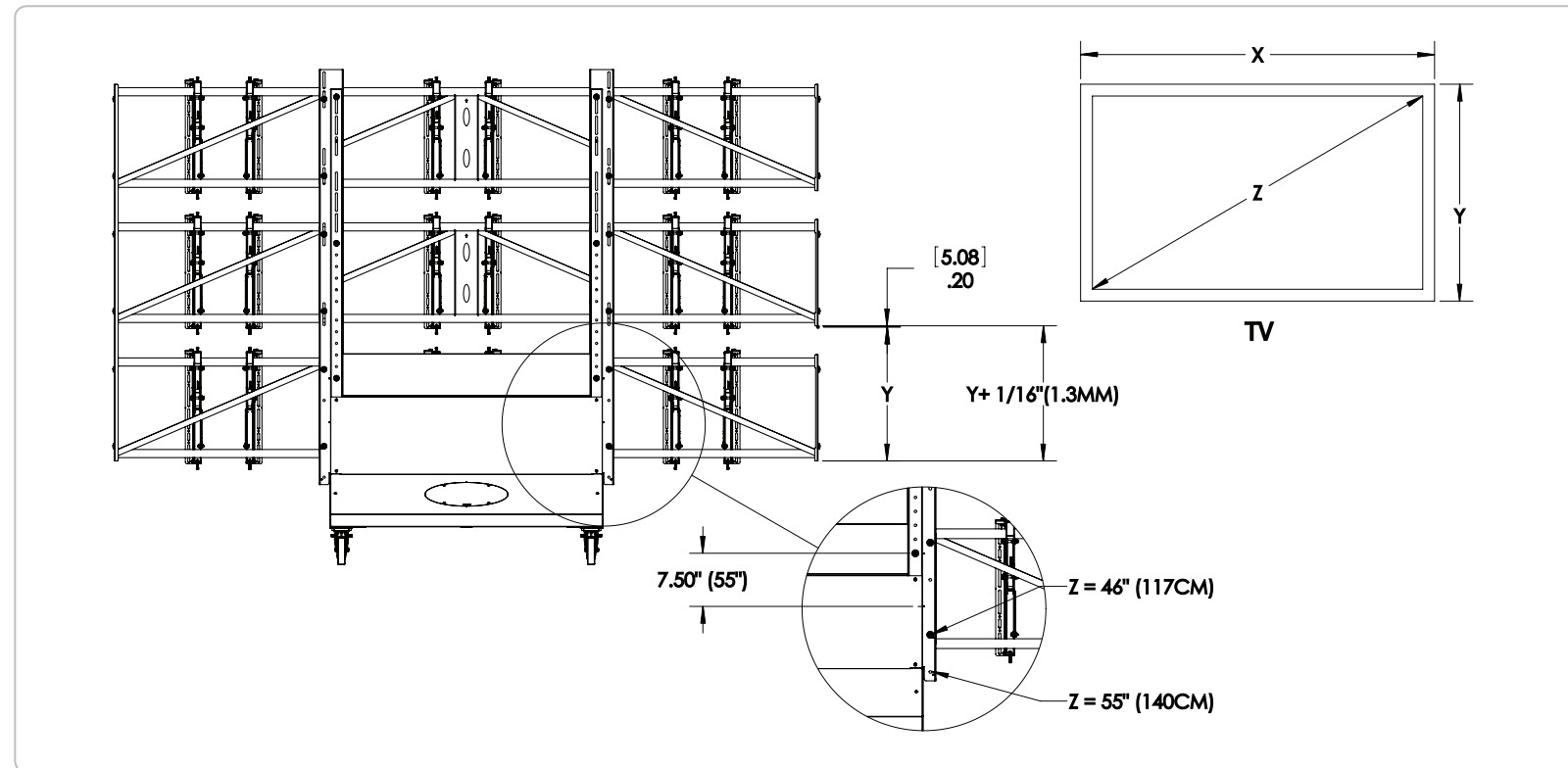


# PFT8810

## Installation Guide

Installationsanleitung, Guía de Instalación, Guida de Installazione, Guide d'Installation, Installatie gids

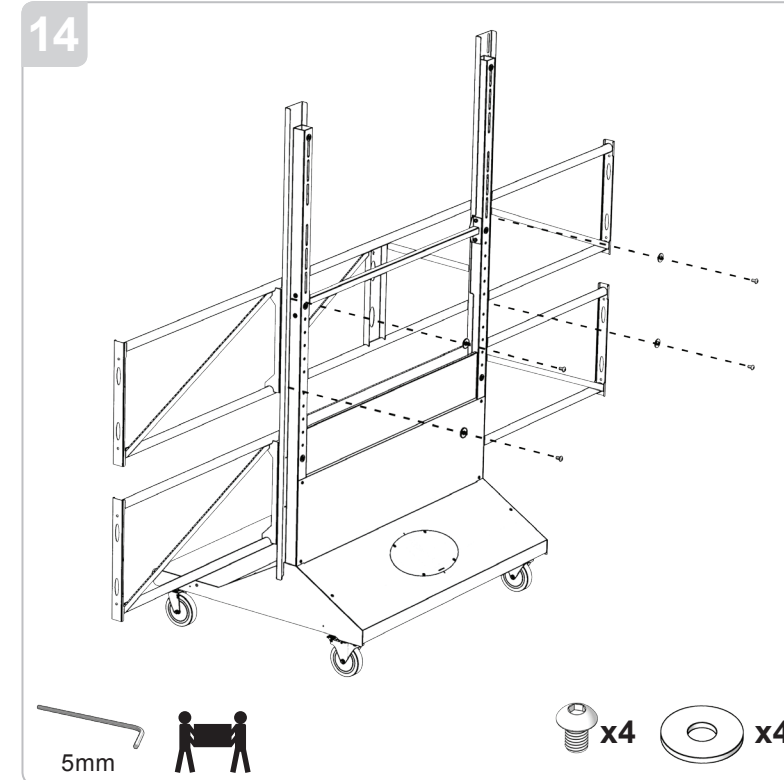
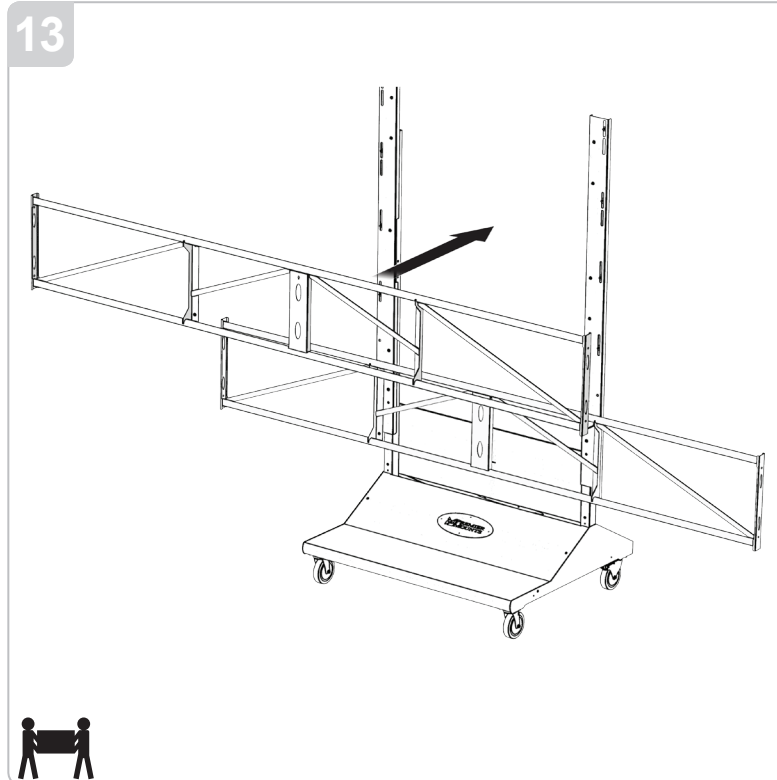
From this point on it is recommended that minimum two people to properly install the cross bar assemblies to the frame rails.



# PFT8810

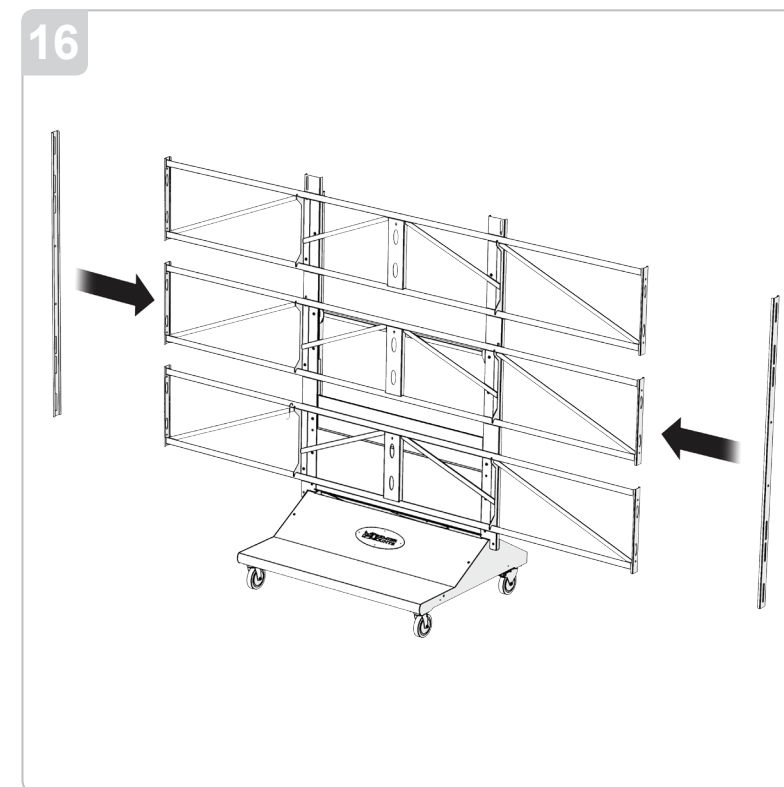
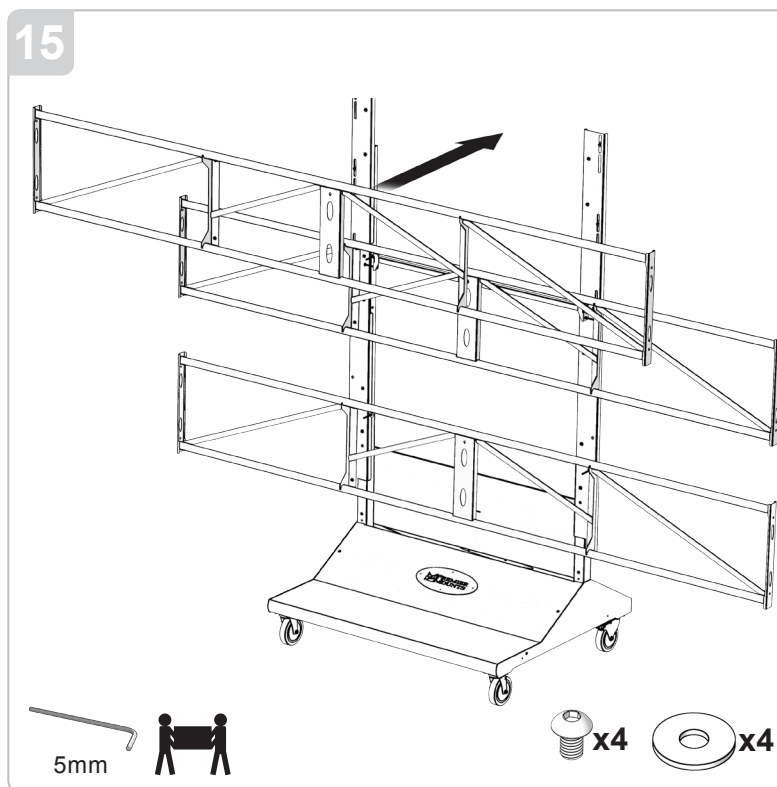
## Installation Guide

Installationsanleitung, Guía de Instalación, Guida de Installazione, Guide d'Installation, Installatie gids



Refer to the diagram on the previous page to find the proper spacing for the cross bars. Once you have the proper clearance height for placement of the second cross bar install, level and secure the second cross bar to the main frame with the four each M8 x 60mm button head Allen screws and flat washers supplied.

Repeat the same measurement procedure for the upper third level cross bar as you did for the second cross bar and install, level and secure the third crossbar to the mainframe with the four each M8 x 60mm button head Allen screws supplied screws.

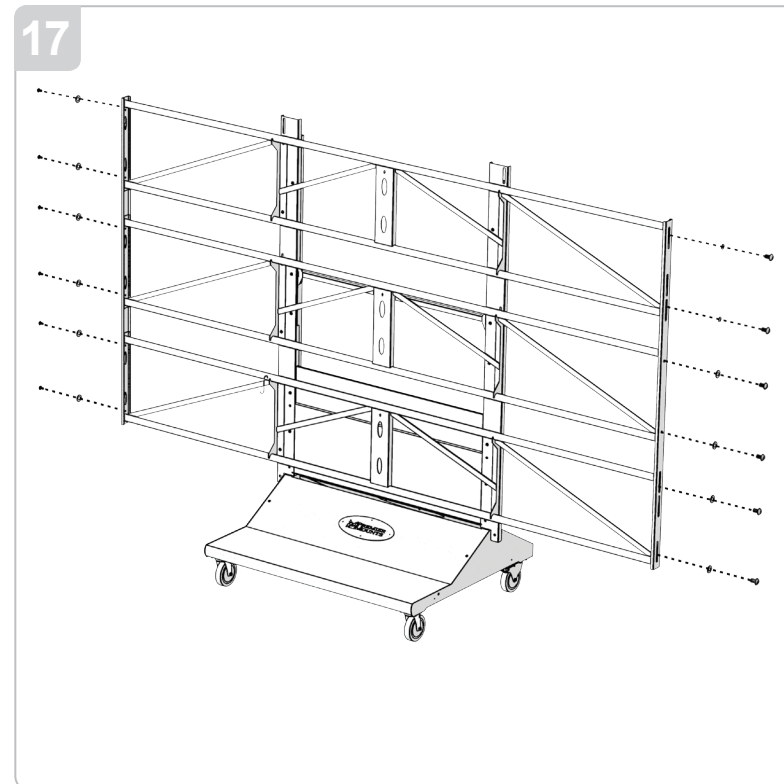


Once all three cross bars are confirm level and secure install and secure the "end cap" stabilizer covers to the cross bar ends with the four each M8 x 12mm button head Allen screws supplied.

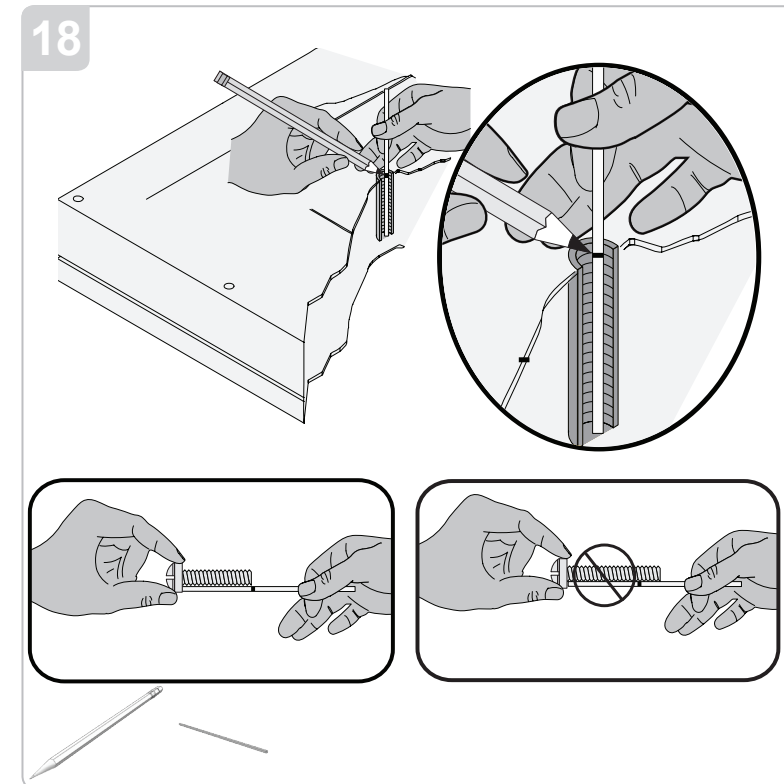
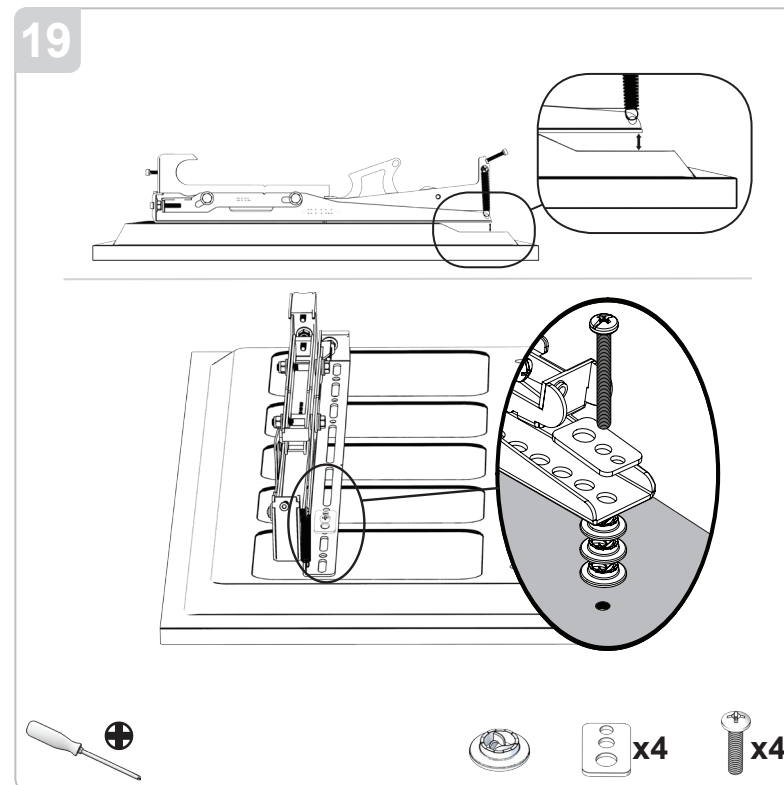
# PFT8810

## Installation Guide

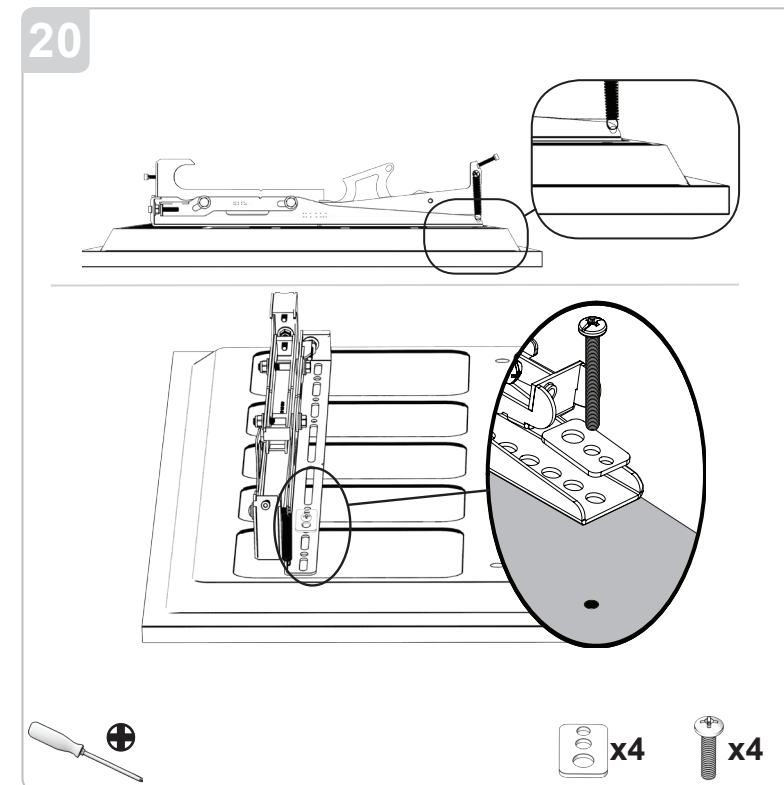
Installationsanleitung, Guía de Instalación, Guida de Installazione, Guide d'Installation, Installatie gids



Place the left and right mounting bracket (kickstand facing in on both brackets) and confirm the center of the bracket "notch" is exactly center between the top and bottom edge of the display and secure with the four each appropriate pitch and length screws supplied for your display. Note: accessory plastic spacer are supplied in case separation between the bracket and the display is require for clearance purposes.



Place the first flat panel display face down on a smooth flat surface and confirm the mounting depth and thread pitch or your display using the depth gauge supplied.

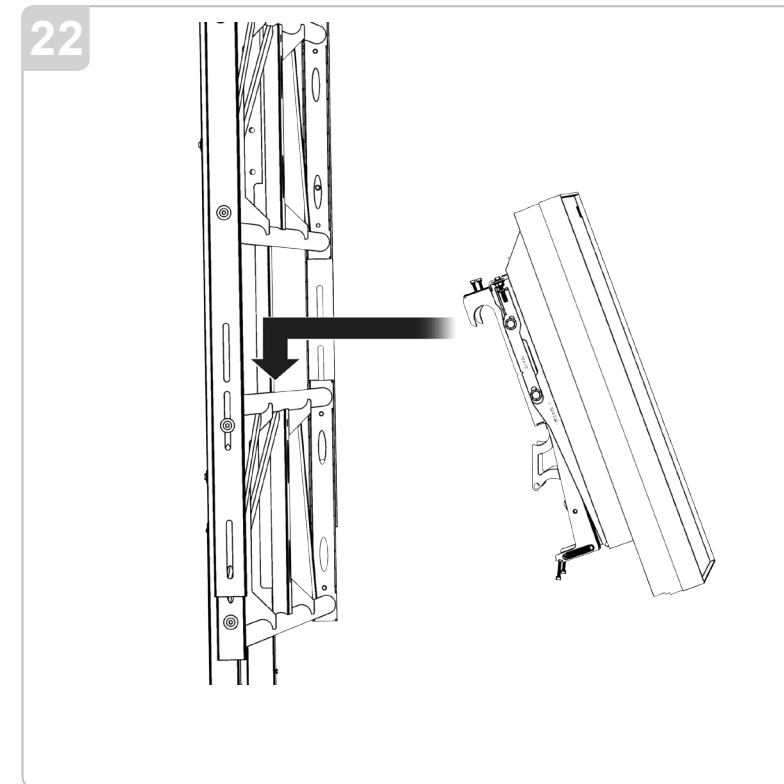
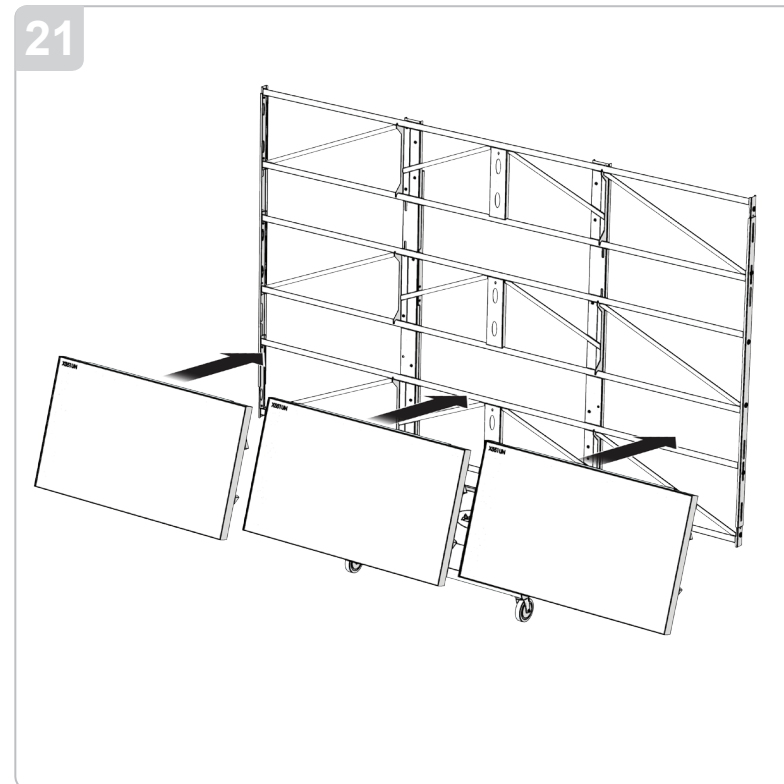


Once center and level of the brackets are confirmed secure the bracket firmly to the display. Repeat this procedure for all nine display being installed. Confirm the upper adjustment screws are center together by confirming all three notches are aligned.

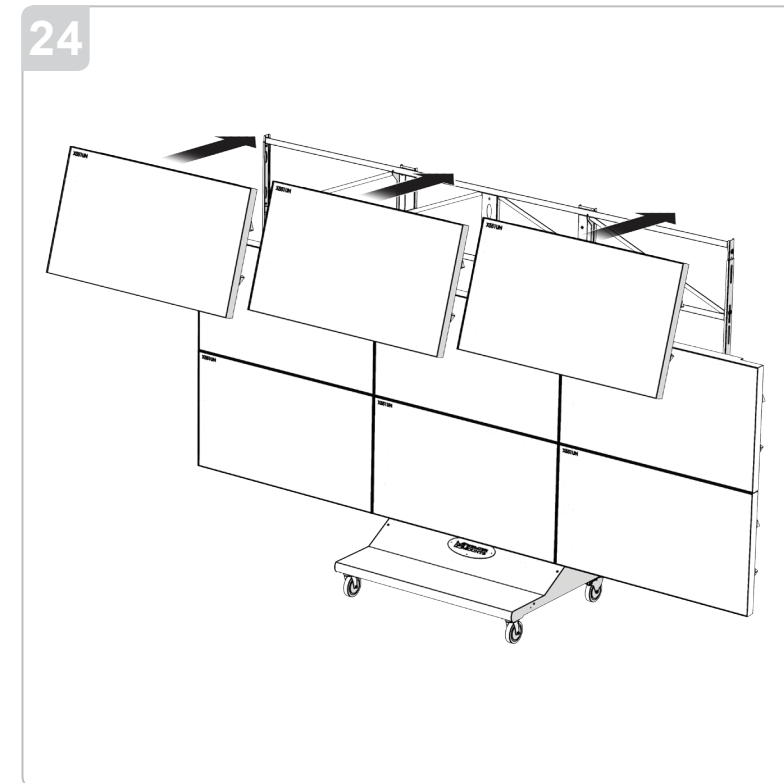
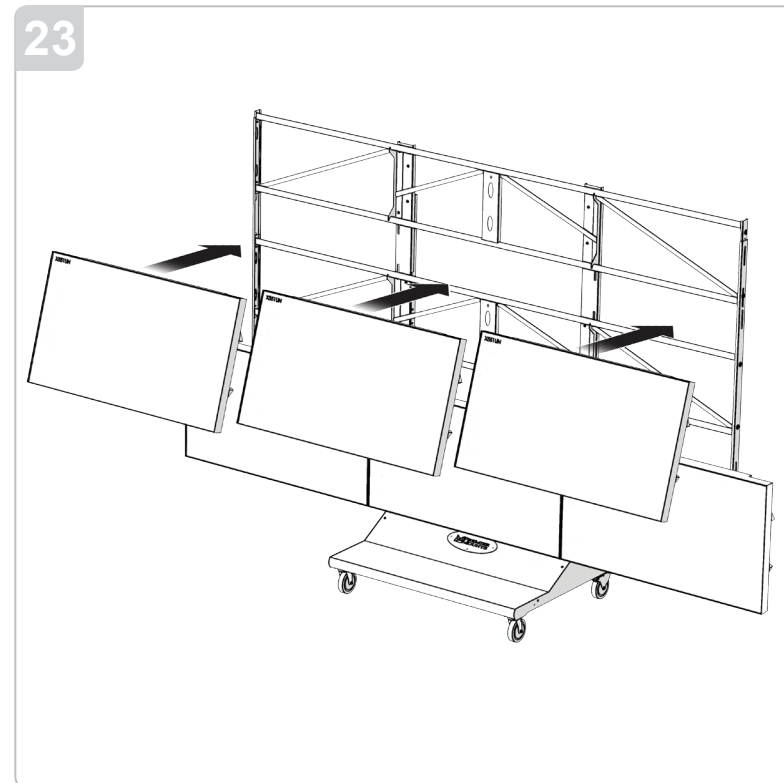
# PFT8810 Installation Guide

Installationsanleitung, Guía de Instalación, Guida de Installazione, Guide d'Installation, Installatie gids

Starting with the lower level cross bar and confirm the lower bracket security screws are wide open install the first display on the lower left side and confirm it is level both in the horizontal and vertical plane with a spirit level. Repeat the same procedure for the second and third display on the lower level. Create a 1/16" clearance between the side bezel edges of the displays and secure the display to the cross bar with the lower security screws on each bracket.



Once the lower three display are confirmed level and flat in both planes repeat this same procedure for the second level of display and the the third upper level of displays. Note: Should and display require access the lower security screw can be loosened an the display be rotated slowly out and the "kickstand" pulled down for access.



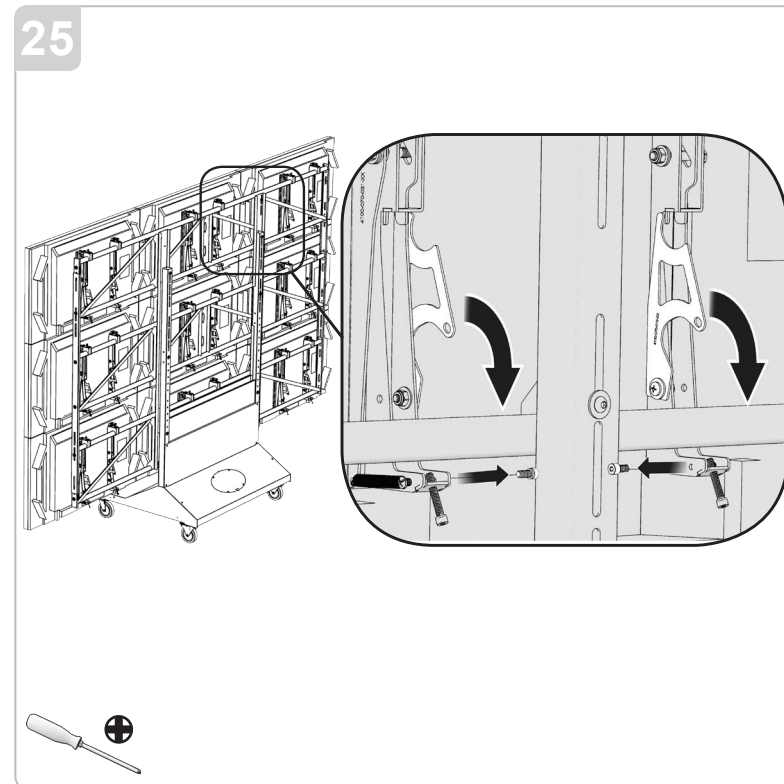


# PFT8810

## Installation Guide

Installationsanleitung, Guía de Instalación, Guida de Installazione, Guide d'Installation, Installatie gids

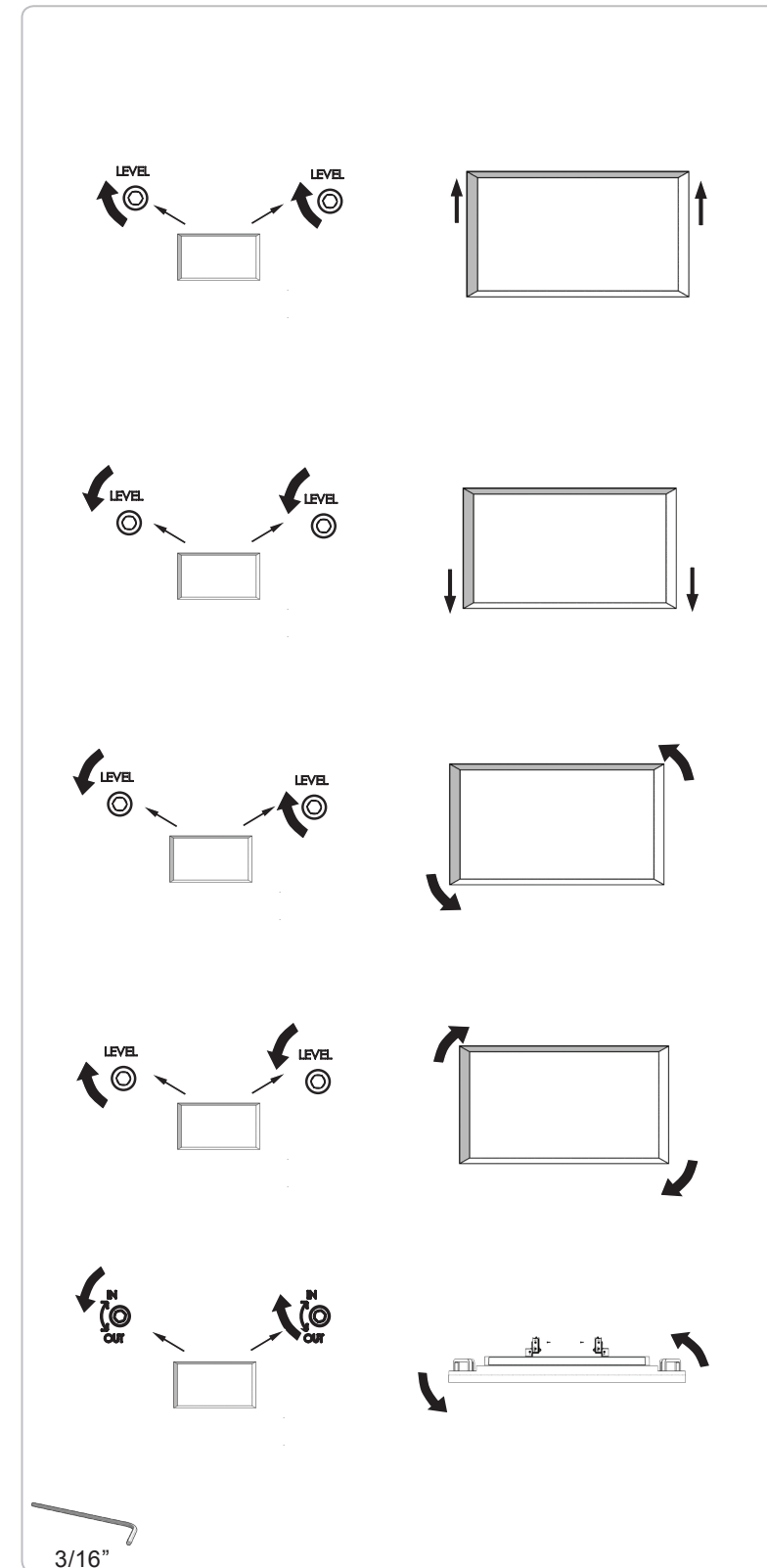
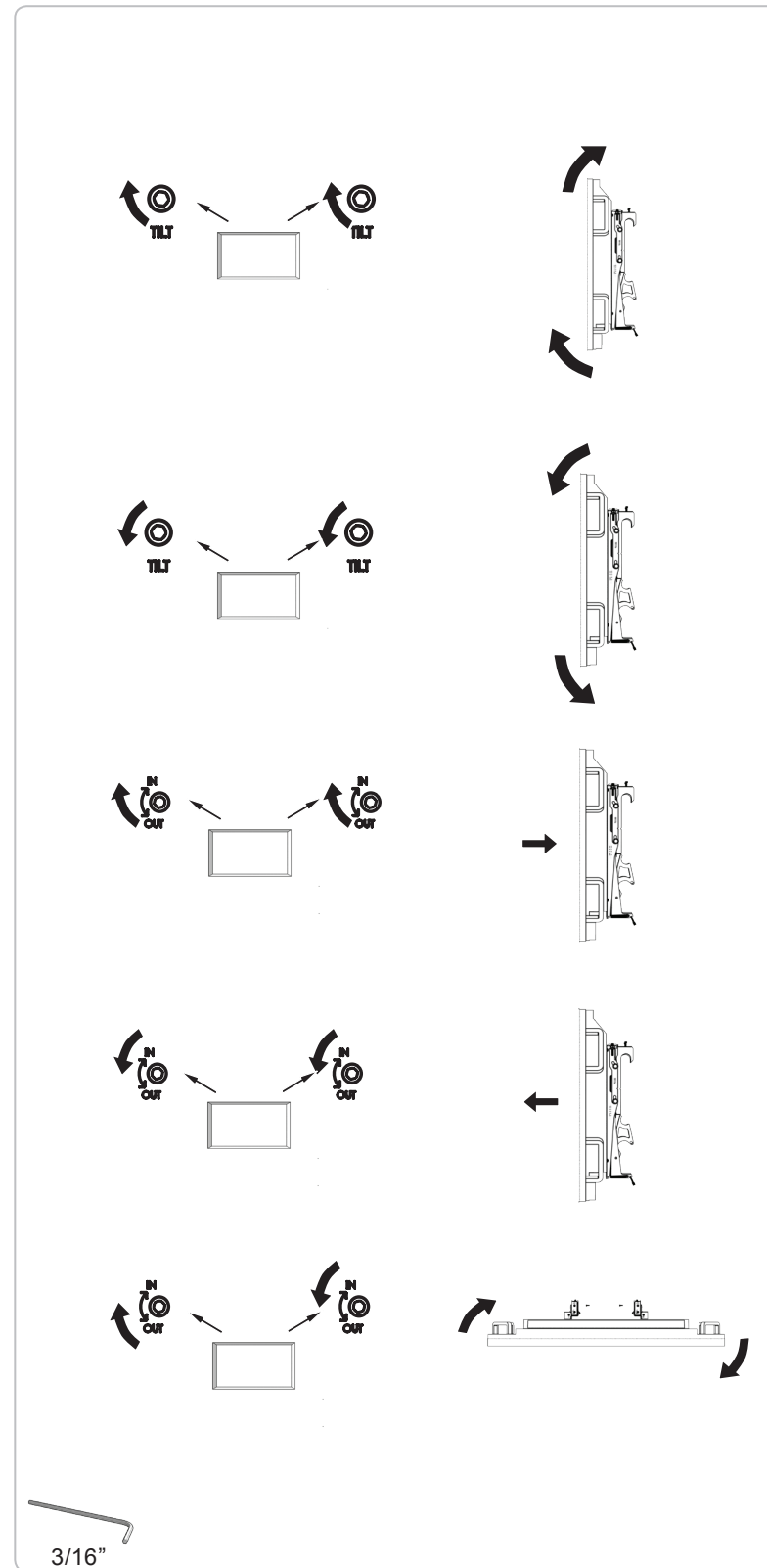
Once you mobile video wall is installed and alignment with 1 /16" heat expansion clearance confirmed between display edges. The dual purpose kickstand and safety lock be secured by pulling the lower swing down lock over the lower round tube and secure into the bracket with the M6 x 10mm Allen head screws supplied.

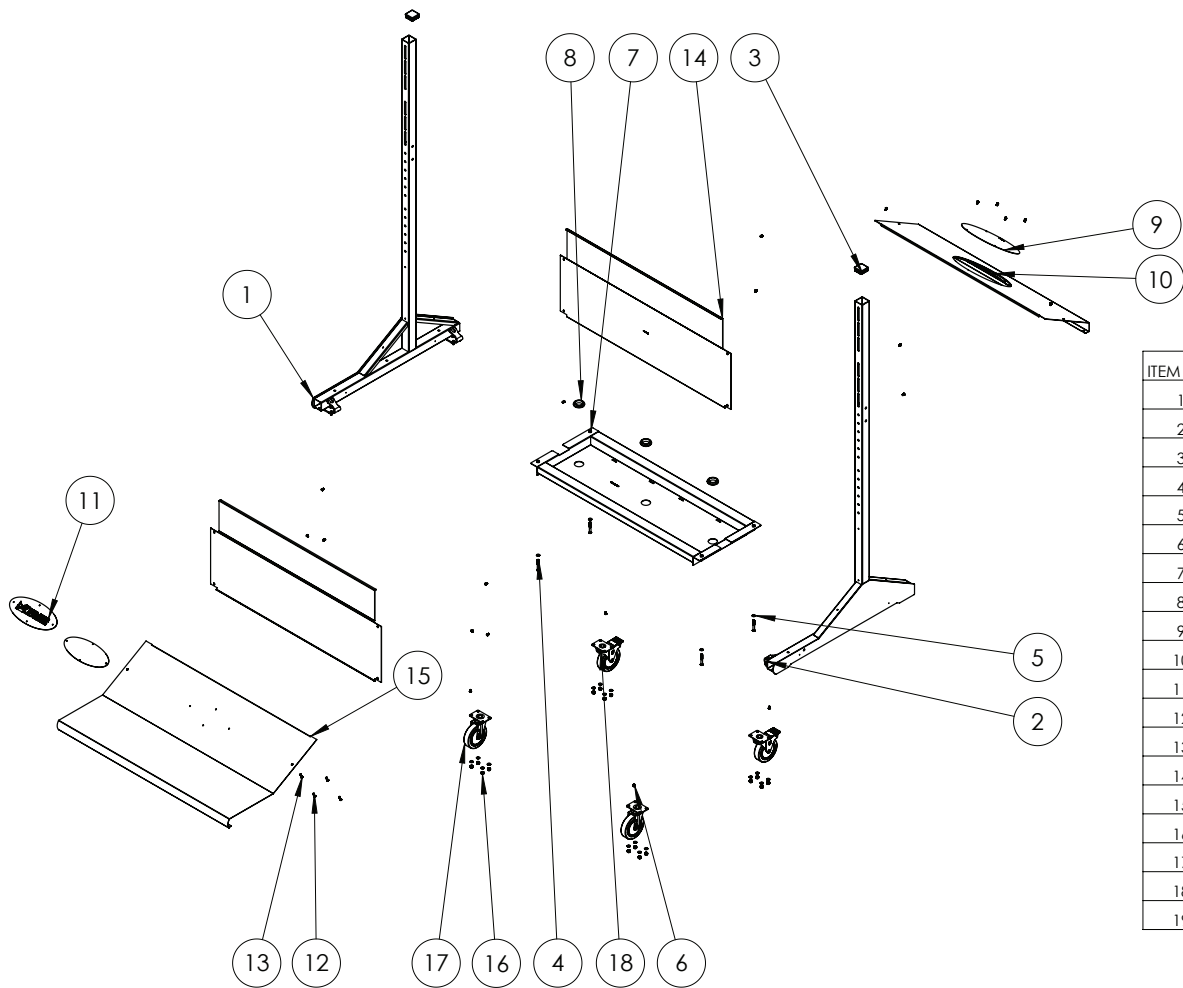


# PFT8810 Installation Guide

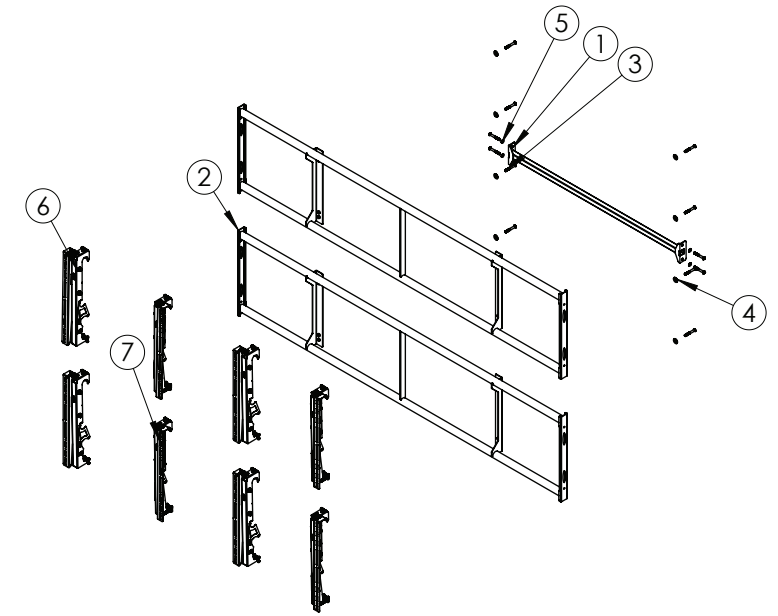
Installationsanleitung, Guía de Instalación, Guida de Installazione, Guide d'Installation, Installatie gids

Upper three stage precision alignment screws. Each bracket has its own three part Allen head screw adjusters that can be aligned independently to maximize the overall alignment to flat in both the vertical and horizontal mode as well as in and out.





ITEM NO.	QTY.	PART NO.	REV	DESCRIPTION
1	1	3201-000-010-XX	02	VERTICAL LEFT LEG ASSEMBLY 2X2
2	1	3201-000-020-XX	02	VERTICAL RIGHT LEG ASSEMBLY 2X2
3	2	0725-DCG-W02-13		PLUG PUSH-IN RIBBED SQUARE CAP 2 X 2"
4	4	0411-079-320-6X		SCREW BUTTON HEX (M8 x 1.25 x 60)
5	20	198X-507-600-50		WASHER M8 (.335 ID) X (.621 OD) X (.063 THK)
6	21	0398-061-091-6X		SCREW BUTTON HEX (M6 x 1.0 x 10)
7	1	3201-000-001-XX	03	LOWER TRAY
8	3	1558-BUD-P00-86		GROMMET BUNA-N RUBBER (1.50I.D) X (2.13 OD) X (.5"THK)
9	1	3201-000-005-XX	00	ACCESS PANEL
10	1	3201-000-060-XX	02	REAR PANNEL WELDED ASSY
11	1	3201-000-006-XX	02	SIGN PANEL
12	4	198X-265-100-35		WASHER M4 (.172 ID) X (.347 OD) X (.031 THK)
13	4	1200-034-007-5X		NUT KEP (6/32"X.109)
14	2	3201-000-015-XX	01	UPPER COVER
15	1	3201-000-003-XX	05	FRONT COVER
16	16	1070-079-015-0X		NYLON INSERT HEX LOCK NUT (M8X1.25 X .315) DIN 985
17	2	3300-280-000-XX		DURABLE SUPERIOR CASTERS (SWIVEL)
18	2	3300-280-001-XX		DURABLE SUPERIOR CASTER (LOCKING)
19	1	3201-000-008-XX	00	SIGN PANEL BACKING PLATE



ITEM NO.	QTY.	PART NO.	REV	DESCRIPTION
1	1	3201-000-030-XX	01	1" HORIZONTAL TUBE BRACE ASSEMBLY
2	2	3201-000-040-XX	01	HORIZONTAL MOUNT ASSEMBLY
3	12	0411-079-320-6X		SCREW BUTTON HEX (M8 x 1.25 x 60)
4	8	201X-50A-B00-55		WASHER LG O.D M8 (.335 ID) X (.934 O.D) X (.079)
5	4	198X-507-600-50		WASHER M8 (.335 ID) X (.621 OD) X (.063 THK)
6	4	4100-070-020-XX	07	LEFT MOUNTING BRACKET ASSY
7	4	4100-070-030-XX	07	RIGHT MOUNTING BRACKET ASSY