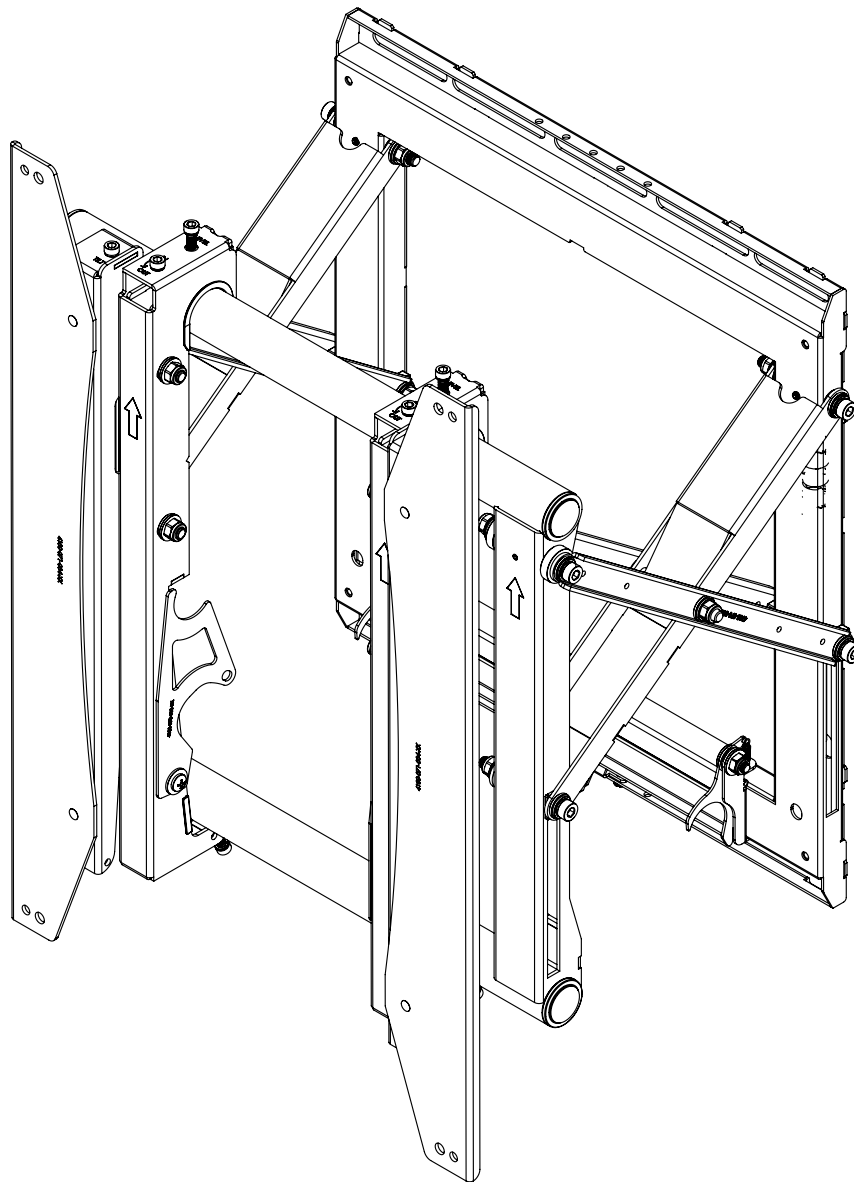


PFW 6875

Installation Guide

Installationsanleitung, Guía de Instalación, Guida de Installazione, Guide d'Installation, Installatie gids



www.vogels.com | Europe +31 (0)40 26 47 400

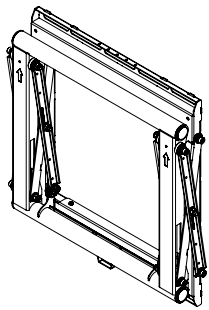
PFW 6875

Installation Guide

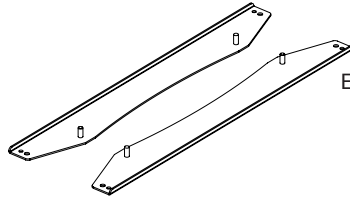
Installationsanleitung, Guía de Instalación, Guida de Installazione, Guide d'Installation, Installatie gids

Maximum Flat Panel Weight:
160 lb. / 72.57 kg.

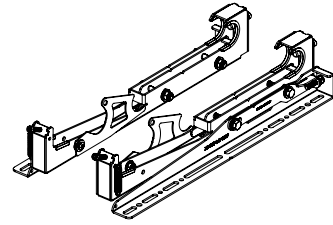
Included Components



Wall Mount
(Qty 1)



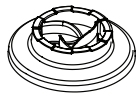
Extension Brackets
(Qty 2)



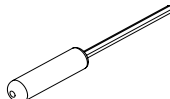
Bracket
(Qty 1 Pair)



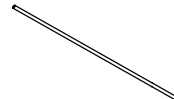
5/16" Flat Washers
(Qty 4)



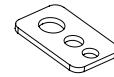
Universal Spacers
(Qty 8)



M5 Allen Driver
(Qty 1)



Thread Depth Indicator
(Qty 1)



Universal Washers
(Qty 4)



5/16" x 3" (76mm) Lag Bolts
(Qty 4)



5/16" (7.93 mm) Concrete
Wedge Anchors
(Qty 4)



M8 Washers
(Qty 4)



M8 Nylon Nut
(Qty 4)



M4 x 12mm (Qty 4)



M6 x 12mm (Qty 4)



M8 x 12mm (Qty 4)



M4 x 16mm (Qty 4)



M6 x 16mm (Qty 4)



M8 x 16mm (Qty 4)



M4 x 25mm (Qty 4)



M6 x 25mm (Qty 4)



M8 x 16mm (Qty 4)

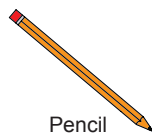


M8 x 25mm (Qty 4)

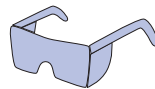
Required for installation



Electronic Stud Finder



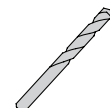
Pencil



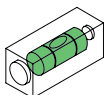
Protective Eyewear



M6 or 1/4" Drill Bit



M8 or 5/16" Concrete Drill Bit



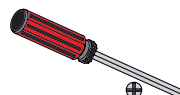
Level



10mm Socket



13mm or 1/2" Socket



Phillips Head Screwdriver



Socket Wrench

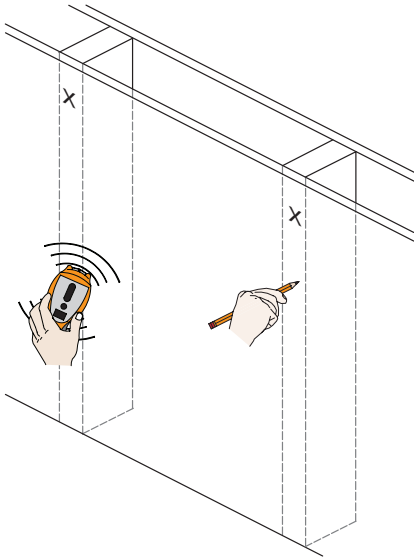


Portable Drill



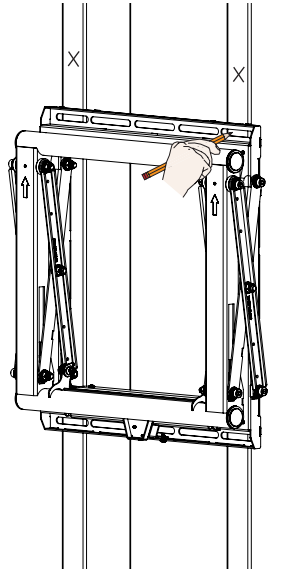
Wood Stud Installation

1



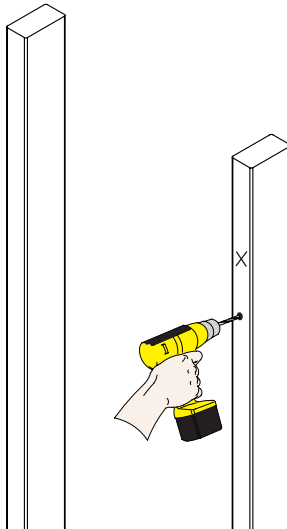
- 1) Use a stud finder to determine the wall studs in the vicinity of the mount.
- 2) Use a pencil to mark each of the wall studs.

2



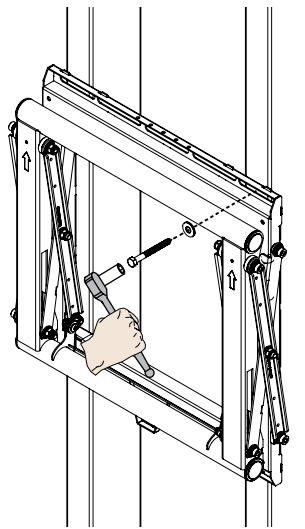
Use a pencil to mark the upper right mounting location of the wall stud.

3



Drill a "pilot hole" using a M6 or 1/4" drill bit on the stud that was marked on the upper right.

4



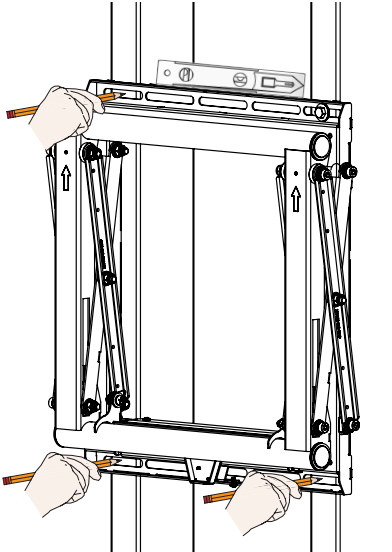
- 1) Place the mount against the wall and align it with the pilot hole.
- 2) Insert one (1) 5/16" x 3" (76 mm) lag bolt one (1) 5/16" washer into the upper right pilot hole.
- 3) Use a socket wrench and a 13mm or 1/2" socket to tighten the lag bolt.

PFW 6875

Installation Guide

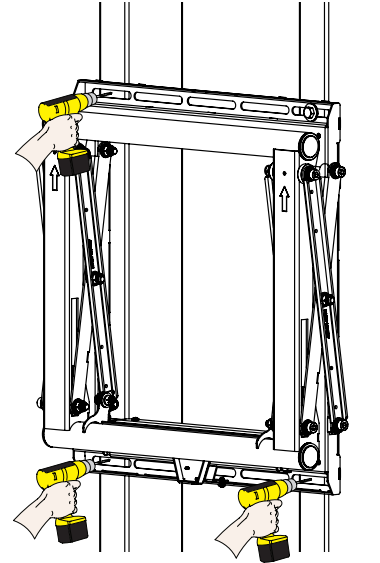
Installationsanleitung, Guía de Instalación, Guida de Installazione, Guide d'Installation, Installatie gids

5



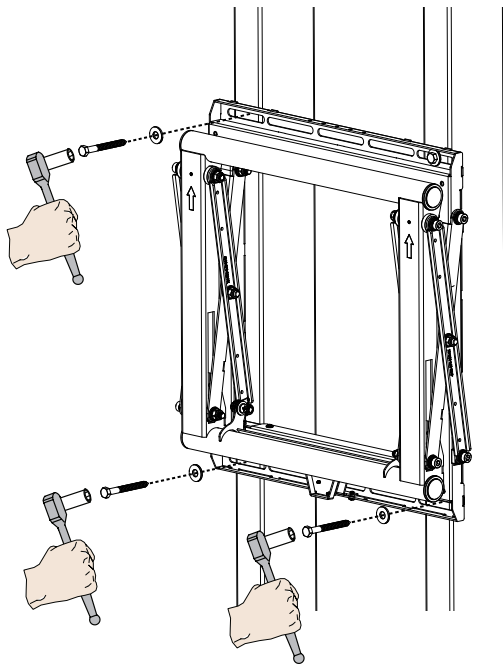
- 1) Level the mount
- 2) Use a pencil to mark the remaining three (3) mounting locations

6



- 1) Drill a "pilot hole" in each of the three (3) marks with a power drill and a M6 or 1/4" drill bit.

7



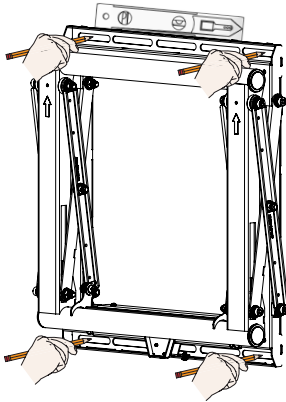
- 1) Insert one (1) 5/16" x 3" (76 mm) lag bolt and one (1) 5/16" washer into each pilot hole.
- 2) Tighten all lag bolts using a socket wrench and 13mm or 1/2" socket.

Do not over tighten the lag bolts



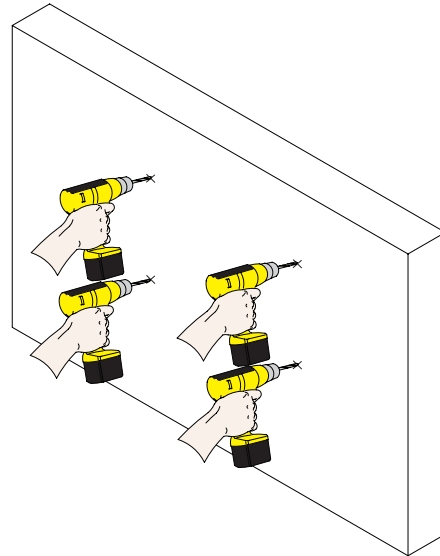
Concrete Wall Installation

8



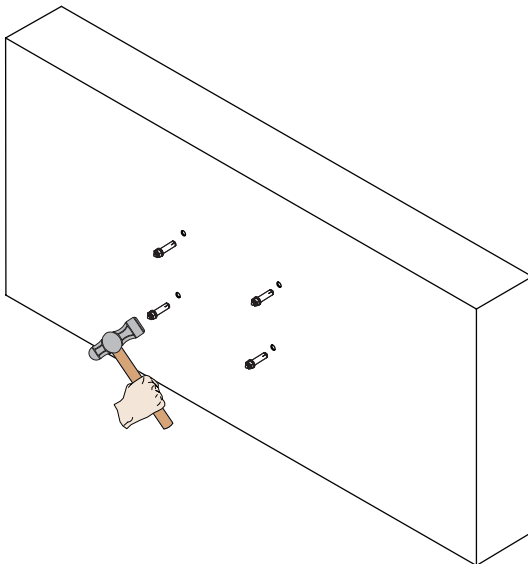
Two people recommended for this step; one person to level the mount and another person to mark the mounting locations.

9



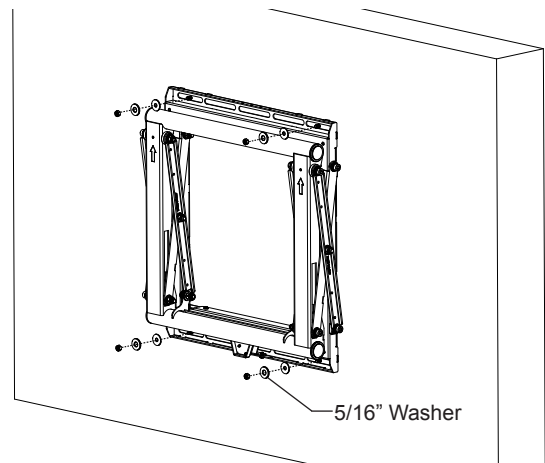
Drill a "pilot hole" in each of the four (4) mark areas with a M8 or 5/16" concrete drill bit.

10



- 1) Insert the concrete wedge anchors into each hole. Lightly tap each concrete wedge anchors into place with a hammer.
- 2) Remove the nuts and washers from the concrete wedge anchors.

11



- 1) Place the mount against the wall over the threaded shafts of the concrete wedge anchors.
- 2) Attach the nuts and washers you remove and add (1) 5/16" washers on each threaded shafts.
- 3) Tighten using a socket wrench and a 10mm socket.

Do not over tighten the concrete wedge anchor

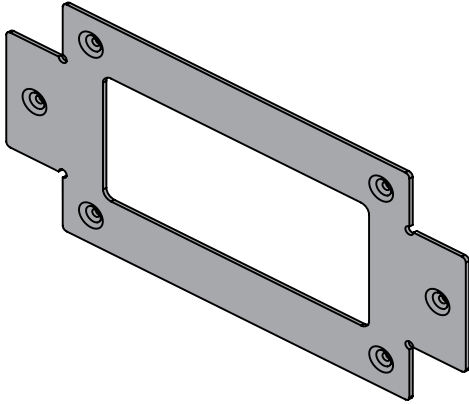
PFW 6875

Installation Guide

Installationsanleitung, Guía de Instalación, Guida de Installazione, Guide d'Installation, Installatie gids

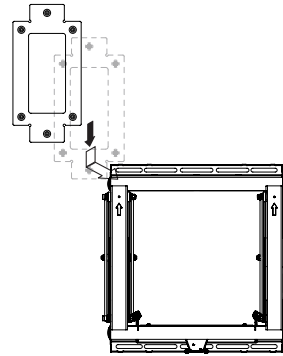
Installing OPTIONAL Model Specific Spacers

12



PFW 6875 dedicated flat-panel spacers are engineered with the knowledge that aligning each flat-panel on a large wall is time consuming and costly. **These model-specific spacers** are available for most flat-panels, which significantly reduces the installation time. (Call Customer Service to inquire about model specific spacers.)

13



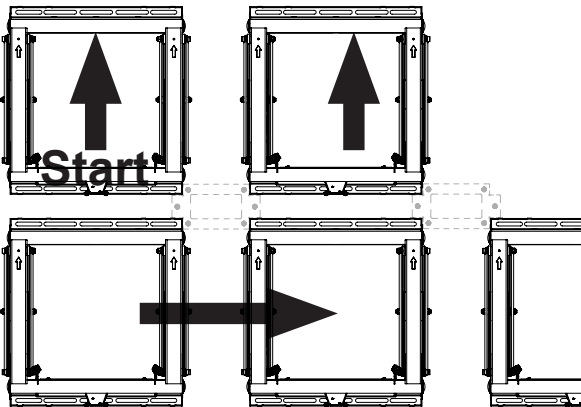
- 1) Once your PFW 6875 is mounted in the desired location and is level, align your spacer to the top left or right (depending on your install direction) corner register tabs of your mount.

You may use commercially available hardware to secure the spacer to the wall during installation (depending on the wall material). You may utilize the same spacer for multiple PFW 6875 installations.



This spacer is shown for illustration purposes only. Your spacer may look different depending on the display model you are installing.

13

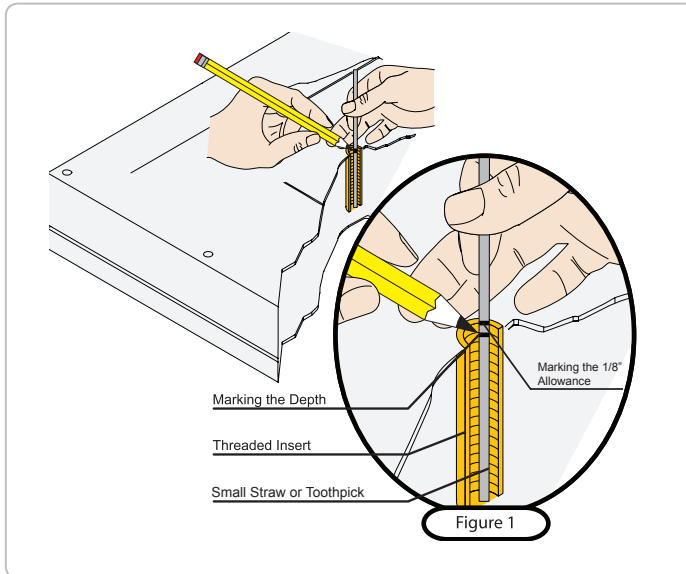


Multiple PFW 6875 mounts can be installed using model specific spacers. Simply repeat step one when installing each of the surrounding PFW 6875 mounts. Use one spacer for each 2x2 installation by mounting it to the wall, or utilize the same spacer as many times needed to complete an unlimited PFW 6875 large matrix video wall.

1. Make sure the spacer is plumb and level and mark each corner where the PFW 6875 will be mounted (or secure to the wall). It is best to start from the bottom corner and work your way up.
2. Install the second mount working in a horizontal direction.
3. Ensure that the mount remains plumb and level.
4. Repeat this step for each mount horizontally
5. To install multiple rows, place spacer between previously installed PFW 6875's on the bottom row. Make sure the spacer is plumb and level, mark the corners (or secure to the wall) to be sure of where the PFW 6875 should be and secure your mount to the wall.



Selecting the Mounting Hardware



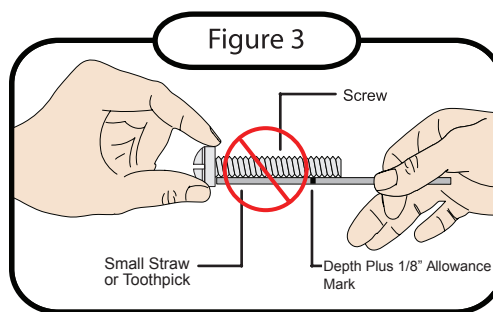
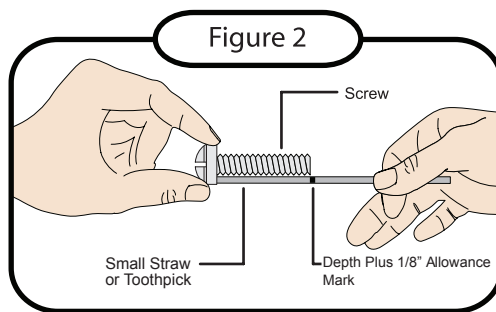
- 1) Insert a small straw or toothpick into the threaded inserts found on the back of the flat-panel.
- 2) Use a pencil to mark the depth of the threaded insert on the small straw or toothpick.
- 3) Mark the straw or toothpick $1/8''$ (3.175 mm) above the depth of the threaded insert, as shown in Figure 1.
- 4) Insert the small straw or toothpick into the remaining threaded inserts to compare and verify their depth using the straw or toothpick's $1/8''$ (3.175 mm) allowance mark.
- 5) Locate the correct diameter screw for the threaded insert.



If the screw you selected is longer than the $1/8''$ (3.175 mm) allowance mark on the small straw or toothpick, as shown in Figure 2 and Figure 3, do not use this screw. The screw length must not bypass the mark.

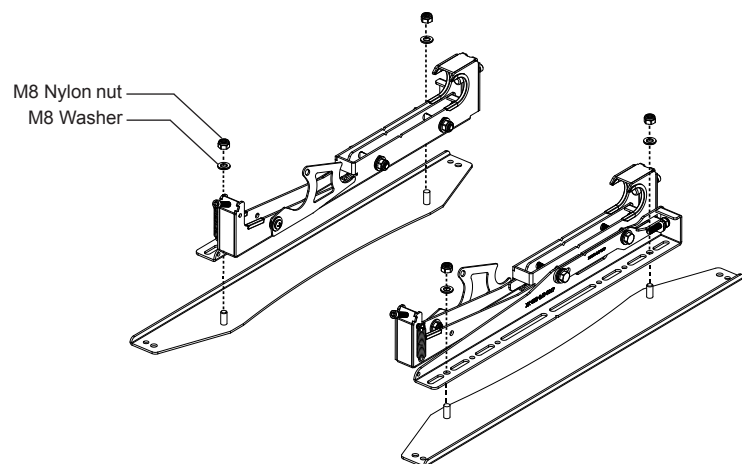
- 6) Test each size of the screws provided.

The correct screws should thread easily into the mounting point and not pull out when tension is applied.



Securing the Adapters

Optional adapters are available with your PFW 6875 mount. Secure the adapters to the PFW 6875 brackets with the supplied M8 washers and Nuts.

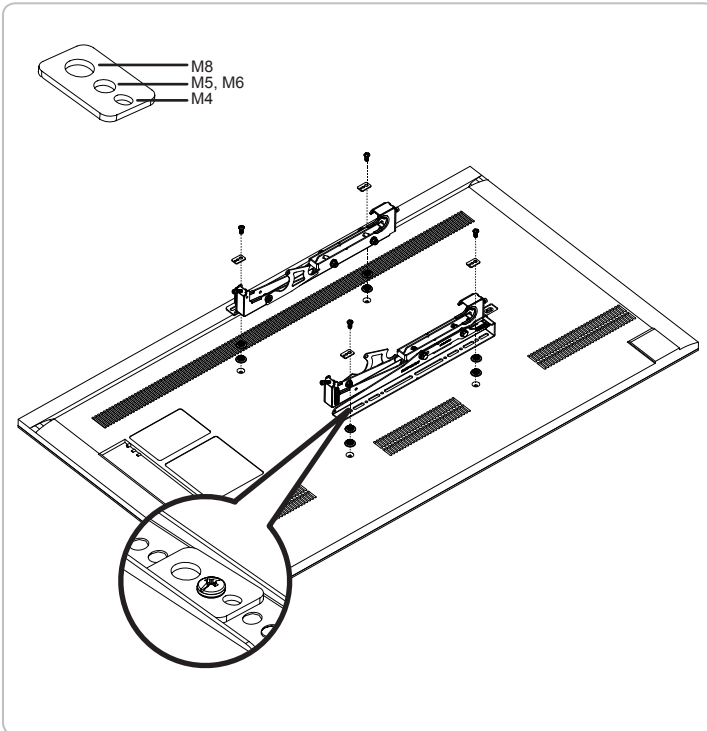


PFW 6875

Installation Guide

Installationsanleitung, Guía de Instalación, Guida de Installazione, Guide d'Installation, Installatie gids

Universal Washer Installation



Universal Washers are designed to accommodate the various M4, M5, M6 and M8 hole sizes required by flat-panels.

! Do not place excessive pressure on the back of the flat-panel, as this may damage your flat-panel.

! The Universal Washer must be installed between the head of the mounting screw and the mounting bracket as shown.



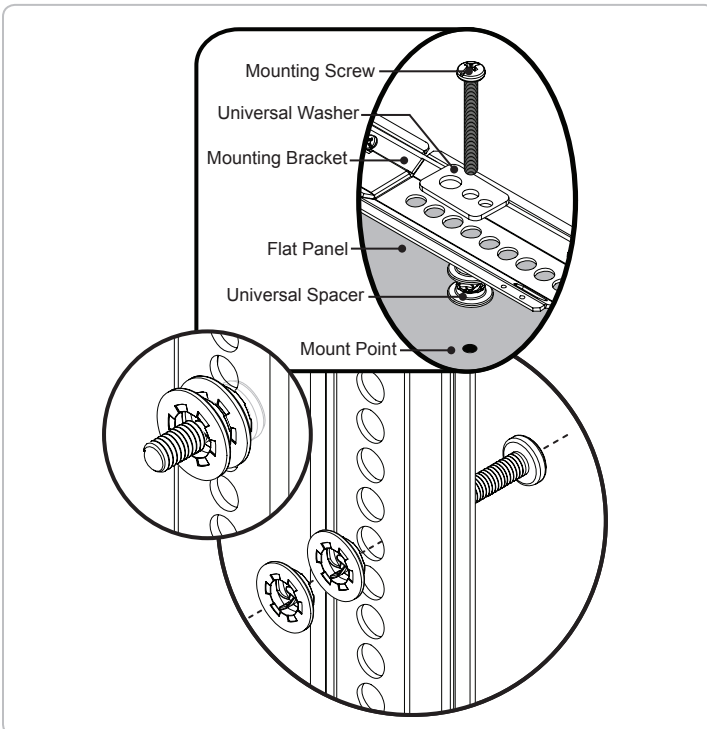
Does your flat-panel have:

- Recessed mount points?
- Uneven mount points?
- A curved back?
- Any obstruction near the mount point?

If **Yes**, you must install Universal Spacers. Remove the mounting brackets, Universal Washers, and mounting screws from the back of the flat-panel. Proceed to the “**Universal Spacer Installation**” section.

If **No**, skip to the “**Attaching the Mounting Bracket to the Flat-Panel**” section.

Universal Spacer Installation



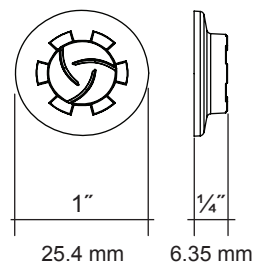
Universal Spacers allow you to attach the mounting bracket to flat-panels which have recessed or uneven mount points. Each Universal Spacer adds 1/4" (6.35 mm) to the distance between the mounting bracket and your flat-panel.



The Universal Spacers must be stacked and oriented as shown.



The Universal Spacers must only be installed between the mounting bracket and your flat-panel.

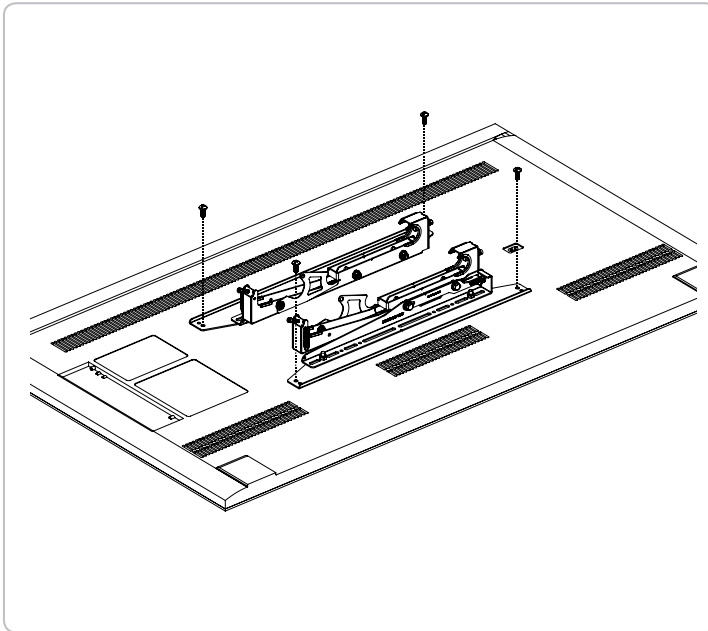


The Universal Spacers

Fit M4, M5, M6 and M8 screw sizes.



Attaching the Mount Bracket to the Flat-Panel



- 1) Place your flat-panel screen-side down on a soft, flat surface.
- 2) Identify the number and location of the thread inserts on the back of your flat-panel.
- 3) Aligning the holes on each mounting bracket with the thread inserts on the back of your flat-panel.
- 4) Secure each mounting bracket to your flat-panel by inserting a minimum of two (2) screws per bracket.



Do not overtighten the mounting hardware.

Attaching the Flat-Panel to the Mount

Mounting bracket adjustments are factory pre-set (see **Note**).

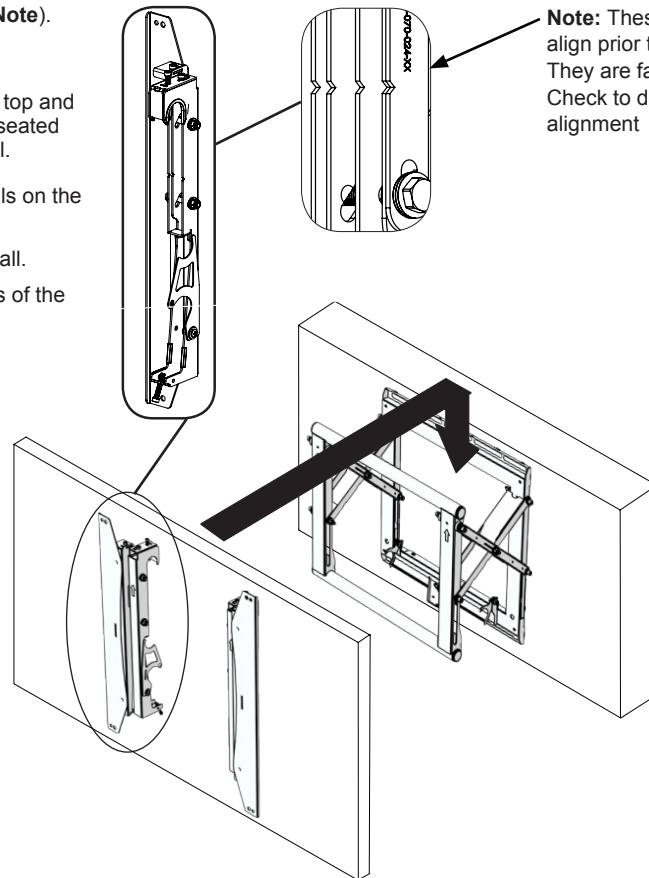
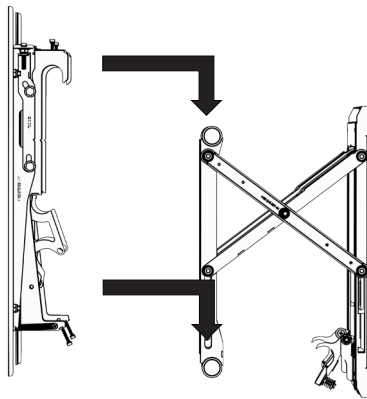


This section requires two people.



Do not release your flat-panel until you are certain that top and bottom hooks of both mounting brackets are securely seated on the upper and lower mounting rails of the wall panel.

- 1) Raise the flat-panel past the top and bottom mounting rails on the wall panel.
- 2) Slide the flat-panel down slowly, keeping it close to the wall.
- 3) Engage the top and bottom mounting brackets to the rails of the mount.

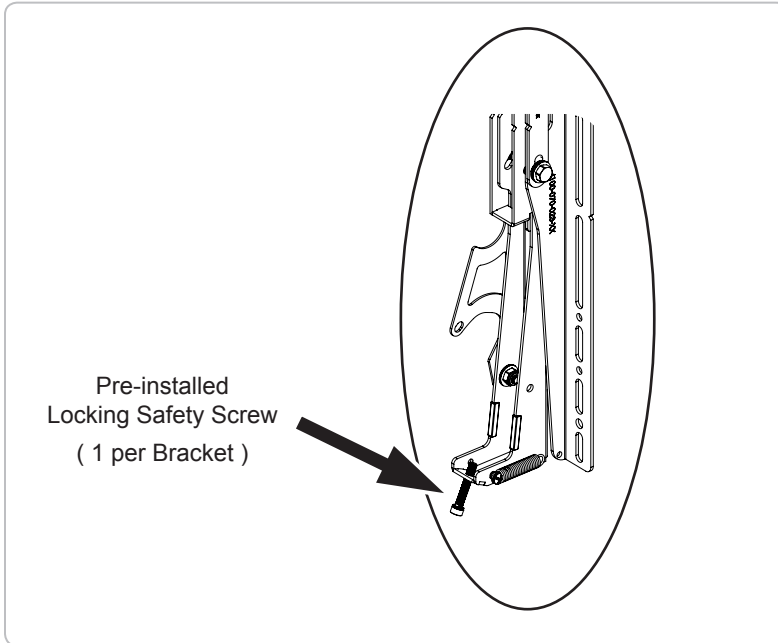



PFW 6875

Installation Guide

Installationsanleitung, Guía de Instalación, Guida de Installazione, Guide d'Installation, Installatie gids


Locking Safety Screw Installation



 The locking safety screws keep the flat-panel from being accidentally dislodged from the PFW 6875.

- 1) Locate the pre-installed security locking safety screw at the bottom of each of the mounting brackets.
- 2) Use the M5 Allen driver (supplied) to tighten the locking safety screw.

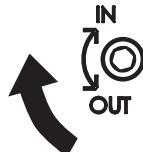
Note: Tighten screw to surface, then tighten 1/4" (6.35 mm) turn

 Do not overtighten the locking safety screws.

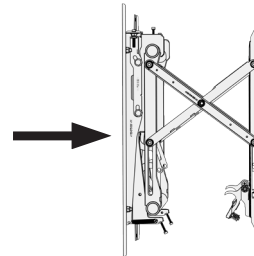
Move Inward



Left Control



Right Control



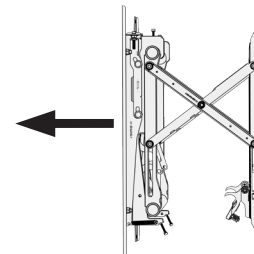
Move Outward



Left Control



Right Control



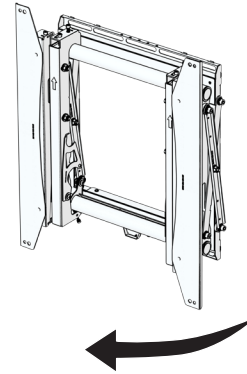
Tilt Left



Left Control



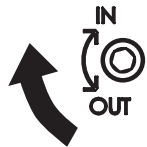
Right Control



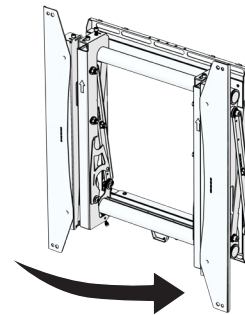
Tilt Right



Left Control



Right Control



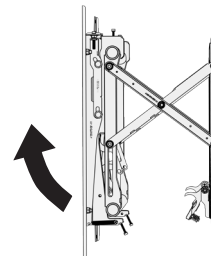
Tilt Up



Left Control



Right Control



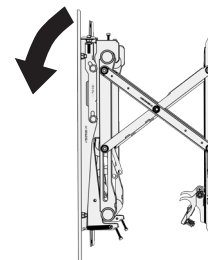
Tilt Down (from tilted-up position)



Left Control



Right Control

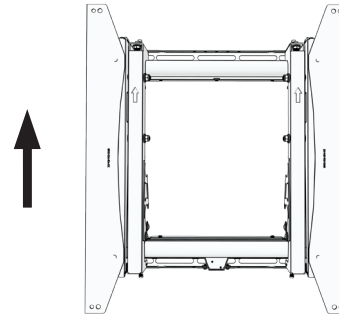


PFW 6875

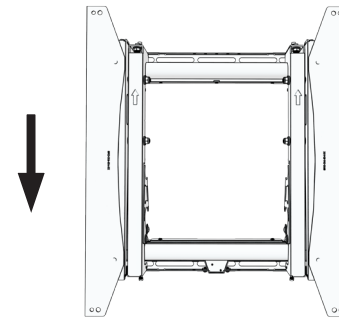
Installation Guide

Installationsanleitung, Guía de Instalación, Guida de Installazione, Guide d'Installation, Installatie gids

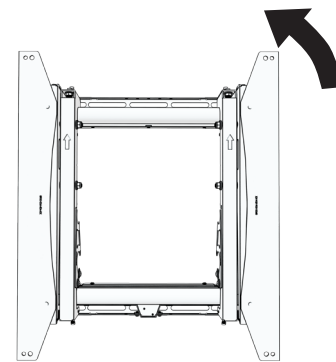
Level Up



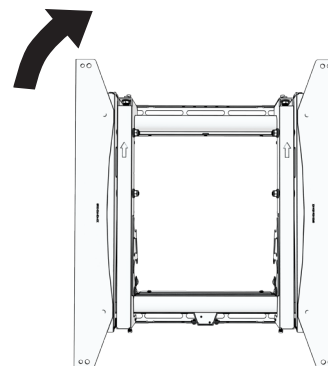
Level Down (from leveled up position)



Rotate Left



Rotate Right



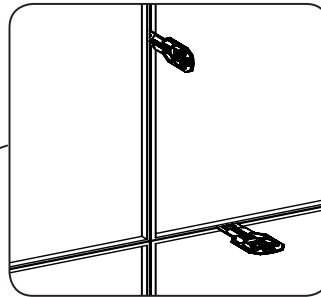
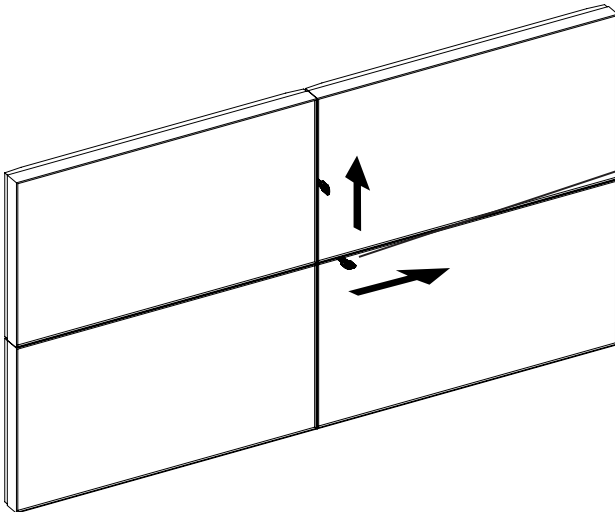
PFW 6875 Installation Guide

Installationsanleitung, Guía de Instalación, Guida de Installazione, Guide d'Installation, Installatie gids

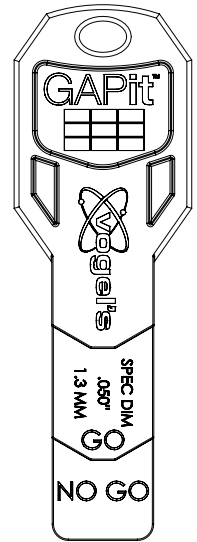
Use the **GAPit GO/No Go Gauge (supplied with model specific spacer)** as a final step in the process to inspect and adjust the gap to **prevent costly replacement and extend the lifespan of the displays.**



Damage happens when weight is transferred to the ultra-thin bezels of video wall installations, if the recommended gap specifications of .050" (1.27 mm) is not maintained vertically and horizontally. This results in image distortion, and costly repairs and replacement.



1. Swipe GAPit along vertical gap
2. Inspect for .050" (1.27 mm) gap & adjust if needed
3. Swipe GAPit along horizontal gap
4. Inspect for .050" (1.27 mm) gap & adjust if needed



PFW 6875

Installation Guide

Installationsanleitung, Guía de Instalación, Guida de Installazione, Guide d'Installation, Installatie gids

Servicing

- 1) Push evenly in the front of the PFW 6875 to release the single latch spring lock(Figure 1).
- 2) Slowly pull the front of the PFW 6875 to extend the scissor arms (Figure 2).
- 3) Loosen the locking safety screws on both mounting brackets.
- 4) Tilt up the bottom of the flat-panel, then set their kickstands against the bottom tubing of the mount (Figures 2 & 3).

You can now reach behind the flat-panel for maintenance and servicing or replacement. After servicing, make sure the spring lock is locked again in the mount's closed position.

Single Latch Spring Lock

