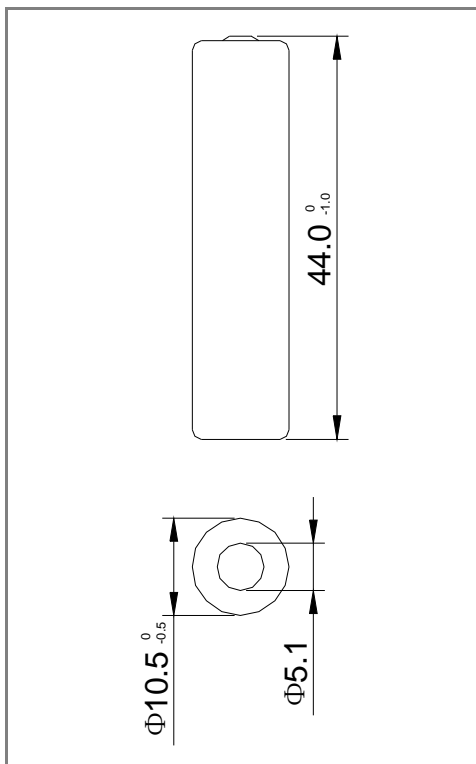
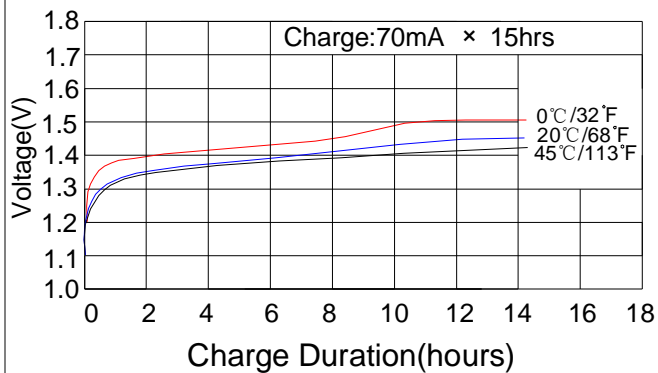


## H-AAA700B Specifications

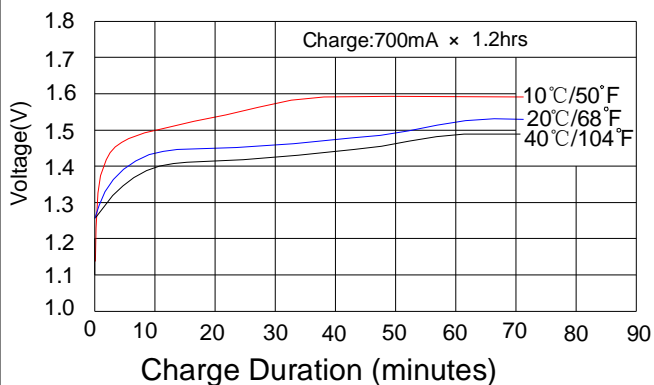


Nominal Capacity	700mAh
Nominal Voltage	1.2V
Internal Impedance (at 1000Hz)	< 35mΩ
<b>Charge</b>	
Standard Charge	70mA x 15h
Rapid Charge	700mA x 1.2h
Discharge Cut-off Voltage	1.0V
<b>Max Dimension (with tube)</b>	
Diameter	10.5mm
Height	44.0mm
Weight	14 g
<b>Operating Temperature</b>	
Charge	0 ~ 45°C
Discharge	-20 ~ 60°C
<b>Storage Temperature</b>	
Within 1 month	-5 ~ 35°C
Within 6 months	0 ~ 35°C

Standard charge characteristics



Fast charge characteristics



Discharge characteristics

