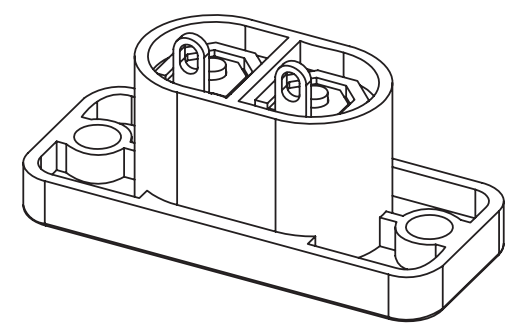
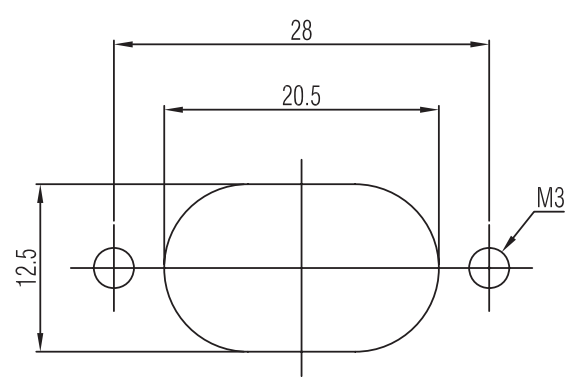
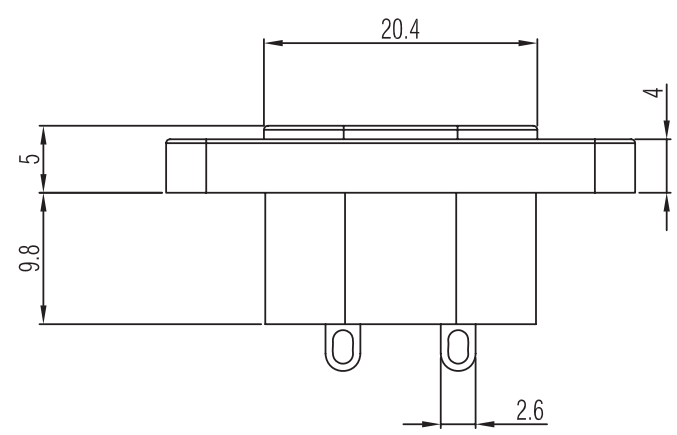
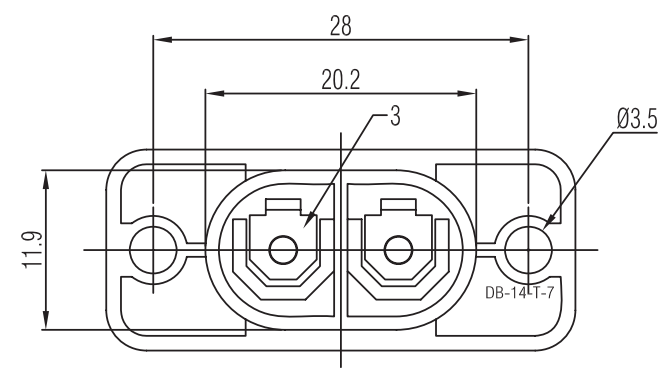
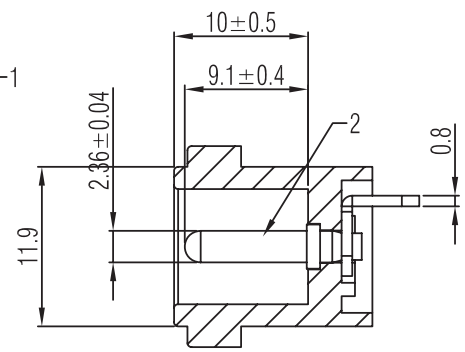
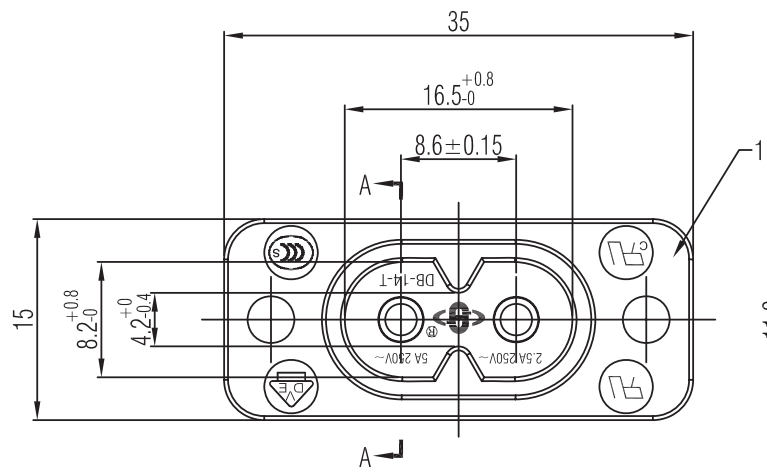


| ECN NO. | EDITION | DESCRIPTION |
|---------|---------|-------------|
| /       | V1.0    | NEW RELEASE |



|          |                              |
|----------|------------------------------|
| 供(通)用件登记 |                              |
| 插图       |                              |
| 插图校      |                              |
| 旧底图总号    |                              |
| 底图总号     | 5                            |
| 签字       | 3 Terminal 2pcs Cu Plated Sn |
|          | 2 Pin 2pcs Cu Plated Ni      |
|          | 1 Body 1pcs PA66             |
| 日期       |                              |
|          | NO. PART NAME QTY MATERIAL   |

东莞市衍惠电子有限公司

|    |              |
|----|--------------|
| 品名 | AC电源插座       |
| 料号 | DB-14-T-7-S1 |
| 制图 | XF.Zhao      |
| 日期 | 2012.03.10   |
| 审核 |              |
| 核准 |              |

普通公差(common tolerance):  
 0~10±0.15; 10~30±0.3; 30~100±0.5  
 角度(angular): ±5° 单位(unit):mm

|    |      |
|----|------|
| 比例 | FREE |
| 投影 |      |

衍惠电子有限公司  
YanHui electronic CO.,Ltd  
电源插座测试规范  
AC socket test specification

| 产品名称<br>Part NO.   | 文件编号<br>File NO.                          | 制订日期<br>Date of Making  | 版本<br>Editon | 页次<br>Page  |
|--|---|---|--------------|---|
| DB-14-T SERIES   | YH-SPEC-02                                | 2014. 04. 01  | series V1.0  | 1 of 3  |
| <p>1. 一般事项 General:</p> <p>1.1 适用范围 Application:<br/>本规格书主要适用于一般电子设备使用之交流电源插座。<br/>This specification is applied to the AC socket used in electronic equipment.</p> <p>1.2 测试标准状态 Standard atmospheric conditions:<br/>无特殊要求的情况下测试温度、湿度、大气压如下:<br/>Unless otherwise specified. the standard range of atmospheric conditions for making measurements and tests are as follows:<br/>(1) 温度为5~35℃.<br/>(2) 湿度为45%~85%.<br/>(3) 大气压为86Kpa~106kpa.</p> <p>2. 外观、结构及尺寸 Appearance construction and dimensions:</p> <p>2.1 外观 Appearance: 插座各处之加工须良好, 产品表面无生锈、刮伤、裂痕、电镀不良及镀层脱落等现象。<br/>AC socket shall have good finishing, and shall have no rust, crack or plating failure.</p> <p>2.2 使用环境surroundings condition: 使用中应避免插座表面与空气长时间接触及与油渍水溶剂接触。<br/>AC socket's surface shall avoid contact with oil sludge and shall not be exposed to the air for a long time.</p> <p>2.3 结构及尺寸要求 Construction and dimensions:<br/>见附图. See the figure.</p> <p>2.4 额定电流/电压Rated current/voltage<br/>5A/2.5A 250V AC</p> <p>3. 电气性能规格 Electronic characteristics:</p> |   |   |              |   |
| 项目 Property  |   | 测试条件 Test conditions  |              | 判定标准 Standards  |
| 3.1  | 接触阻抗<br>Contact resistance                | Measured at 5V DC 1 min (100mA or less)<br>以直流电压5V / 1分钟, 电流不超过100mA状态下进行测试.  |              | 30mΩ max.<br>30 mΩ 以下.  |
| 3.2  | 绝缘电阻<br>Insulation resistance             | 在端子与端子之间以及端子与本体之间施加500V DC / 60 ±5sec进行测试。<br>To be measured with an insulation resistance device of 500V DCbetween all the terminals and between the terminals and framefor60 ±5seconds. |              | 100MΩ min.<br>100MΩ 以上.   |
| 3.3  | 耐电压<br>Dielectric withstand strength test | 在端子与端子之间以及端子与本体之间施加2000V AC / 60 ±5sec进行测试。<br>AC 2000V being applied between all terminals and frame for 1min.   |              | 无绝缘破裂等异常, 漏电流为0.5mA.<br>Without damage to parts arcing or breakdown ETC. leakage current:0.5mA. |

| 产品名称<br>Part NO.                      | 文件编号<br>File NO.                            | 制订日期<br>Date of Making   | 版本<br>Editon | 页次<br>Page  |
|---------------------------------------|---|--|--------------|---|
| AC inlet                              | YH-SPEC-01                                  | 2014.04.01   | series V2.0  | 2 of 3  |
| 4. 机械性能规格 Mechanical characteristics: |   |  |              |   |
| 项目 Property                           |   | 测试条件 Test conditions   |              | 判定标准 Standards  |
| 4.1                                   | 插入力度<br>Inserting force                     | 使用标准的插头做10次插拔后测试。<br>Measurement shall be after connecting and disconnecting using standard plug gauge 10 times.   |              | 6kgf max.<br>最大6kgf.  |
| 4.2                                   | 拔出力度<br>Extracting force                    | 使用标准的插头做10次插拔后测试。 Measurement shall be after connecting and disconnecting using standard plug gauge 10 times.  |              | Between 1~5kgf. 1~5kgf 之间.                                    |
| 4.3                                   | 端子强度<br>Pull force of terminal              | 将样品置入70℃环境中并维持1小时，然后向插销垂直方向施加60N的力1分钟。 The specimen shall be heated to temperature of 70℃for 1H. then astatic load of 60N be applied to pins for one minute. |              | 端子移动量不可超过2.5mm. No movement exceeding 2.5mm.                  |
| 4.4                                   | 安装孔强度<br>Driving strength of mounting holes | 以9kg-cm的力将M3螺丝穿过产品安装孔并锁入模具螺孔内。<br>Using A self-tapping screw of M3 through the mounting holes and driving screws to the mold in a trogue.                    |              | 安装孔无破裂 No damage os appeared for holes.                       |
| 4.5                                   | 超声波强度<br>Ultrasonic weld force              | 沿超声波熔接之相反方向施加静负荷3kgf/1分钟。 A static load of 3kgf shall be applied in reverse of welding of cover for 1 minute.  |              | 盖板无脱落现象。 The cover shall not sustain any problem as breaking. |

5. 耐久性规格 Durability:

|     |                             |   |  |
|-----|-----------------------------|---|--|
| 5.1 | 可焊性测试<br>Solderability test | 端子顶部浸入温度为230℃±5℃的焊锡池中约2mm深，浸入时间为3±0.5秒。 The top of the terminals shall be dipped 2mm in the solder bath of 230℃±5℃ for 3±0.5seconds.<br>Measurement shall be after connecting and disconnecting using standard plug gauge 10 times. | 着焊面积不可小于75%。<br>The area of soldering should be over 75%.  |
| 5.2 | 寿命测试<br>Life test           | 在无负荷的状态下将与标准插头结合在一起的插座以1分钟10~25次的速度进行6000次的插入拔出。 Without load: connection and disconnection shall be made with the mating plugs and jacks for 6,000 cycles at a speed of 10~25cycles/min.   | 满足于机械、电气性能要求，接触电阻不大于60mΩ。 Mechanical and electrical characteristics shall be satisfied. Contact resistance shall be 60 mΩ max. |

| 产品名称<br>Part NO. |                                    | 文件编号<br>File NO.  | 制订日期<br>Date of Making | 版本<br>Editon | 页次<br>Page  |
|------------------|------------------------------------|---|------------------------|--------------|---|
| AC inlet         |                                    | YH-SPEC-01  | 2014.04.01             | series V2.0  | 3 of 3  |
| 5.3              | 耐焊性测试<br>Soldering heat resistance | 端子顶部浸入锡池中约2mm深, 焊锡温度和时间如下:<br>The top of the terminals shall be dipped 2mm, temperature and duration of dipping:  |                        |              | 本体及产品结构无变形并满足电气性能要求. No abnormalities shall be observed in appearance and operation. The electrical performance of the above item 3 shall be assured. |
|                  |                                    | 端子类型terminal type   | 温度temperature          | 时间time       |   |
|                  |                                    | 手焊式terminal of lead   | 350℃±5℃                | 3~5sec       |   |
|                  |                                    | 锡炉式dip soldering  | 260℃±5℃                | 5±0.5sec     |   |
| 5.4              | 耐热性<br>Dry proof                   | 将测试样品放置于80±2℃的环境中96小时后, 再置于常温常湿内1小时后进行测试.<br>The AC socket shall be stored at a temperature of 80±2℃ for 96H. and then it shall be subjected to the controlled recovery conditions for 1H after which measurement shall be made.  |                        |              | 接触电阻30mΩ以下。塑胶本体无变形或破裂。<br>Contact resistance 30mΩ max. Deformation or cracks shall not be recognized in molded part.                                  |
| 5.5              | 耐寒性<br>Cold proof                  | 将测试样品放置于-20±2℃的环境中96小时后, 再放置于常温常湿内1小时后进行测试.<br>The specimen shall be stored at a temperature of -20±2℃ for 96H. and then the specimen shall be subjected to the controlled recovery conditions for 1H, after which measurement shall be made..  |                        |              | 接触电阻30mΩ以下。塑胶本体无变形或破裂。<br>Contact resistance 30mΩ max. Deformation or cracks shall not be recognized in molded part.                                  |
| 5.6              | 耐潮湿性<br>Damp heat                  | 将测试样品放置于40±2℃/湿度90%~95%的环境中96小时后, 再放置于常温常湿内1小时后进行测试.<br>The specimen shall be stored at a temperature of 40±2℃ and Relative humidity of 90%~95 for 96H. and then the specimen shall be subjected to the controlled recovery conditions for 1H, after which measurement shall be made..  |                        |              | 接触电阻30mΩ以下。塑胶本体无变形或破裂。<br>Contact resistance 30mΩ max. Deformation or cracks shall not be recognized in molded part.                                  |
| 5.7              | 盐雾测试<br>Salt Spray Test            | 温度: 35±2℃ 盐水浓度: 5%±1, PH值: 6.5~7.2 时间24小时. 试验后须用水将产品表面冲洗干净, 然后置于室温内1小时后再检查产品外观. Temperature: 35±2℃ Salt Water: 5%±1 weight to concentration ratio, PH: 6.5~7.2 Time: 8Hrs. After test specimens shall be washed in running water and be stored under standard recovery condition for 1 hour. The specimens shall be visually inspected. |                        |              | 无明显氧化或生锈现象发生。<br>Without distinct rust.   |
|                  |                                    |   |                        |              |   |