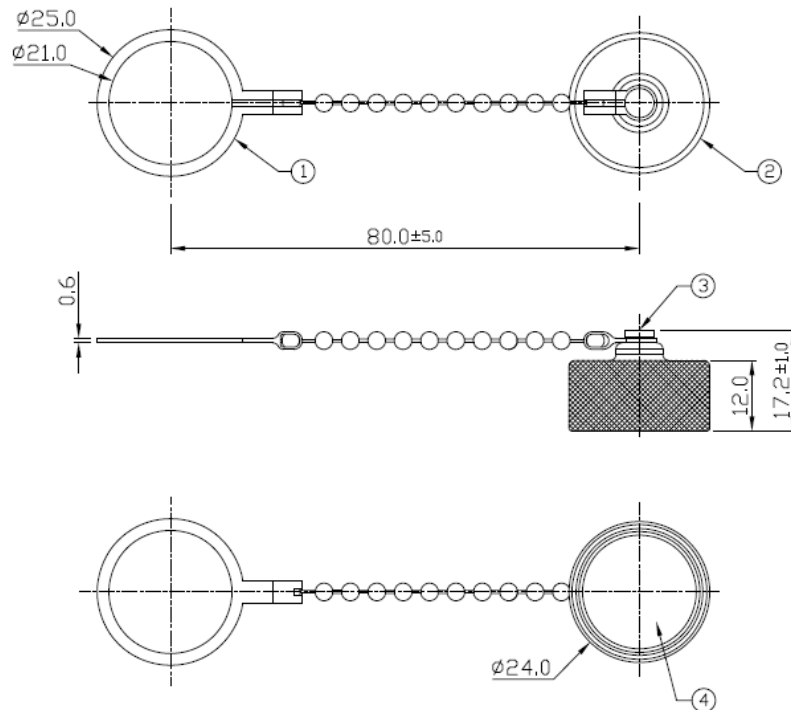


Cap, Metal for RJ45 /USB Metal Panel with Metal chain



GTC
R&D DEPT. ISSUE
AUG.08.2016
ONLY FOR
RELEASE

4	Rubber Pad	Silicone Color: Black	1
3	Metal Rivet	Copper Alloy Finish: Ni Plated	1
2	Metal Screw Cap	Copper Alloy Finish: Ni Plated	1
1	Metal Chain	SUS 304 Finish:-	1
Item	Part Name	Material / Finish	Qty