

Safety Instructions

1, 2, 3, 4, 5, 6, 7, 8, 9, 13, 19
28, 34



Info Hotline

+49 (0) 5041 998 389



Mon.- Do. 7⁰⁰-20⁰⁰
Fr. 7⁰⁰-17⁰⁰

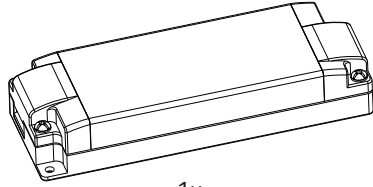
Paulmann Licht GmbH
Quezinger Feld 2
31832 Springe
Germany

www.paulmann.com

Art.-Nr.:
500.17



(+MA 0326)PKE 06/16



1x

Bluetooth Master Switch

INPUT: 220-240V~50Hz max.2.5A

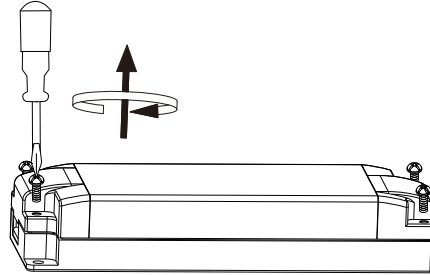
OUTPUT: 220-240V~50Hz

max.500W (Resistive Load)

max.75W (Capacitive Load)

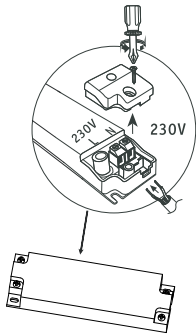


A



Safety Instructions
Nr. 1, 2, 4

B

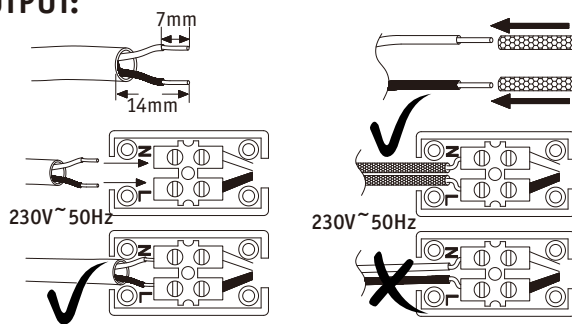


INPUT:

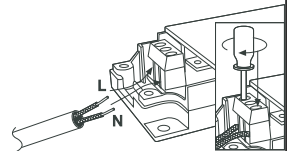
1.

2.

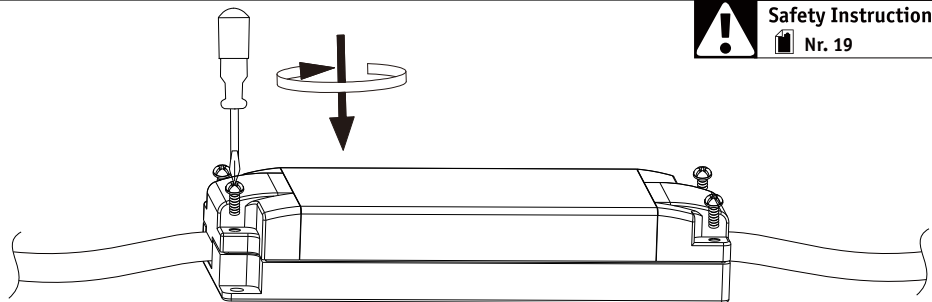
OUTPUT:



Safety Instructions
Nr. 4,5,6



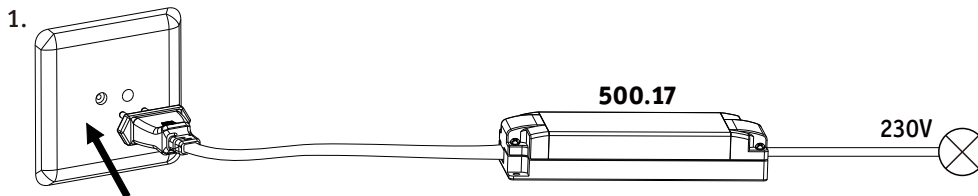
C



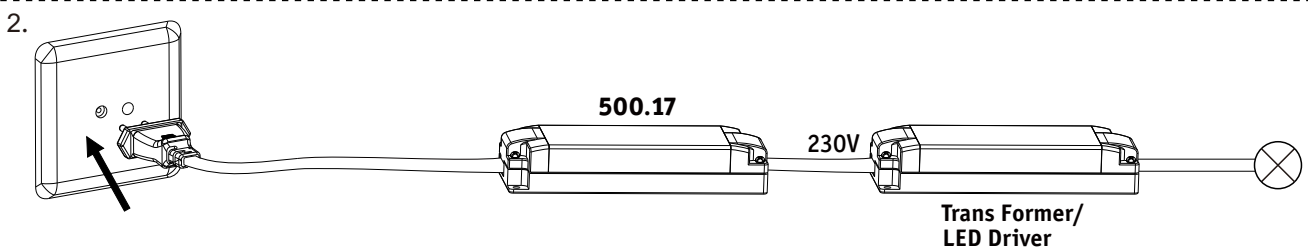
Safety Instructions
Nr. 19

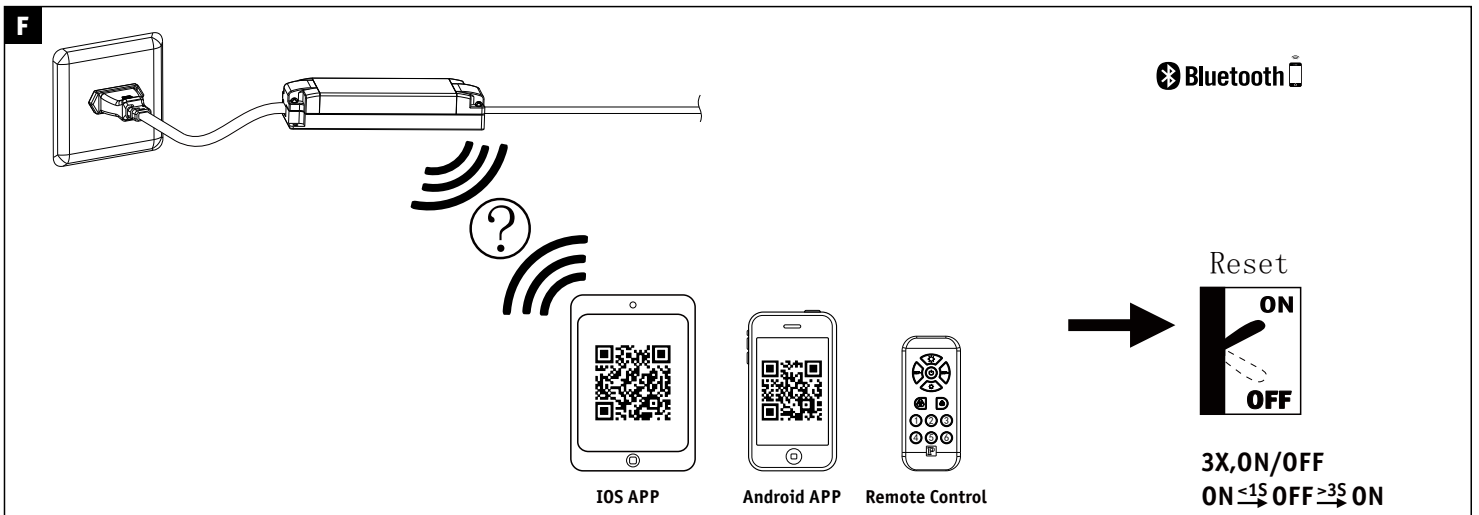
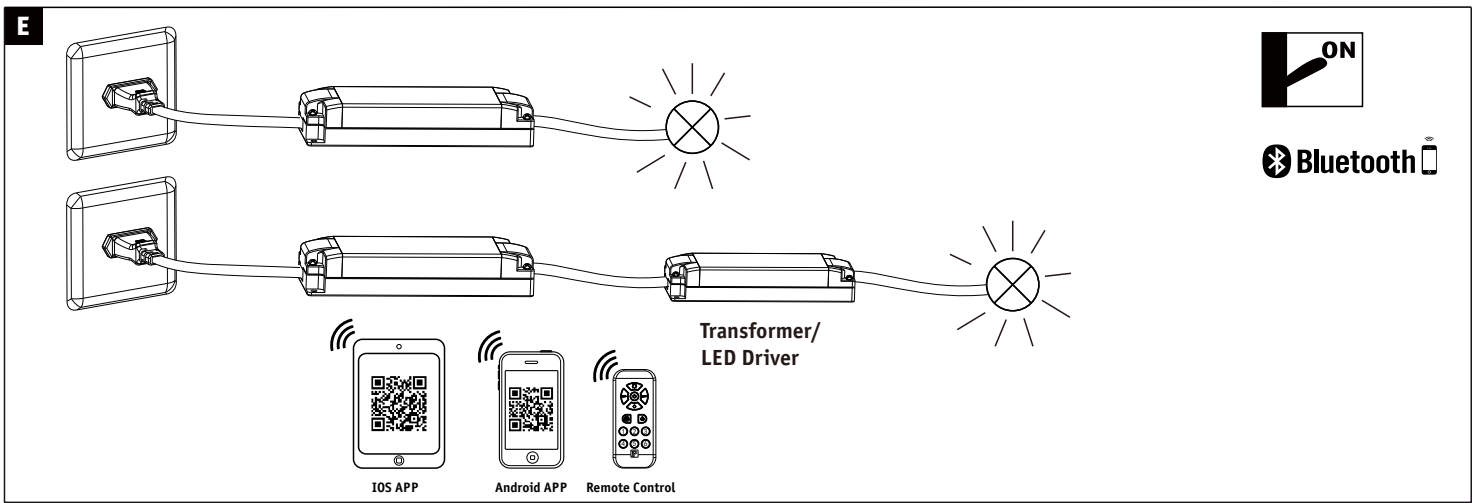


D



Safety Instructions
Nr. 19





G

Paulmann Home

IOS APP

Android APP

Not incl.

- iPad
- iPhone 4S Higher
- Android 4.4 Higher
- Bluetooth 4.0 Higher

Not incl. Remote Control

Paulmann
Art.-Nr.500.01

