

Safety Instructions

1, 2, 3, 4, 5, 6, 7, 8, 9, 13, 19
28, 29, 34



Info Hotline

+49 (0) 5041 998 389

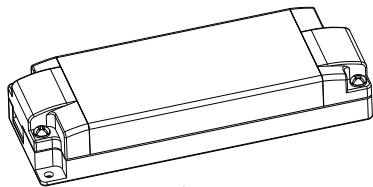


Mon.- Do. 7⁰⁰-20⁰⁰
Fr. 7⁰⁰-17⁰⁰

Paulmann Licht GmbH
Quezinger Feld 2
31832 Springe
Germany

www.paulmann.com

Art.-Nr.:
500.18



1x

Bluetooth Master Switch/Dimm

INPUT: 220-240V~50Hz max.2.5A

OUTPUT: 220-240V~50Hz

max.500W (Resistive Load)

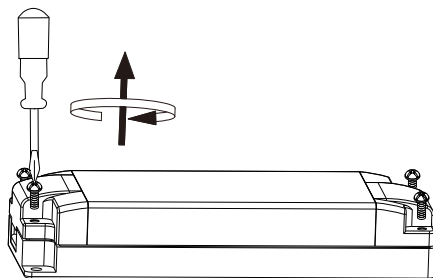
max.75W (Capacitive Load)



(+MA 0326)PKE 06/16

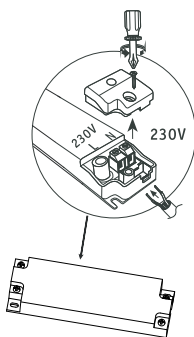


A



Safety Instructions
Nr. 1, 2, 4

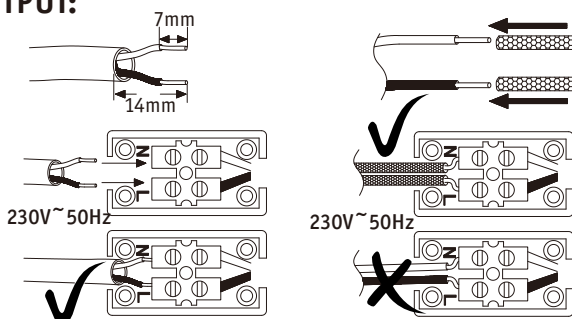
B



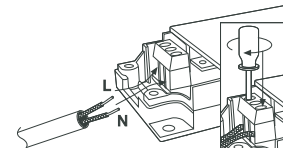
INPUT:
OUTPUT:

1.

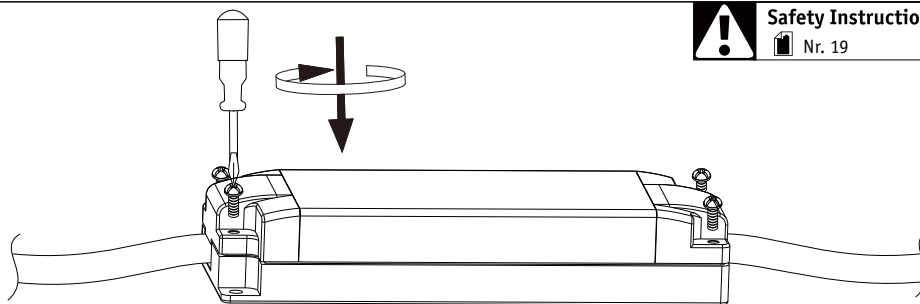
2.



Safety Instructions
Nr. 4,5,6



C

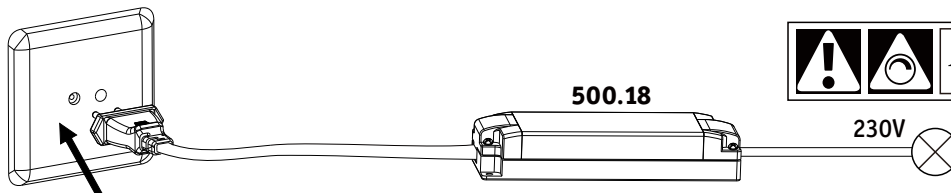


Safety Instructions
Nr. 19



D

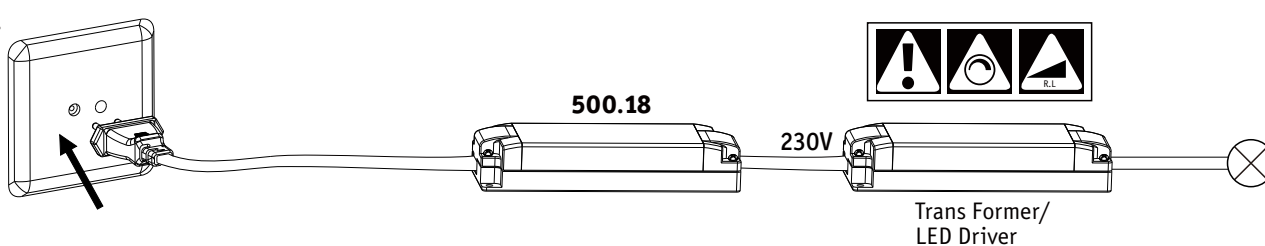
1.



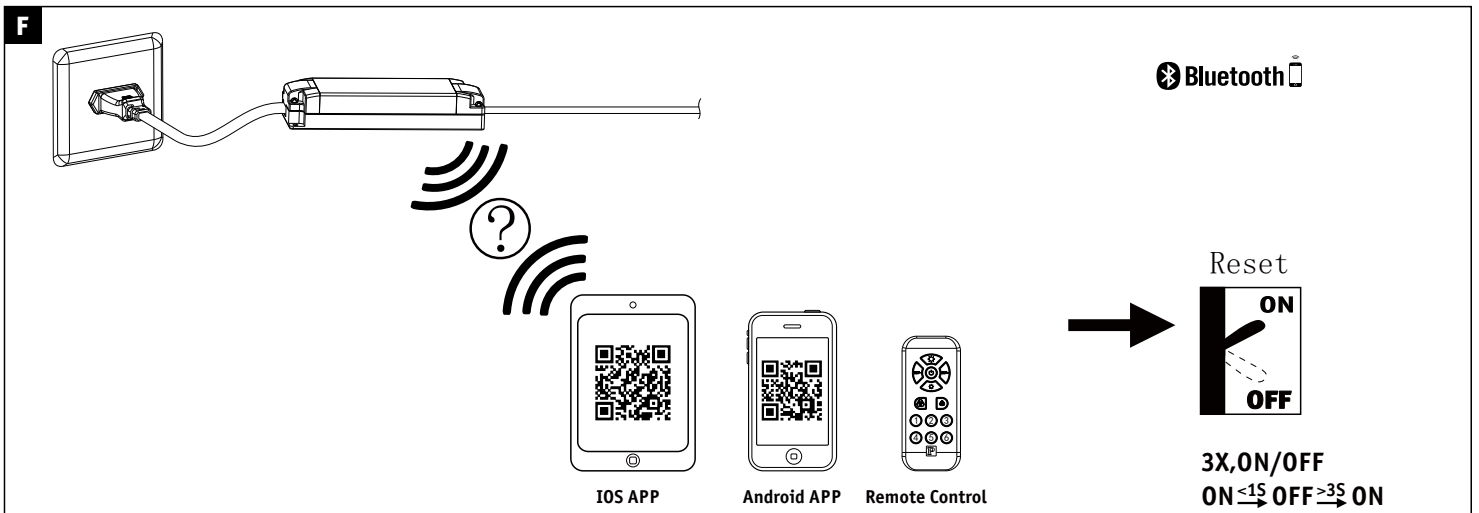
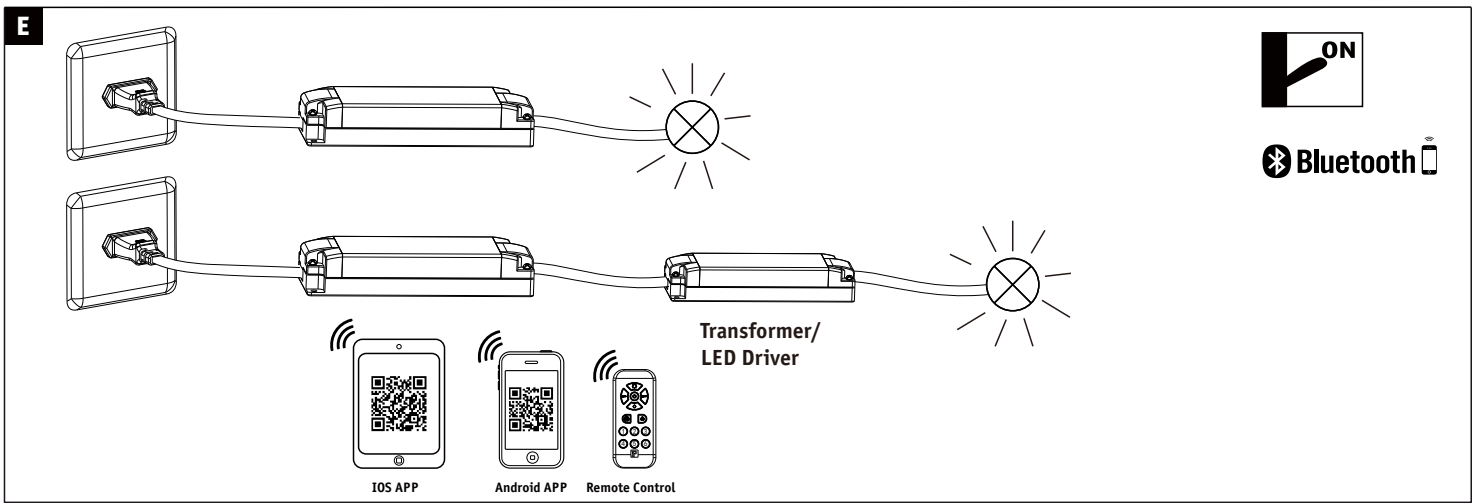
Safety Instructions
Nr. 19,30,32



2.



Trans Former/
LED Driver



G

Paulmann Home

IOS APP

Android APP

Not incl.

- iPad
- iPhone 4S Higher
- Android 4.4 Higher
- Bluetooth 4.0 Higher

Not incl. Remote Control

Paulmann Art.-Nr.500.01

