

FEATURES

- STANDARD EIA 0402 ~ 0603 CASE SIZES
- EFFECTIVE EM/RFI SUPPRESSION ≥ 1 GHz
- CURRENT RATINGS UP TO 200 mA
- HIGH IMPEDANCE OVER A WIDE FREQUENCY RANGE
- COMPATIBLE WITH AUTOMATIC PICK AND PLACE EQUIPMENT
- REFLOW SOLDERING APPLICABLE

RoHS Compliant
includes all homogeneous materials

*See Part Number System for Details

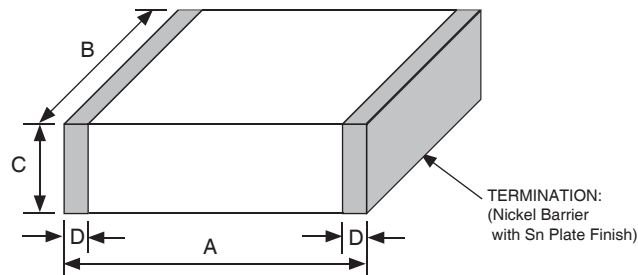
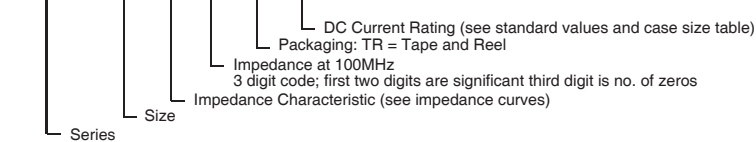
OPERATING TEMPERATURE RANGE: -55°C TO +125°C

EIA Size	NIC P/N	Impedance at 100MHz Ohms Ω	Impedance at 1GHz Ohms Ω	DC Resistance Max. (Ω)	DC Current Max. (mA)	A (mm)	B (mm)	C (mm)	D (mm)
0402	NCB-G0402G121TR030F	120	500	0.7	300	1.0 \pm 0.1	0.5 \pm 0.1	0.5 \pm 0.1	0.25 \pm 0.1
	NCB-G0402K181TR010F	180	400	1	100				
	NCB-G0402G221TR025F	220	900	1	250				
	NCB-G0402D221TR020F	220	400	0.6	200				
	NCB-G0402D301TR010F	300	400	1	100				
	NCB-G0402K301TR010F	300	600	1.1	100				
	NCB-G0402D471TR010F	470	500	1.2	100				
	NCB-G0402K471TR010F	470	900	1.3	100				
	NCB-G0402D601TR010F	600	700	1.5	100				
	NCB-G0402K601TR010F	600	1100	1.6	100				
	NCB-G0402U601TR010F	600	600	1.2	100				
	NCB-G0402D102TR005F	1000	900	1.8	50				
	NCB-G0402K102TR005F	1000	1200	1.8	50				
	NCB-G0402U102TR005F	1000	900	1.8	50				
0603	NCB-G0603U181TR020F	180	180	0.55	200	1.6 \pm 0.2	0.8 \pm 0.15	0.8 \pm 0.15	0.3 \pm 0.2
	NCB-G0603K301TR010F	300	400	1	100				
	NCB-G0603U301TR020F	300	300	0.75	200				
	NCB-G0603K471TR010F	470	700	1.2	100				
	NCB-G0603U471TR020F	470	400	0.85	200				
	NCB-G0603K601TR010F	600	850	1.5	100				
	NCB-G0603U601TR020F	600	450	1	200				
	NCB-G0603K102TR005F	1000	1100	1.8	50				
NCB-G0603U102TR010F	1000	750	1.6	100					

Note: Other values and case sizes available.

PART NUMBER SYSTEM

NCB-G 0603 K 301 TR 020 E



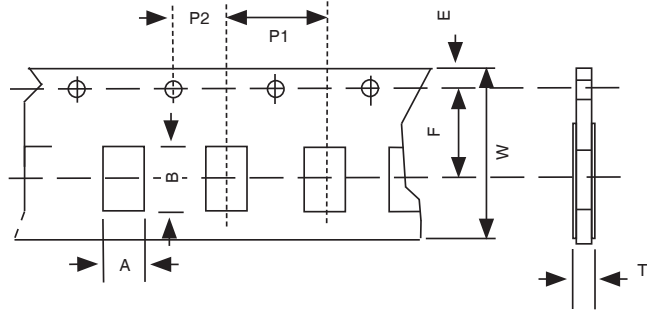
For Impedance (Z) over Frequency curves
see www.RFpassives.com



TAPE DIMENSIONS (mm)

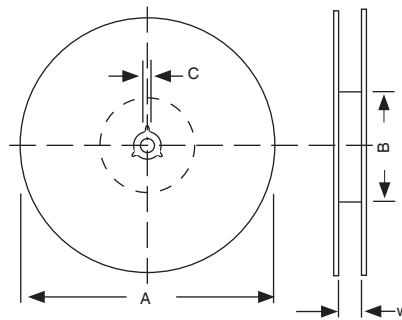
Dimensions	NCB-G0402 NCB-GH0402	NCB-G0603 NCB-GH0603
A	0.65	1.00
B	1.15	1.80
T	0.80	1.10
W	8.0 ± 0.3	
E	1.75 ± 0.1	
F	3.5 ± 0.05	
P1	2.0 ± 0.1	4.0 ± 0.1
P2	2.0 ± 0.05	
Chips/Reel	10,000	4,000

(PRESSED PAPER CARRIER)



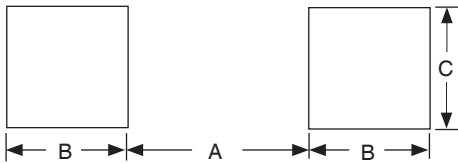
REEL DIMENSIONS

Dim	Size: 0402 & 0603
A	178 ± 2.0
B	58 ± 2.0
C	3.0 ± 0.1
W	9.0 ± 1.5



RECOMMENDED LAND PATTERN (mm)

Size	A	B	C
0402	0.45 ~ 0.55	0.40 ~ 0.50	0.45 ~ 0.55
0603	0.60 ~ 0.80	0.60 ~ 0.80	0.60 ~ 0.80



REFLOW SOLDERING PROFILE

