

STANLEY

SXWTI-MT515

STANLEY MT515 Multi Truck 200kg/250kg

ASSEMBLY INSTRUCTION

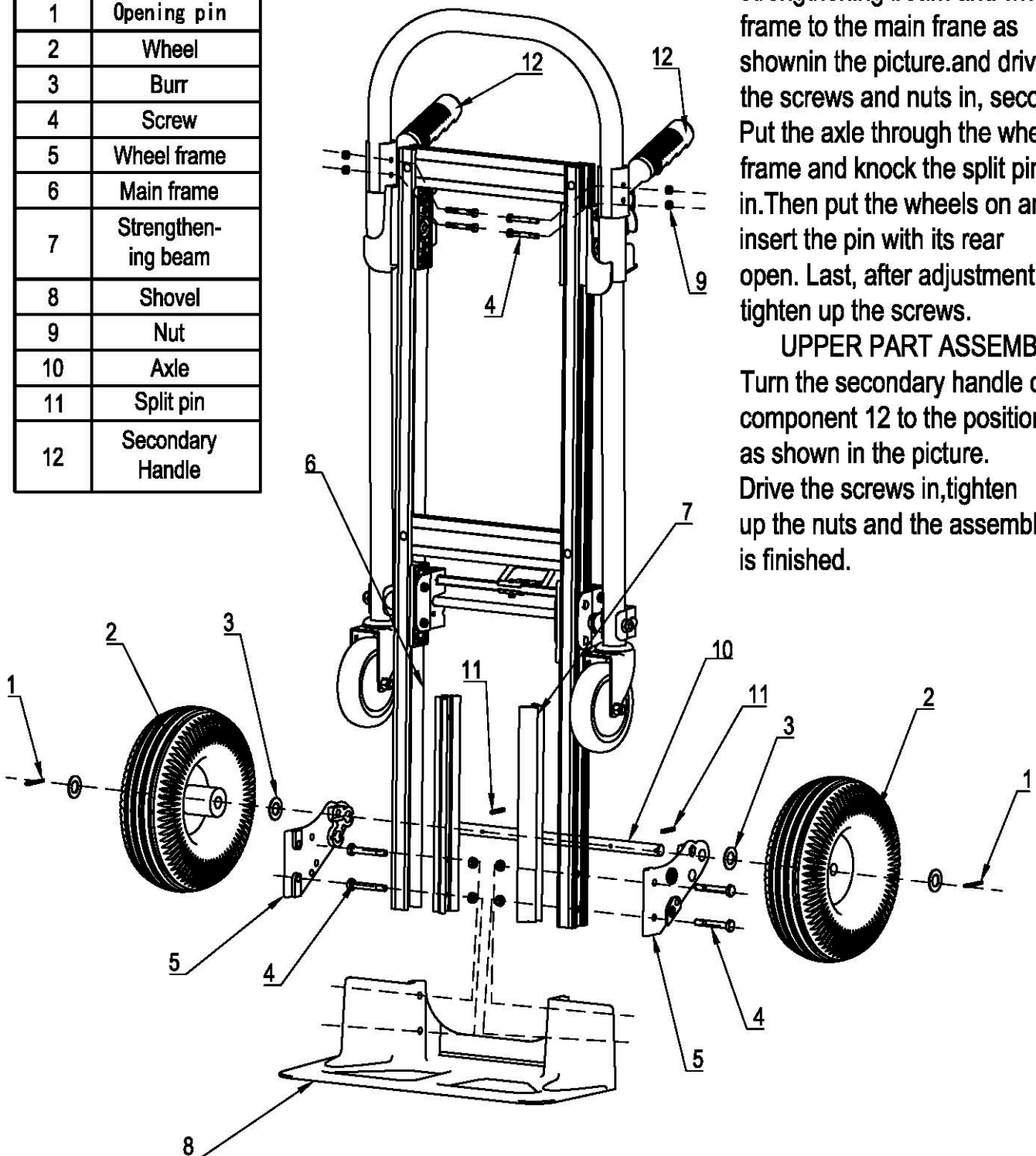
LOWER PART ASSEMBLY:

First, assemble the shovel, strengthening beam and wheel frame to the main frame as shown in the picture and drive the screws and nuts in, second. Put the axle through the wheel frame and knock the split pin in. Then put the wheels on and insert the pin with its rear open. Last, after adjustment, tighten up the screws.

UPPER PART ASSEMBLY:

Turn the secondary handle of component 12 to the position as shown in the picture. Drive the screws in, tighten up the nuts and the assembly is finished.

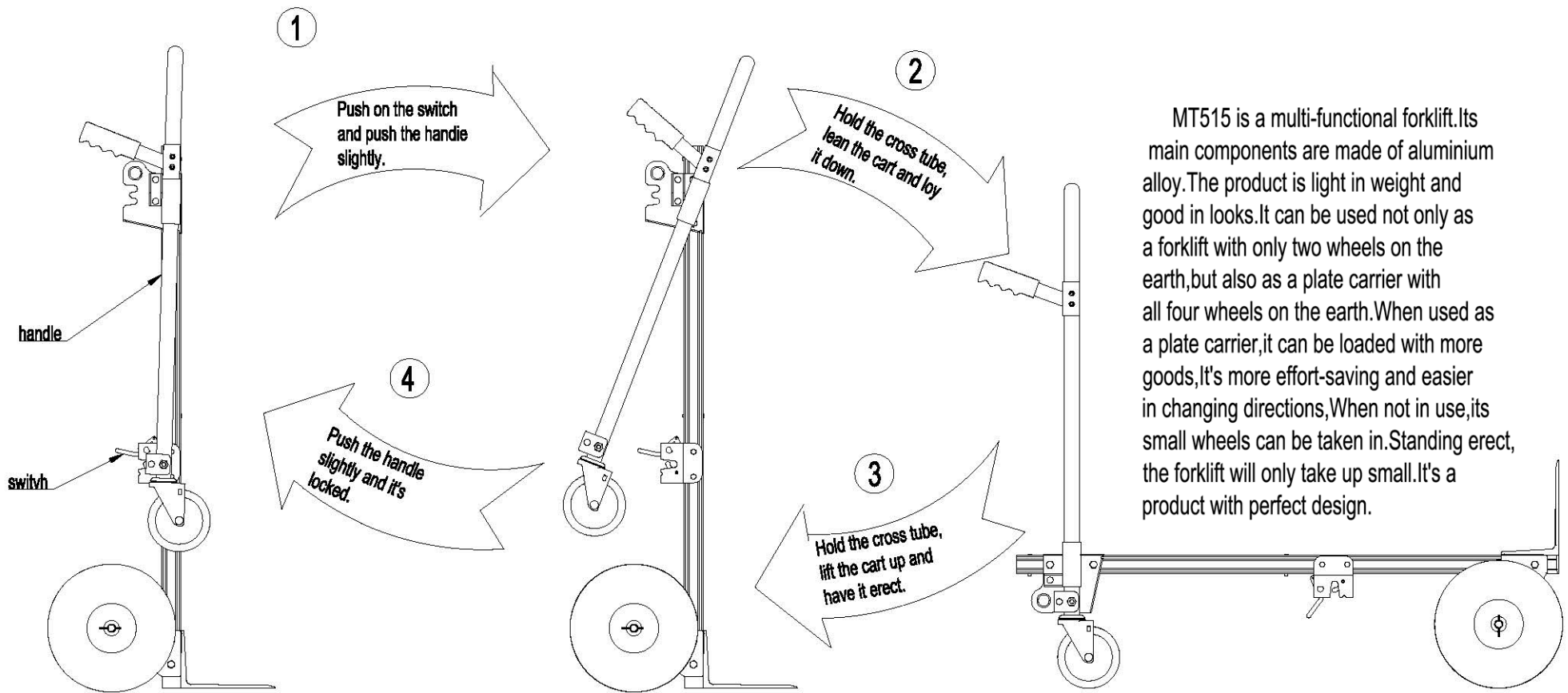
Serial Number	Appellation
1	Opening pin
2	Wheel
3	Burr
4	Screw
5	Wheel frame
6	Main frame
7	Strengthening beam
8	Shovel
9	Nut
10	Axle
11	Split pin
12	Secondary Handle



STANLEY

SXWTI-MT515

STANLEY MT515 Multi Truk 200kg/250kg



MT515 is a multi-functional forklift. Its main components are made of aluminium alloy. The product is light in weight and good in looks. It can be used not only as a forklift with only two wheels on the earth, but also as a plate carrier with all four wheels on the earth. When used as a plate carrier, it can be loaded with more goods, it's more effort-saving and easier in changing directions. When not in use, its small wheels can be taken in. Standing erect, the forklift will only take up small. It's a product with perfect design.