

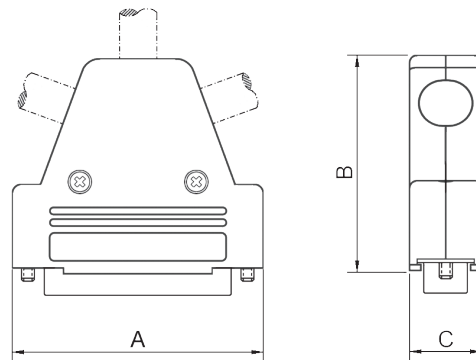
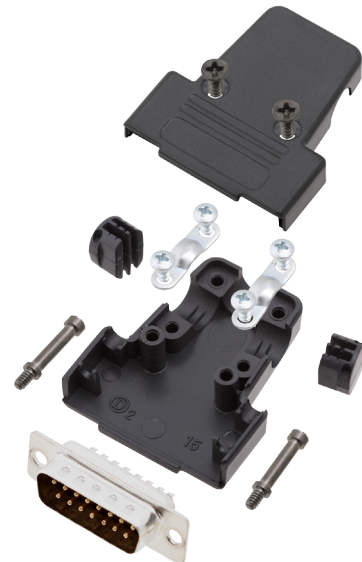
## TECHNICAL SPECIFICATIONS

**D-Sub Hood:**

|                               |                            |
|-------------------------------|----------------------------|
| <b>Material:</b>              | UL 94 V-0 Plastic Material |
| <b>Operating Temperature:</b> | -55°C to +110°C            |
| <b>Cable Entry:</b>           | Side / Top / Side          |
| <b>Thumbscrews:</b>           | UNC 4-40 (Standard)        |
| <b>Cable O.D.:</b>            | Up to 11,5mm               |
| <b>Colour:</b>                | Black                      |

**Male D-Sub Solder Cup:**

|                                  |                            |
|----------------------------------|----------------------------|
| <b>Insulator:</b>                | PBT, Black, UL94 V-0       |
| <b>Shell:</b>                    | Steel, Tin Plated          |
| <b>Contact pins:</b>             | Copper Alloy               |
| <b>Stamped &amp; Formed Pins</b> | Class 3, 100 inserts min.  |
| <b>Machined Contact Pins:</b>    | Class 1, 500 inserts min.  |
| <b>Contact Plating:</b>          | Selective Gold over Nickel |
| <b>Operating Temperature:</b>    | -55°C to +105°C            |
| <b>Withstanding voltage:</b>     | 1000V for 1 minute         |
| <b>Insulator resistance:</b>     | 1000MΩ min.                |



D-Sub-Hood

**Features:**

- Available in sizes 9-15-25-37
- All sizes feature 3-Way Entry solution
- Re-openable
- Supplied with 2 Blanking Plates and 2 Strain Relief clamps.

| Size TRI-P | Dim A | Dim B | Dim C |
|------------|-------|-------|-------|
| 9-way      | 31,0  | 45,2  | 15,0  |
| 15-way     | 40,3  | 45,2  | 15,0  |
| 25-way     | 53,5  | 45,2  | 15,0  |
| 37-way     | 70,0  | 45,2  | 15,0  |

**Ordering information:****Class 3 D-Sub Connector Kits (100 inserts min.)**

| Size:  | P/N - Kitted: | Product Code - MALE Conn. Kit |
|--------|---------------|-------------------------------|
| 9-way  | 6355-0036-01  | TRI-P-09-DBP-K                |
| 15-way | 6355-0036-02  | TRI-P-15-DBP-K                |
| 25-way | 6355-0036-03  | TRI-P-25-DBP-K                |
| 37-way | 6355-0036-04  | TRI-P-37-DBP-K                |

**Ordering information:****Class 1 D-Sub Connector Kits (500 inserts min.)**

| Size:  | P/N - Kitted: | Product Code - MALE Conn. Kit |
|--------|---------------|-------------------------------|
| 9-way  | 6355-0037-01  | TRI-P-09-DMP-K                |
| 15-way | 6355-0037-02  | TRI-P-15-DMP-K                |
| 25-way | 6355-0037-03  | TRI-P-25-DMP-K                |
| 37-way | 6355-0037-04  | TRI-P-37-DMP-K                |